



AGRICULTURAL PRODUCT

Catalogue

Edition 4



B-BBEE 2
EMPOWERING SUPPLIER

ISO 9001	Certified
ISO 14001	Certified
ISO 45001	Certified

ABOUT US

Established in 1974 as a single bearing shop in Durban, South Africa; BMG's aggressive growth strategy has included acquisitions, supplemented by a steady organic growth discipline. BMG attracts best-of-breed talent resulting in technical expertise that differentiates BMG in the industry. Staff are truly part of the BMG family and its success.

BMG boasts an accredited in-house technical and commercial training academy which fosters a culture of staff development and career advancement; it's all about sustainability.

The net result, is a company that reliably supplies and supports 70 000 customers in 9 countries with the widest range of industrial engineered products and expert services in Africa via 88 branches.

BMG is positioned to deliver bespoke 360 degree solutions to its customers, and subsequently return on investment to its investors and shareholders. BMG plays a pivotal role in supporting the productivity and production targets of all Industrial, Manufacturing, Mining and Agricultural sectors of the economies in the countries it serves. With an enviable reputation as Africa's largest distributor, manufacturer and service provider of the highest quality engineering consumables and components; including

- Bearings & Seals
- Power Transmission Components
- Drives, Motors and Controllers
- Hydraulics, Pneumatics and Filtration
- Heavy and Light Duty Materials Handling
- Valves and Lubrication
- Fasteners, Gaskets and Tools

BMG is a level 2 BEE contributor with ISO 9001 Quality Assurance certification. Health and safety of its employees and customers is a paramount focus and the company adheres to ISO 45001. BMG is also committed to environmental care and sustainability and strictly follows the ISO 14001 charter.

As a key contributor to the Invicta Holdings stable, BMG has played a major part in Invicta's unique achievement of being rated in South Africa's Top 100 Companies for 21 consecutive years.



AGRICULTURAL BEARINGS

CONTENTS

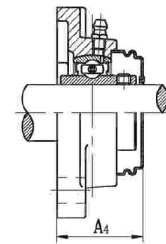
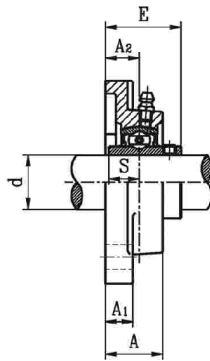
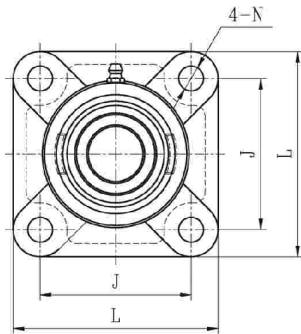
Imperial Bearing Units - Quick Reference	128
Pillow Blocks	129
Square Flange Units	130
Oval Flange Units	131
Pressed - Steel Oval Flange Units	132
Pressed Housing Round Flange Units	133
Take-up Units	134
Tri-Ply Series/Disc Harrow Bearing Units	135
Ball Bearing Inserts	136-137
Farm Implement Ball Bearings	138
Ball Bearing Inserts	139
Deep Groove Ball Bearings 600 & 1600 Series	140
Deep Groove Ball Bearings (Duplex) 6000 Series	141-144
Imperial Deep Groove Ball Bearings RLS and RMS Series	145
Angular Contact Ball Bearings (Duplex) 3200 & 3300 Series	146
Angular Contact Ball Bearings (Double) 4200 & 4300 Series	147
Angular Contact Ball Bearings (Duplex) 5200 & 5300 Series	148
Angular Contact Ball Bearings 7200 & 7300 Series	149
Thrust Ball Bearings 51100 Series	150
Thrust Ball Bearings 51200 Series	151
Tapered Roller Bearings	152-162
Agricultural Bearings & Spares	163-171
Agri Hub for Seeding Discs	172
Plummer Block Application	173-176
Tractor Wheel Bearing Kits	177
Cross References	178



IMPERIAL BEARING UNITS - QUICK REFERENCE

SHAFT SIZE		BEARING No.	
Imperial (in)	Metric (mm)		
5/8"	/ 0.625	15.87	UC 202-10
3/4"	/ 0.750	19.05	UC 204-12
7/8"	/ 0.875	22.22	UC 205-14
11/16"	/ 0.687	17.46	UC 203-11
15/16"	/ 0.937	23.81	UC 205-15
1"	/ 1.000	25.40	UC 205-16
1 1/8"	/ 1.125	28.575	UC 206-18
1 3/16"	/ 1.187	30.15	UC 206-19
1 1/4"	/ 1.250	31.75	UC 206-20 / UC 207-20
1 5/16"	/ 1.312	33.32	UC 207-21
1 3/8"	/ 1.375	34.925	UC 207-22
1 7/16"	/ 1.437	36.4998	UC 207-23
1 1/2"	/ 1.500	38.1	UC 208-24
1 9/16"	/ 1.562	39.6748	UC 208-25
1 5/8"	/ 1.625	41.275	UC 209-26
1 11/16"	/ 1.687	42.8598	UC 209-27
1 3/4"	/ 1.750	44.45	UC 209-28
1 7/8"	/ 1.875	47.625	UC 210-30
1 15/16"	/ 1.937	49.1998	UC 210-31
2"	/ 2.000	50.80	UC 211-32
2 1/8"	/ 2.125	53.915	UC 211-34
2 3/16"	/ 2.187	55.5498	UC 211-35
2 1/4"	/ 2.250	57.15	UC 212-36
2 3/8"	/ 2.375	60.325	UC 212-38
2 7/16"	/ 2.437	61.8998	UC 212-39
2 1/2"	/ 2.500	63.50	UC 213-40
2 11/16"	/ 2.687	68.2498	UC 213-43
2 3/4"	/ 2.750	69.85	UC 214-44
3"	/ 3.000	75.20	UC 215-48
3 1/8"	/ 3.125	79.375	UC 216-50
3 1/4"	/ 3.250	82.55	UC 217-52
3 1/2"	/ 3.500	88.90	UC 218-56

SQUARE FLANGE UNITS

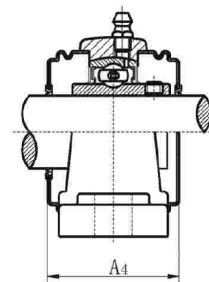
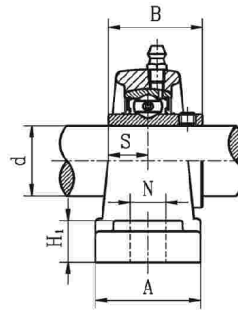
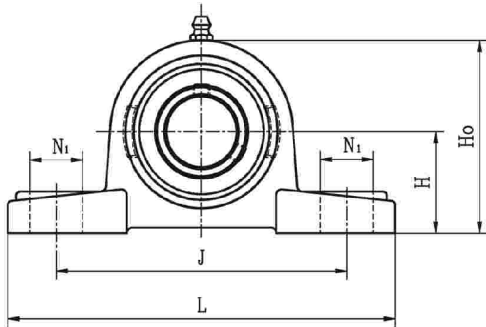


UCF2
Setscrew Type

S-UCF200E1
SM-UCF200E1

Unit No.	Shaft Dia.		Dimensions (mm)										Bolt Size	Bearing No.	Housing No.	Mass (kg)	Available
	d		L	J	A ₂	A ₁	A	E	N	S	A ₄						
	(in.)	(mm)										N					
UCF201S 201-8S 202 202-10S 203S 203-11S	1/2 5/8 11/16	12 15 17	76	54	15	11	24.5	30.9	11.5	11.5	--	M10	UC201S 201-8S 202S 202-10S 203S 203-11S	F203	0.52	--	
UCF201 201-8 202 202-10 203 203-11 204-12 204	1/2 5/8 11/16 3/4	12 15 17 20	86	64	15	11	25.5	33.3	11.5	12.7	37.5	M10	UC201 201-8 202 202-10 203 203-11 204-12 204	F204	0.64	12	
UCF205-14 205-15 205 205-16	7/8 15/16 1	25	95	70	16	13	27	35.7	11.5	14.3	40	M10	UC205-14 205-15 205 205-16	F205	0.80	12	
UCF206-18 206 206-19 206-20	1-1/8 1-3/16 1-1/4	30	108	83	18	13	31	40.2	11.5	15.9	44	M10	UC206-18 206 206-19 206-20	F206	1.07	12	
UCF207-20 207-21 207-22 207 207-23	1-1/4 1-5/16 1-3/8 1-7/16	35	117	92	19	15	34	44.4	14	17.5	48.5	M12	UC207-20 207-21 207-22 207 207-23	F207	1.40	--	
UCF208-24 208-25 208	1-1/2 1-9/16	40	130	102	21	15	36	51.2	14	19	55	M12	UC208-24 208-25 208	F208	1.80	16	
UCF209-26 209-27 209-28 209	1-5/8 1-11/16 1-3/4	45	137	105	22	16	38	52.2	16	19	57	M14	UC209-26 209-27 209-28 209	F209	2.20	--	
UCF210-30 210-31 210	1-7/8 1-15/16	50	143	111	22	16	40	54.6	18	19	60	M16	UC210-30 210-31 210	F210	2.40	16	
UCF211-32 211-34 211 211-35	2 2-1/8 2-3/16	55	162	130	25	18	43	58.4	18	22.2	64	M16	UC211-32 211-34 211 211-35	F211	3.50	19	
UCF212-36 212 212-38 212-39	2-1/4 2-3/8 2-7/16	60	175	143	29	18	48	68.7	18	25.4	74.5	M16	UC212-36 212 212-38 212-39	F212	4.20	19	
UCF213-40 213	2-1/2	65	187	149	30	22	50	69.7	18	25.4	79	M16	UC213-40 213	F213	5.30	19	
UCF214-44 214	2-3/4	70	193	152	31	22	54	75.4	18	30.2	--	M16	UC214-44 214	F214	5.90	19	
UCF215-47 215 215-48	2-15/16 3	75	200	159	34	22	56	78.5	18	33.3	--	M16	UC215-47 215 215-48	F215	6.30	19	
UCF216		80	208	165	34	22	57	83.3	22	33.3	--	M20	UC216	F216	7.30	23	
UCF217-52 217	3-1/4	85	220	175	36	24	63	87.6	23	34.1	--	M20	UC217-52 217	F217	8.90		
UCF218-56 218	3-1/2	90	235	187	40	25	68	96.3	23	39.7	--	M20	UC218-56 218	F218	11.6		
UCF220 220-64	4	100	265	210	44	25	70	110	27	42	--	M22	UC220 220-64	F220			

PILLOW BLOCKS



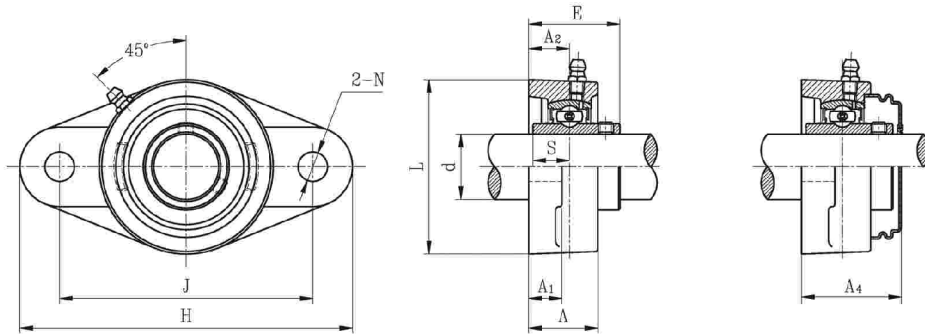
UCP2
Setscrew Type

S-UCP200E1
SM-UCP200E1

Unit No.	Shaft Dia.		Dimensions (mm)												Bolt Size	Bearing No.	Housing No.	Mass (kg)	Available	
	d		H	L	J	A	N	N _i	H ₁	H ₀	S	B	A ₄	N					N _i	
	(in.)	(mm)																		
UCP201S 201-8S 202 202-10 203 203-11	1/2 5/8 11/16	12 15 17	30.2	125	96	32	12	16	13	57	11.5	27.4	--	M10	UC201S 201-8S 202S 202-10S 203S 203-11S	P203S	0.6	--	--	
UCP201 201-8 202 202-10 203 203-11	1/2 5/8 11/16	12 15 17	30.2	127	96	37	13	19	14	60.7	12.7	31	--	M10	UC201 201-8 202 202-10 203 203-11	P203	0.65	--	--	
UCP204-12 204	3/4	20	33.3	127	96	37	13	16	14	63.8	12.7	31	45	M10	UC204-12 204	P204	0.65	13	19	
UCP205-14 205-15 205 205-16	7/8 15/16 1	25	36.5	140	105	38	13	19	15	69.5	14.3	34	48	M10	UC205-14 205-15 205 205-16	P205	0.72	--	--	
UCP206-18 206 206-19 206-20	1-1/8 1-3/16 1-1/4	30	42.9	160	121	44	14	19	16	82	15.9	38.1	52	M12	UC206-18 206 206-19 206-20	P206	1.15	17	21	
UCP207-20 207-21 207-22 207 207-23	1-1/4 1-5/16 1-3/8 1-7/16	35	47.6	167	126	48	15	19	17	92	17.5	42.9	59	M12	UC207-20 207-21 207-22 207 207-23	P207	1.53	17	21	
UCP208-24 208-25 208	1-1/2 1-9/16	40	49.2	180	136	52	15	21	18	98	19	49.2	68	M12	UC208-24 208-25 208	P208	1.88	17	23	
UCP209-26 209-27 209-28 209	1-5/8 1-11/16 1-3/4	45	54	189	146	54	15	21	20	105.5	19	49.2	70	M12	UC209-26 209-27 209-28 209	P209	2.1	17	23	
UCP210-30 210-31 210	1-7/8 1-15/16	50	57.2	204	159	57	19	22	21	112.2	19	51.6	75	M16	UC210-30 210-31 210	P210	2.5	--	--	
UCP211-32 211-34 211 211-35	2 2-1/8 2-3/16	55	63.5	217	172	60	19	22	22	124.5	22.2	55.6	78	M16	UC211-32 211-34 211 211-35	P211	3.3	--	--	
UCP212-36 212 212-38 212-39	2-1/4 2-3/8 2-7/16	60	69.9	238	186	66	19	25	24	137	25.4	65.1	91	M16	UC212-36 212 212-38 212-39	P212	5.5	--	--	
UCP213-40 213	2-1/2	65	76.2	262	203	70	23	29	26	149	25.4	65.1	98	M20	UC213-40 213	P213	5.6	25	29	
UCP214-44 214	2-3/4	70	79.4	266	210	72	23	29	27	155	30.2	74.6	--	M20	UC214-44 214	P214	6.6	25	29	
UCP215 215-48	3	75	82.6	274	217	74	25	29	28	161.6	33.3	77.8	--	M20	UC215 215-48	P215	7.3	--	--	
UCP216		80	88.9	292	232	78	25	30	30	174	33.3	82.6	--	M20	UC216	P216	8.3	--	--	
UCP217-52 217	3-1/4	85	95.2	310	247	83	25	30	32	186	34.1	85.7	--	M20	UC217-52 217	P217	10.8	--	--	
UCP218-56 218	3-1/2	90	101.6	326	262	88	27	30	33	198	39.7	96	--	M22	UC218-56 218	P218	13	27	33	
UCP220 220-64	4	100	115	380	305	95	30	36	40	225	42	108	--	M24	UC220 220-64	P220	16	--	--	

Note: Grease fittings can locate at 45° position of housings front right side.

OVAL FLANGE UNITS

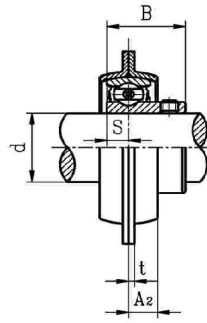
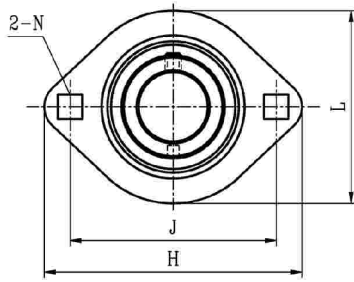


UCFL2
Setscrew Type

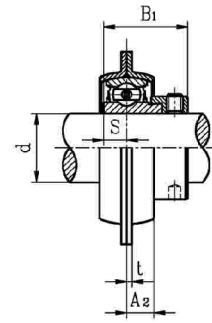
S-UCFL200E1
SM-UCFL200E1

Unit No.	Shaft Dia.		Dimensions (mm)										Bolt Size	Bearing No.	Housing No.	Mass (kg)	Available
	d		H	J	L	A ₂	A ₁	A	E	N	S	A ₄					
	(in.)	(mm)															
UCFL201S 201-8S 202S 202-10S 203S 203-11S	1/2 5/8 11/16	12 15 17	99	76.5	57	15	11	24.5	30.9	11.5	11.5	--	M10	UC201S 201-8S 202S 202-10S 203S 203-11S	FL203	0.45	--
UCFL201 201-8 202 202-10 203 203-11 204-12 204	1/2 5/8 11/16 3/4	12 15 17 20	113	90	60	15	11	25.5	33.3	11.5	12.7	37.5	M10	UC201 201-8 202 202-10 203 203-11 204-12 204	FL204	0.51	12
UCFL205-14 205-15 205 205-16	7/8 15/16 1	25	130	99	68	16	13	27	35.7	11.5	14.3	40	M10	UC205-14 205-15 205 205-16	FL205	0.60	16
UCFL206-18 206 206-19 206-20	1-1/8 1-3/16 1-1/4	30	148	117	80	18	13	31	40.2	11.5	15.9	44	M10	UC206-18 206 206-19 206-20	FL206	0.90	16
UCFL207-20 207-21 207-22 207 207-23	1-1/4 1-5/16 1-3/8 1-7/16	35	161	130	90	19	14	34	44.4	14	17.5	48.5	M12	UC207-20 207-21 207-22 207 207-23	FL207	1.20	16
UCFL208-24 208-25 208	1-1/2 1-9/16	40	175	144	100	21	14	36	51.2	14	19	55	M12	UC208-24 208-25 208	FL208	1.50	16
UCFL209-26 209-27 209-28 209	1-5/8 1-11/16 1-3/4	45	188	148	108	22	16	38	52.2	18	19	57	M16	UC209-26 209-27 209-28 209	FL209	1.90	19
UCFL210-30 210-31 210 210-32	1-7/8 1-15/16 2	50	197	157	115	22	16	40	54.6	18	19	60	M16	UC210-30 210-31 210 210-32	FL210	2.20	19
UCFL211-32 211-34 211 211-35	2 2-1/8 2-3/16	55	224	184	130	25	18	43	58.4	18	22.2	64	M16	UC211-32 211-34 211 211-35	FL211	3.10	19
UCFL212-36 212 212-38 212-39	2-1/4 2-3/8 2-7/16	60	250	202	140	29	18	48	68.7	18	25.4	74.5	M16	UC212-36 212 212-38 212-39	FL212	4.0	23
UCFL213-40 213	2-1/2	65	258	210	155	30	20	50	69.7	23	25.4	79	M20	UC213-40 213	FL213	5.0	--
UCFL214-44 214	2-3/4	70	265	216	160	31	20	54	75.4	23	30.2	--	M20	UC214-44 214	FL214	5.6	--
UCFL215-47 215 215-48	2-15/16 3	75	275	225	164	34	22	55	78.5	23	33.3	--	M20	UC215-47 215 215-48	FL215	6.2	--
UCFL216		80	290	233	180	34	22	58	83.3	25	33.3	--	M22	UC216	FL216	7.8	--
UCFL217-52 217	3-1/4	85	305	248	190	36	22	63	87.6	25	34.1	--	M22	UC217-52 217	FL217	9.8	--
UCFL218-56 218	3-1/2	90	320	265	205	40	23	68	96.3	25	39.7	--	M22	UC218-56 218	FL218	12.4	--

PRESSED - STEEL OVAL FLANGE UNITS



SBPFL2
Setscrew Type



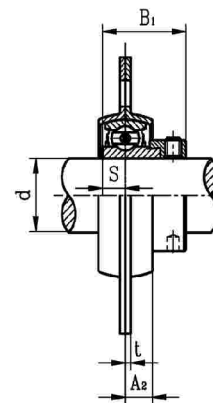
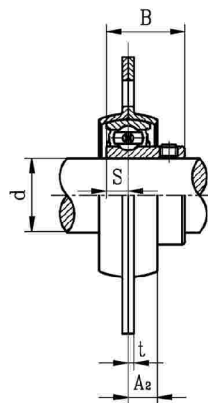
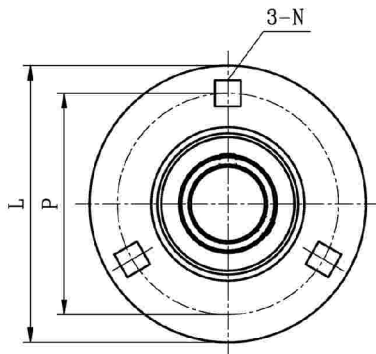
SAPFL2
Eccentric Locking
Collar Type

Unit No.	Shaft Dia.		Dimensions (mm)								Bolt Size		Bearing No.	Housing No.	Mass (kg)
	d		H	J	A ₂	L	N	t	S	B					
	(in.)	(mm)													
SBPFL201 201-8 202 202-10 203 203-11	1/2 5/8 11/16	12 15 17	81	63.5	7	59	7.5	2	6	22	M6	1/4	SB201 201-8 202 202-10 203 203-11	PFL203	0.2
SBPFL204-12 204	3/4	20	90	71.5	8	67	9	2	7	25	M8	5/16	SB204-12 204	PFL204	0.24
SBPFL205-14 205-15 205 205-16	7/8 15/16 1	25	95	76	9	71	9	2	7.5	27	M8	5/16	SB205-14 205-15 205 205-16	PFL205	0.38
SBPFL206-18 206 206-19 206-20	1-1/8 1-3/16 1-1/4	30	113	90.5	9	84	10.5	2.5	8	30	M10	3/8	SB206-18 206 206-19 206-20	PFL206	0.38
SBPFL207-20 207-21 207-22 207 207-23	1-1/4 1-5/16 1-3/8 1-7/16	35	122	100	10	94	10.5	2.5	8.5	32	M10	3/8	SB207-20 207-21 207-22 207 207-23	PFL207	0.64
SBPFL208-24 208-25 208	1-1/2 1-9/16	40	148	119	12	100	13.5	3.5	9	34	M12	1/2	SB208-24 208-25 208	PFL208	0.8

Collar Type

Unit No.	Shaft Dia.		Dimensions (mm)								Bolt Size		Bearing No.	Housing No.	Mass (kg)
	d		H	J	A ₂	L	N	t	S	B					
	(in.)	(mm)													
SAPFL 201 201-8 202 202-10 203 203-11	1/2 5/8 11/16	12 15 17	81	63.5	7	59	7.5	2	6.5	28.6	M6	1/4	SA201 201-8 202 202-10 203 203-11	PFL203	0.22
SAPFL 204-12 204	3/4	20	90	71.5	8	67	9	2	7.5	30.9	M8	5/16	SA204-12 204	PFL204	0.25
SAPFL 205-14 205-15 205 205-16	7/8 15/16 1	25	95	76	9	71	9	2	7.5	30.9	M8	5/16	SA205-14 205-15 205 205-16	PFL205	0.32
SAPFL 206-18 206 206-19 206-20	1-1/8 1-3/16 1-1/4	30	113	90.5	9	84	10.5	2.5	9	35.7	M10	3/8	SA206-18 206 206-19 206-20	PFL206	0.41
SAPFL207-20 207-21 207-22 207 207-23	1-1/4 1-5/16 1-3/8 1-7/16	35	122	100	10	94	10.5	2.5	9.5	38.9	M10	3/8	SA207-20 207-21 207-22 207 207-23	PFL207	0.69
SAPFL208-24 208-25 208	1-1/2 1-9/16	40	148	119	12	100	13.5	3.5	11	43.7	M12	1/2	SA208-24 208-25 208	PFL208	1.0

PRESSED HOUSING ROUND FLANGE UNITS



SBPF2
Setscrew Type

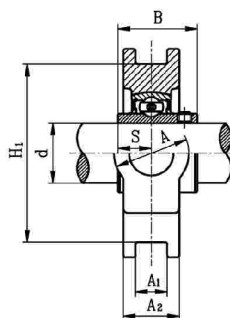
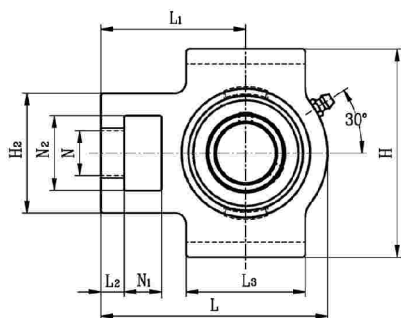
SAPF2
Eccentric Locking Collar Type

Unit No.	Shaft Dia.		Dimensions (mm)							Bolt Size	Bearing No.	Housing No.	Mass (kg)	
	d		L	P	A ₂	t	N [⊙]	S	B					
	(in.)	(mm)												
SBPF201 201-8 202 202-10 203 203-11	1/2 5/8 11/16	12 15 17										SB201 201-8 202 202-10 203 203-11	PF203	0.27 0.27 0.26
SBPF204-12 204	3/4	20	91	71	8	2	9	7	25	5/16	M8	SB204-12 204	PF204	0.3
SBPF205-14 205-15 205 205-16	7/8 15/16 1	25	95	76	9	2	9	7.5	27	5/16	M8	SB205-14 205-15 205 205-16	PF205	0.38
SBPF206-18 206 206-19 206-20	1-1/8 1-3/16 1-1/4	30	113	90	9	2.5	10.5	8	30	3/8	M10	SB206-18 206 206-19 206-20	PF206	0.62
SBPF207-20 207-21 207-22 207 207-23	1-1/4 1-5/16 1-3/8 1-7/16	35	122	100	10	2.5	10.5	8.5	32	3/8	M10	SB207-20 207-21 207-22 207 207-23	PF207	0.82
SBPF208-24 208-25 208	1-1/2 1-9/16 40		148	119	12	3.5	13.5	9	34	1/2	M12	SB208-24 208-25 208	PF208	1.1

Unit No.	Shaft Dia.		Dimensions (mm)							Bolt Size	Bearing No.	Housing No.	Mass (kg)	
	d		L	P	A ₂	t	N [⊙]	S	B ₁					
	(in.)	(mm)												
SAPF201 201-8 202 202-10 203 203-11	1/2 5/8 11/16	12 15 17										SA201 201-8 202 202-10 203 203-11	PF203	0.29 0.29 0.28
SAPF204-12 204	3/4	20	91	71	8	2	9	7.5	30.9	5/16	M8	SA204-12 204	PF204	0.31
SAPF205-14 205-15 205 205-16	7/8 15/16 1	25	95	76	9	2	9	7.5	30.9	5/16	M8	SA205-14 205-15 205 205-16	PF205	0.41
SAPF206-18 206 206-19 206-20	1-1/8 1-3/16 1-1/4	30	113	90	9	2.5	10.5	9	35.7	3/8	M10	SA206-18 206 206-19 206-20	PF206	0.67
SAPF207-20 207-21 207-22 207 207-23	1-1/4 1-5/16 1-3/8 1-7/16	35	122	100	10	2.5	10.5	9.5	38.9	3/8	M10	SA207-20 207-21 207-22 207 207-23	PF207	0.87
SAPF208-24 208-25 208	1-1/2 1-9/16 40		148	119	12	3.5	13.5	11	43.7	1/2	M12	SA208-24 208-25 208	PF208	1.3

Remarks: ⊙ SBPF208 and SAPF208 have four bolt holes.

TAKE-UP UNITS



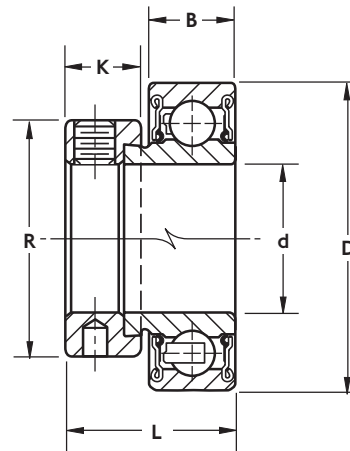
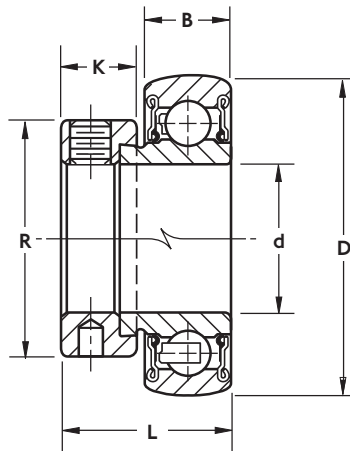
UCT2
Setscrew Type

Unit No.	Shaft Dia.		Dimensions (mm)															Bearing No.	Housing No.	Mass (kg)
	d		N ₁	L ₂	H ₂	N ₂	N	L ₃	A ₁	H ₁	H	L	A	A ₂	L ₂	B	S			
	(in.)	(mm)																		
UCT201S 201-8S 202S 202-10S 203S 203-11S	1/2 5/8 11/16	12 15 17	15	9	46	31	18	46	12	70	82	88	30	21	58	27.4	11.5	UC201S 201-8S 202S 202-10S 203S 203-11S	T203	0.70
UCT201 201-8 202 202-10 203 203-11 204-12 204	1/2 5/8 11/16 3/4	12 15 17 20	16	10	51	32	19	51	12	76	89	94	32	21	61	31	12.7	UC201 201-8 202 202-10 203 203-11 204-12 204	T204	0.82
UCT205-14 205-15 205 205-16	7/8 15/16 1	25	16	10	51	32	19	51	12	76	89	97	32	24	62	34	14.3	UC205-14 205-15 205 205-16	T205	0.88
UCT206-18 206 206-19 206-20	1-1/8 1-3/16 1-1/4	30	16	10	56	37	22	57	12	89	102	113	37	28	70	38.1	15.9	UC206-18 206 206-19 206-20	T206	1.3
UCT207-20 207-21 207-22 207 207-23	1-1/4 1-5/16 1-3/8 1-7/16	35	16	13	64	37	22	64	12	89	102	129	37	30	78	42.9	17.5	UC207-20 207-21 207-22 207 207-23	T207	1.7
UCT208-24 208-25 208	1-1/2 1-9/16	40	19	16	83	49	29	83	16	102	114	144	49	33	88	49.2	19	UC208-24 208-25 208	T208	2.5
UCT209-26 209-27 209-28 209	1-5/8 1-11/16 1-3/4	45	19	16	83	49	29	83	16	102	117	144	49	35	87	49.2	19	UC209-26 209-27 209-28 209	T209	2.5
UCT210-30 210-31 210	1-7/8 1-15/16	50	19	16	83	49	29	86	16	102	117	149	49	37	90	51.6	19	UC210-30 210-31 210	T210	2.6
UCT211-32 211-34 211 211-35	2 2-1/8 2-3/16	55	25	19	102	64	35	95	22	130	146	171	64	38	106	55.6	22.2	UC211-32 211-34 211 211-35	T211	4.0
UCT212-36 212 212-38 212-39	2-1/4 2-3/8 2-7/16	60	32	19	102	64	35	102	22	130	146	194	64	42	119	65.1	25.4	UC212-36 212 212-38 212-39	T212	4.9
UCT213-40 213	2-1/2	65	32	21	111	70	41	121	26	151	167	224	70	44	137	65.1	25.4	UC213-40 213	T213	7.0
UCT214-44 214	2-3/4	70	32	21	111	70	41	121	26	151	167	224	70	46	137	74.6	30.2	UC214-44 214	T214	7.1
UCT215 215-48	3	75	32	21	111	70	41	121	26	151	167	232	70	48	140	77.8	33.3	UC215 215-48	T215	7.5
UCT216		80	32	21	111	70	41	121	26	165	184	235	70	51	140	82.6	33.3	UC216	T216	8.2
UCT217-52 217	3-1/4	85	38	29	124	73	48	157	30	173	198	260	73	54	162	85.7	34.1	UC217-52 217	T217	11.0

BALL BEARING INSERTS

Spherical O D
RA200

Cylindrical O D
RA100



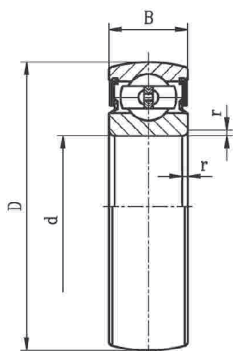
RA200 two seals
Prelubricated (Y SEAL)

RA100 two seals
Prelubricated (Y SEAL)

DIMENSIONS

Size	BEARING No.		Shaft Dia: d		D		B		R		K		L		COLLAR	WEIGHT
	Spherical O.D	Cylindrical O.D	mm	inch	mm	inch	mm	inch	mm	inch	mm	inch	mm	inch	NUMBER	kg
	RA203-008	RA103-008	12.700	1/2											EC-3 008	0.156
	RA203-009	RA103-009	14.288	9/16	40	1.5748	13	0.5118	28.6	1 1/8	13.5	1 1/32	28.6	1 1/8	EC-3 008	0.156
	RA203-010	RA103-010	15.875	5/8											EC-3 008	0.156
	RA203	RA103	17												EC-3 008	0.156
	RA204-012	RA104-012	19.050	3/4	47	1.8504	15	0.5906	33.4	1 5/16	13.5	1 1/32	31.0	1 1/32	EC-4 012	0.132
	RA204	RA104	20											EC-4	0.127	
	RA205-013	RA105-013	20.638	1 1/16											EC-5 013	0.217
	RA205-014	RA105-014	22.225	7/8											EC-5 014	0.213
	RA205-015	RA105-015	23.812	1 5/16	52	2.0472	15	0.5906	38.1	1 1/2	13.5	1 1/32	31.0	1 1/32	EC-5 015	0.199
	RA205	RA105	25												EC-5	0.187
	RA205-100	RA105-100	25.400	1											EC-5 100	0.180
17	RA206-101	RA106-101	26.988	1 1/16											EC-6 101	0.349
18	RA206-102	RA106-102	28.575	1 1/8											EC-6 102	0.326
	RA206	RA106	30		62	2.4409	18	0.7087	44.5	1 7/64	15.9	5/8	35.8	1 13/32	EC-6	0.319
19	RA206-103	RA106-103	30.162	1 3/16											EC-6 103	0.317
	RA206-104	RA106-104	31.750	1 1/4											EC-6 104	0.294
20	RA207-104	RA107-104	31.750	1 1/4											EC-7 104	0.562
21	RA207-105	RA107-105	33.338	1 9/16											EC-7 105	0.540
22	RA207-106	RA107-106	34.925	1 3/8	72	2.8346	19	0.7480	55.6	2 1/8	17.5	4 3/64	38.9	1 17/32	EC-7 106	0.512
	RA207	RA107	35												EC-7	0.495
23	RA207-107	RA107-107	36.512	1 1/2											EC-7 107	0.476
24	RA208-108	RA108-108	38.100	1 1/2											EC-8 108	0.694
25	RA208-109	RA108-109	39.688	1 5/8	80	3.1496	22	0.8661	60.4	2 3/8	18.3	2 3/32	43.7	1 23/32	EC-8 109	0.648
	RA208	RA108	40												EC-8	0.635
26	RA209-110	RA109-110	41.275	1 5/8											EC-9 110	0.780
27	RA209-111	RA109-111	42.862	1 11/16											EC-9 111	0.735
28	RA209-112	RA109-112	44.450	1 3/4	85	3.3465	22	0.8661	63.5	2 1/2	18.3	2 3/32	43.7	1 23/32	EC-9 112	0.680
	RA209	RA109	45												EC-9	0.665
29	RA210-113	RA110-113	46.038	1 7/8											EC-10 113	0.880
30	RA210-114	RA110-114	47.625	1 7/8											EC-10 114	0.830
31	RA210-115	RA110-115	49.212	1 15/16	90	3.5433	22	0.8661	69.9	2 3/4	18.3	2 3/32	43.7	1 23/32	EC-10 115	0.770
	RA210	RA110	50												EC-10	0.745

BALL BEARING INSERTS



CS2 SERIES

Bearing No.	Dimensions (mm)				Basic load ratings (N)		Mass (kg)
	d	D	B	r(min)	Dynamic Cr	Static Cor	
CS203	17	40	12	0.6	9580	4780	0.050
CS204	20	47	14	1	12800	6650	0.095
CS205	25	52	15	1	14000	7880	0.11
CS206	30	62	16	1	19500	11500	0.18
CS207	35	72	17	1.1	25500	15200	0.25
CS208	40	80	18	1.1	29500	18000	0.32
CS209	45	85	19	1.1	31500	20800	0.37
CS210	50	90	20	1.1	35000	23200	0.41



FARM IMPLEMENT BALL BEARINGS

Tri-Ply Seal Series Relubricatable Type



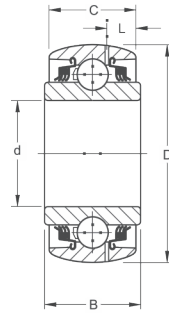
Figure 1



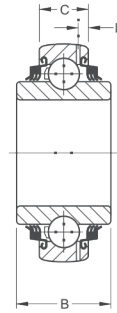
Figure 2



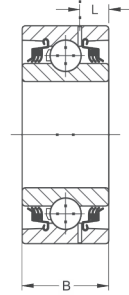
Figure 3



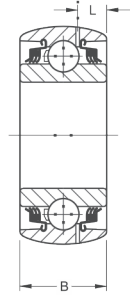
Type 1



Type 2



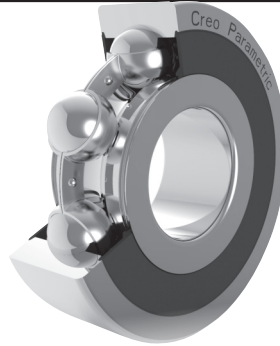
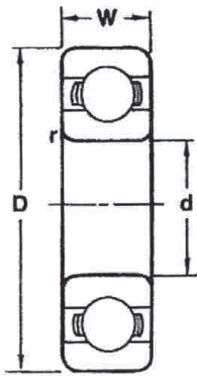
Type 3



Type 4

Bearing Number	Type- Fig.	Bore d		Outside Diameter D	Ring Width			Balls			L		Wt.		Static Load Rating C ₀		Extended Dynamic Load C _E ⁽³⁾	
		tolerance +0.000 mm +0.0000" to minus			tolerance +0.000 mm +0.0000"		+0.00 mm, -0.12 mm +0.000", -0.005"		No. Size									
ROUND BORE				in	mm	B Inner		C Outer		in.	mm	in.	kg	lbs.	N	lbs.	N	lbs.
GW209PPB2	4-2		45.00	85		30.18	30.18	9	1/2	8.79	0.346	0.653	1.44	17600	4000	36000	8150	
GW209PPB11	2-2		45.24	85		36.53	22.00	9	1/2	4.55	0.179	0.621	1.37	17600	4000	36000	8150	
GW210PP3	3-		37.53	90		30.18	30.18	10	1/2	9.02	0.355	1.021	2.25	19600	4500	39000	8800	
GW210PPB5	4-		45.34	90		30.18	30.18	10	1/2	9.02	0.355	0.794	1.75	19600	4500	39000	8800	
GW210PPB2	4-		49.23	90		30.18	30.18	10	1/2	9.02	0.355	0.681	1.50	19600	4500	39000	8800	
GW210PP9 ⁽¹⁾	2-		49.40	90		36.53	23.00	10	1/2	4.70	0.185	0.794	1.75	19600	4500	39000	8800	
GW211PPB13	2-2		45.34	100		33.34	25.00	10	9/16	5.82	0.299	0.916	2.02	25000	5600	48000	10800	
GW211PPB10	4-2		49.23	100		33.34 ⁽²⁾	33.34	10	9/16	9.96	0.392	1.025	2.26	25000	5600	48000	10800	
GW211PPB14	2-2		51.18	100		33.34 ⁽²⁾	25.00	10	9/16	5.82	0.229	0.907	2.00	25000	5600	48000	10800	
GW211PP2	3-2		55.58	100		33.34 ⁽²⁾	33.34	10	9/16	9.96	0.392	1.361	3.00	25000	5600	48000	10800	
GW211PPB2	4-2		55.58	100		33.34 ⁽²⁾	33.34	10	9/16	9.96	0.392	1.188	2.62	25000	5600	48000	10800	
GW211PPB8	2-2		55.58	100		33.34 ⁽²⁾	25.00	10	9/16	5.82	0.229	0.839	1.85	25000	5600	48000	10800	
GW211PPB9	2-2		55.75	100		39.69 ⁽²⁾	25.00	10	9/16	5.41	0.213	0.916	2.02	25000	5600	48000	10800	
GW214PPB6	2-		68.28	125		68.26 ⁽²⁾	28.00	10	1 1/16	5.54	0.218	2.155	4.75	37500	8500	69500	15600	
GW214PP2	3-		70.00	125		39.69 ⁽²⁾	39.69	10	1 1/16	10.52	0.414	1.901	4.19	37500	8500	69500	15600	
GW214PPB2	4-		70.00	125		39.69 ⁽²⁾	39.69	10	1 1/16	10.52	0.414	1.796	3.96	37500	8500	69500	15600	
GW214PPB5	1-		70.00	125		61.90 ⁽²⁾	39.69	10	1 1/16	10.52	0.414	2.155	4.75	37500	8500	69500	15600	
GW216PPB3	2-3		76.45	140		63.50 ⁽²⁾	30.00	11	2 3/32	6.10	0.240	-	-	45000	10200	80000	18000	
GW309PPB2			45.00	100		47.50 ⁽²⁾	27.00											
GW211PPB20			56.00	100		33.00 ⁽²⁾	46.00											
SQUARE BORE				Shaft Size														
GW208PPB6	2-1	1	25.4	80	1.438	36.53	0.827	21.00	9	1/2	5.66	0.223	0.794	1.75	17600	4000	54000	36000
GW208PPB5	2-1	1 1/8	28.6	80	1.438	36.53	0.827	21.00	9	1/2	5.66	0.223	0.667	1.47	17600	4000	54000	36000
GW208PPB8	1-1	1 1/8	28.6	80	1.438	36.53	1.188	30.18	9	1/2	8.36	0.329	0.794	1.75	17600	4000	54000	36000
GW208PPB17	3-1	1 1/8	28.6	80	1.438	36.53	1.188	30.18	9	1/2	8.28	0.326	0.925	2.04	17600	4000	54000	36000
GW209PPB5	1-2	1 1/4	31.8	85	1.438	36.53	1.188	30.18	9	1/2	8.79	0.346	0.794	1.75	17600	4000	54000	36000
GW209PPB8	2-2	1 1/4	31.8	85	1.438	36.53	0.866	22.00	9	1/2	4.55	0.179	0.748	1.65	17600	4000	54000	36000
GW210PP4	3-	1 1/8	28.6	90	1.188	30.18	1.188	30.18	10	1/2	9.02	0.355	1.048	2.31	19600	4500	54000	39000
GW210PPB4	4-	1 1/8	28.6	90	1.188	30.18	1.188	30.18	10	1/2	9.02	0.355	0.794	1.75	19600	4500	19600	39000
GW211PP3	3-2	1 1/2	38.1	100	1.312	33.34 ⁽²⁾	1.312	33.34	10	9/16	9.96	0.392	1.266	2.79	25000	5600	25000	48000
GW211PPB3	4-2	1 1/2	38.1	100	1.312	33.34 ⁽²⁾	1.312	33.34	10	9/16	9.96	0.392	1.207	2.66	25000	5600	25000	48000
GW211PP17	3-2	1 1/2	38.1	100	1.750	44.45 ⁽²⁾	1.312	33.34	10	9/16	9.96	0.392	1.188	2.62	25000	5600	25000	48000
GW214PPB4	4-	2	50.8	125	1.562	39.69 ⁽²⁾	1.562	39.69	10	1 1/16	10.52	0.414	2.155	4.75	37500	8500	37500	69500
GW216PPB4	2-3	1 3/4	44.4	140	2.500	63.50 ⁽²⁾	1.181	30.00	11	2 3/32	6.10	0.240	-	-	45000	10200	45000	80000
GW216PP2 ⁽¹⁾	2-3	2 1/4	57.2	140	2.500	63.50 ⁽²⁾	1.181	30.00	11	2 3/32	6.10	0.240	-	-	45000	10200	45000	80000
GW216PPB2	2-3	2 1/4	57.2	140	2.500	63.50 ⁽²⁾	1.181	30.00	11	2 3/32	6.10	0.240	-	-	45000	10200	45000	80000

DEEP GROOVE BALL BEARINGS 600 & 1600 SERIES



600 SERIES

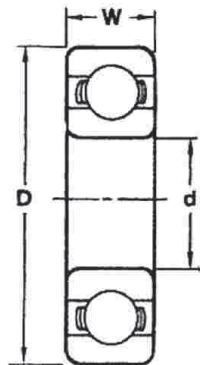
BEARING NO.	BORE d	OUTER DIA. D	WIDTH W	
			OPEN	SHIELDED
681	1	3	1	-
691	1	4	1.6	-
681X	1.5	4	1.2	2
691X	1.5	5	2	2.6
601X	1.5	6	2.5	3
682	2	5	1.5	2.3
692	2	6	2.3	3
602	2	7	2.8	3.5
682X	2.5	6	1.8	2.6
692X	2.5	7	2.5	3.5
602X	2.5	8	2.8	4
683	3	7	2	3
693	3	8	3	4
603	3	9	3	-
623	3	10	4	4
633	3	13	5	5
684	4	9	2.5	4
694	4	11	4	4
604	4	12	4	4
624	4	13	5	5
634	4	16	5	5
685	5	11	3	5
695	5	13	4	4
605	5	14	5	5
625	5	11	3	5
635	5	19	6	6
686	6	13	3.5	5
696	6	15	5	5
606	6	17	6	6
626	6	19	6	6
636	6	22	7	7
687	7	14	3.5	5
687	7	17	5	5

NO.	BORE d	OUTER DIA. D	WIDTH W	
			OPEN	SHIELDED
607	7	19	6	6
627	7	22	7	7
637	7	26	9	9
688	8	16	4	5
698	8	19	6	6
608	8	22	7	7
628	8	24	8	8
638	8	28	8	9
689	9	17	4	5
699	9	20	6	6
609	9	24	7	7
629	9	26	8	8
639	9	30	10	10

1600 SERIES

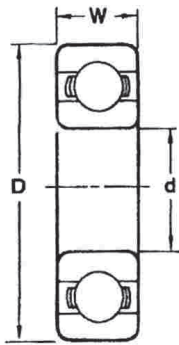
MILLIMETRES			
BEARING NO.	d	D	W
16002	15	32	8
16003	17	35	8
16004	20	42	8
16005	25	47	8
16006	30	55	9
16007	35	62	9
16008	40	68	9
16009	45	75	10
16010	50	80	10
16011	55	90	11
16012	60	95	11
16013	65	100	11
16014	70	110	13

DEEP GROOVE BALL BEARINGS 6000 SERIES



BEARING NO. 6000	BORE d mm	OUTER DIAMETER D mm	WIDTH W mm
6000	10	26	8
6001	12	28	8
6002	15	32	9
6003	17	35	10
6004	20	42	12
6005	25	47	12
6006	30	55	13
6007	35	62	14
6008	40	68	15
6009	45	75	16
6010	50	80	16
6011	55	90	18
6012	60	95	18
6013	65	100	18
6014	70	110	20
6015	75	115	20
6016	80	125	22
6017	85	130	22
6018	90	140	24
6019	95	145	24
6020	100	150	24
6021	105	160	26
6022	110	170	28
6024	120	180	28
6026	130	200	33
6028	140	210	33
6030	150	225	35

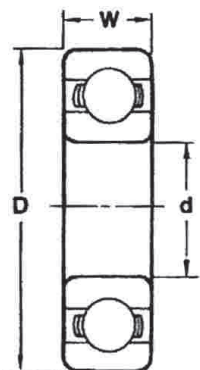
DEEP GROOVE BALL BEARINGS 6000 SERIES



BEARING NO.	BORE d mm	OUTER DIAMETER D mm	WIDTH W mm
6200	10	30	9
6201	12	32	10
6201-1/2	12.7	32	10
6201/13	13	32	10
6202	15	35	11
6202-1/2	12.7	35	11
6202-5/8	15.875	35	11
6202-16	16	35	11
6203	17	40	12
6203-15	15	40	12
6203-5/8	15.875	40	12
6203-16	16	40	12
6203-3/4	19.04	40	12
6204	20	47	14
6204-3/4	19.05	47	14
6204-7/8	22.225	47	14
6205	25	52	15
6205-1	25.4	52	15
6206	30	62	16
6207	35	72	17
6208	40	80	18
6209	45	85	19
6210	50	90	20
6211	55	100	21
6212	60	110	22
6213	65	120	23
6214	70	125	24
6215	75	130	25
6216	80	140	26
6217	85	150	28
6218	90	160	30
6219	95	170	32
6220	100	180	34
6221	105	180	36
6222	110	200	38
6224	120	215	40
6226	130	230	40
6228	140	250	42
6230	150	270	45

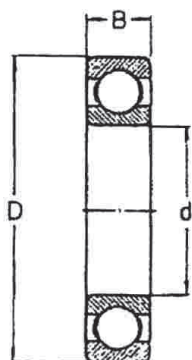
BOER
SLIM

DEEP GROOVE BALL BEARINGS 6000 SERIES



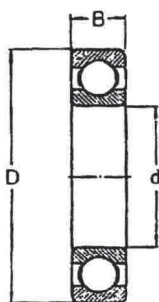
BEARING NO.	BORE d mm	OUTER DIAMETER D mm	WIDTH W mm
6300	10	35	11
6301	12	37	12
6302	15	42	13
6303	17	47	14
6304	20	52	15
6305	25	62	17
6306	30	72	19
6307	35	80	21
6308	40	90	23
6309	45	100	25
6310	50	110	27
6211	55	120	29
6312	60	130	31
6313	65	140	33
6314	70	150	35
6315	75	160	37
6316	80	170	39
6317	85	180	41
6318	90	190	43
6319	95	200	45
6320	100	215	47

DEEP GROOVE BALL BEARINGS 6000 SERIES



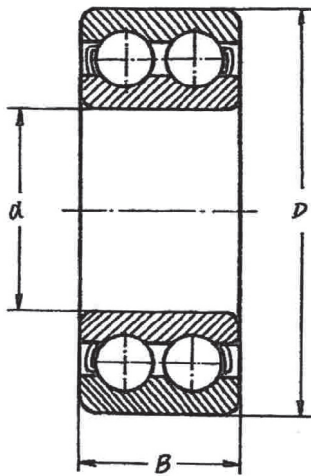
BEARING NO.	d	D	B
6403	17	62	17
6404	20	72	19
6405	25	80	21
6406	30	90	23
6407	35	100	25
6408	40	110	27
6409	45	120	29
6410	50	130	31
6411	55	140	33
6412	60	150	35
6413	65	160	37
6414	70	180	42
6415	75	190	45

IMPERIAL DEEP GROOVE BALL BEARINGS RLS & RMS SERIES



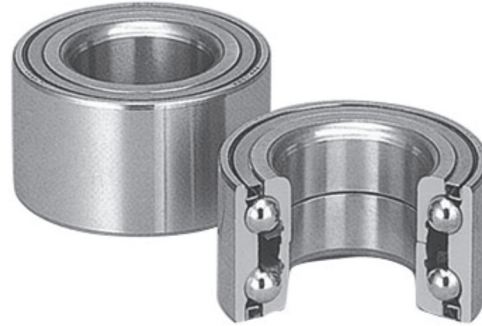
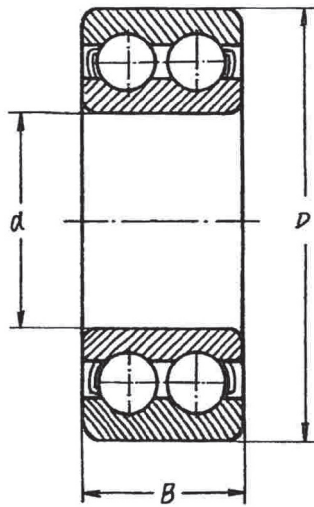
BEARING NO.	d	INCHES D	B
RLS 4	1/2	1 5/16	3/8
RLS 5	5/8	1 9/16	7/16
RLS 6	3/4	1 7/8	9/16
RLS 7	7/8	2	9/16
RLS 8	1	2 1/4	5/8
RLS 9	1 1/8	2 1/2	5/8
RLS 10	1 1/2	2 3/4	11/16
RLS 11	1 3/8	3	11/16
RLS 12	1 1/2	3 1/4	3/4
RLS 13	1 5/8	3 1/2	3/4
RLS 14	1 3/4	3 3/4	13/16
RLS 15	1 7/8	4	13/16
RLS 16	2	4	13/16
RLS 18	2 1/4	4 1/2	7/8
RMS 4	1/2	1 5/8	5/8
RMS 5	5/8	1 13/16	5/8
RMS 6	3/4	2	11/16
RMS 7	7/8	2 1/4	11/16
RMS 8	1	2 1/2	3/4
RMS 9	1 1/8	2 13/16	13/16
RMS 10	1 1/4	3 1/8	7/8
RMS 11	1 3/8	3 1/2	7/8
RMS 12	1 1/2	3 3/4	15/16
RMS 13	1 5/8	4	15/16
RMS 14	1 3/4	4 1/4	1 1/16
RMS 15	1 7/8	4 1/2	1 1/16
RMS 16	2	4 1/2	1 1/16
EE 2	1/4	3/4	7/32
EE 3	3/8	7/8	7/32
EE 4	1/2	1 7/8	1/4
EE 5	3/4	1 3/8	9/32
EE 6	3/4	1 5/8	5/16
EE 7	3/4	1 3/4	3/8
EE 8	7/8	1 7/8	3/8
EE 9	1	2	3/8
EE 10	1 1/8	2 1/8	3/8
EE 11	1 1/4	2 1/4	3/8

ANGULAR CONTACT BALL BEARINGS (DUPLEX) 3200 & 3300 SERIES



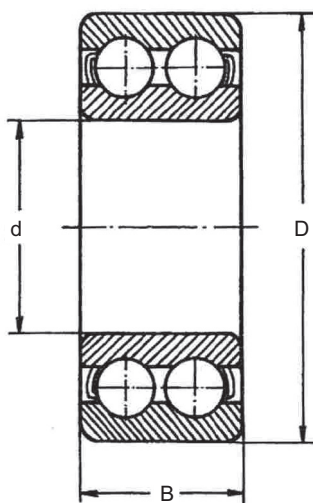
	d mm	D mm	B mm
3200	10	30	14
3201	12	32	15.9
3202	15	35	15.9
3203	17	40	17.5
3204	20	47	20.6
3205	25	52	20.6
3206	30	62	23.8
3207	35	72	27.0
3208	40	80	30.2
3209	45	85	30.2
3210	50	90	30.2
3211	55	100	33.3
3303	17	47	22.2
3304	20	52	22.2
3305	25	62	25.4
3306	30	72	30.2
3307	35	80	34.9
3308	40	90	36.5
3309	45	100	39.7
3310	50	110	44.4
3311	55	120	49.2
3312	60	130	54
3313	65	140	58.7
3314	70	150	63.5
3315	75	160	68.3
3316	80	170	68.3
3317	85	180	73
3318	90	190	73

ANGULAR CONTACT BALL BEARINGS (DOUBLE) 4200 & 4300 SERIES



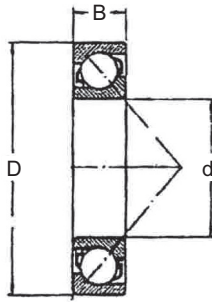
	d mm	D mm	B mm
4200	10	30	14
4201	12	32	14
4202	15	35	14
4203	17	40	16
4204	20	47	18
4205	25	52	18
4206	30	62	20
4207	35	72	23
4208	40	80	23
4209	45	85	23
4210	50	90	23
4211	55	100	25
4302	15	42	17
4303	17	47	19
4304	20	52	21
4305	25	62	24
4306	30	72	27
4307	35	80	31
4308	40	90	33
4309	45	100	36
4310	50	110	40

ANGULAR CONTACT BALL BEARINGS (DUPLEX) 5200 & 5300 SERIES



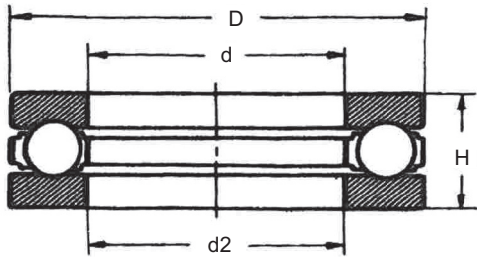
	d mm	D mm	B mm
5200	10	30	14.3
5201	12	32	15.9
5202	15	35	15.9
5203	17	40	17.5
5204	20	47	20.6
5205	25	52	20.6
5206	30	62	23.8
5207	35	72	27
5208	40	80	30.2
5209	45	85	30.2
5210	50	90	30.2
5211	55	100	33.3
5302	15	42	19.0
5303	17	47	22.2
5304	20	52	22.2
5305	25	62	25.4
5306	30	72	30.2
5307	35	80	34.9
5308	40	90	36.5
5309	45	100	39.7
5310	50	110	44.4

ANGULAR CONTACT BALL BEARINGS (DUPLEX) 7200 & 7300 SERIES



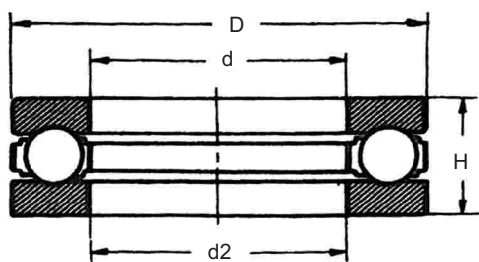
SIZES				
BEARING NO.	d	D	B	
7200B	10	30	9	
7201B	12	32	10	
7202B	15	35	11	
7203B	17	40	12	
7204B	20	47	14	
7205B	25	52	15	
7206B	30	62	16	
7207B	35	72	17	
7208B	40	80	18	
7209B	45	85	19	
7210B	50	90	20	
7211B	55	100	21	
7212B	60	110	22	
7213B	65	120	23	
7214B	70	125	24	
7215B	75	130	25	
7216B	80	140	26	
7217B	85	150	28	
7218B	90	160	30	
7219B	95	170	32	
7220B	100	180	34	
7221B	105	190	36	
7222B	110	200	38	
7224B	120	215	40	
7226B	130	230	40	
7228B	140	250	42	
7302B	15	42	13	
7303B	17	47	14	
7304B	20	52	15	
7305B	25	62	17	
7306B	30	72	19	
7307B	35	80	21	
7308B	40	90	23	
7309B	45	100	25	
7310B	50	110	27	
7311B	55	120	29	
7312B	60	130	31	
7313B	65	140	33	
7314B	70	150	35	
7315B	75	160	37	
7316B	80	170	39	
7317B	85	180	41	
7318B	90	190	43	

THRUST BALL BEARINGS 51100 SERIES



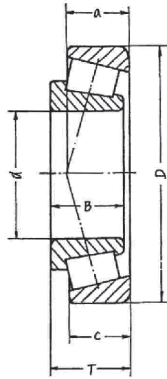
BEARING NO.	BORE		OUTER DIAMETER D mm	WIDTH H mm
	d mm	d2 mm		
51100	10	11	24	9
51101	12	13	26	9
51102	15	16	28	9
51103	17	18	30	9
51104	20	21	35	10
51105	25	26	42	11
51106	30	32	47	11
51107	35	37	52	12
51108	40	42	60	13
51109	45	47	65	14
51110	50	52	70	14
51111	55	57	78	16
51112	60	62	85	17
51113	65	67	90	18
51114	70	72	95	18
51115	75	77	100	19
51116	80	82	105	19
51117	85	87	110	19
51118	90	92	120	22
51120	100	102	135	25
51122	110	112	145	25

THRUST BALL BEARINGS 51200 SERIES



BEARING NO.	BORE		OUTER DIAMETER D mm	WIDTH H mm
	d mm	d2 mm		
51200	10	12	26	11
51201	12	14	28	11
51202	15	17	32	12
51203	17	19	35	12
51204	20	22	40	14
51205	25	27	47	15
51206	30	32	52	16
51207	35	37	62	18
51208	40	42	68	19
51209	45	47	73	20
51210	50	52	78	22
51211	55	57	90	25
51212	60	62	95	26
51213	65	67	100	27
51214	70	72	105	27
51215	75	77	110	27
51216	80	82	115	28
51217	85	88	125	31
51218	90	93	135	35
51220	100	103	150	38
51222	110	113	160	38
51224	120	123	170	39
51226	130	133	190	45
51228	140	143	200	46

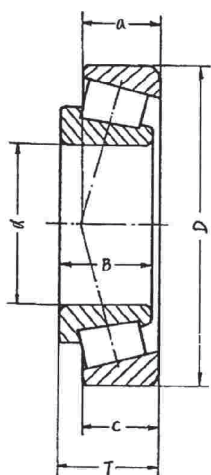
TAPERED ROLLER BEARINGS



d15 - 45mm

BOUNDARY DIMENSIONS								
d	D	T	B	C	r min	r1 min	a	
mm								
15	42	14.25	13	11	1	0.3	10	30302
17	40	13.25	12	11	1	0.3	10	30203
	47	15.25	14	12	1	0.3	10	30303
	47	20.25	19	16	1	0.3	12	32303
20	47	15.25	14	12	1	0.3	11	30204
	52	16.25	15	13			11	30304
	52	22.25	21	18	1.5	0.6	13	32304
25	52	16.25	15	13	1	0.3	13	30205
	62	18.25	17	13	1.5	0.6	20	31305
	62	18.25	17	15	1.5	0.6	14	30305
	62	25.25	24	20	1.5	0.6	15	32305
30	55	17	16	14	1	0.3	12	32006X
	62	17.25	16	14	1	0.3	14	30206
	62	21.25	20	17	1	0.3	16	32206
	62	25	25	19.5	1	0.3	16	30306
	72	20.75	19	14	1.5	0.6	23	31306
	72	20.75	19	16	1.5	0.6	16	30306
	72	28.75	27	23	1.5	0.6	19	32306
35	62	18	17	15	1	0.3	14	32007X
	72	18.25	17	15	1.5	0.6	15	30207
	72	24.25	23	19	1.5	0.6	18	32207
	72	28	28	22	1.5	0.6	18	33207
	80	22.75	21	15	1.5	0.6	26	31307
	80	22.75	21	18	1.5	0.6	18	30307
	80	32.75	31	25	1.5	0.6	21	32307
40	68	19	18	16	1	0.3	15	32008X
	80	19.75	18	16	1.5	0.6	17	30208
	80	24.75	23	19	1.5	0.6	19	32208
	80	32	32	25	1.5	0.6	21	33208
	90	25.25	23	17	1.5	0.6	29	31308
	90	25.25	23	20	1.5	0.6	20	30308
	90	35.25	33	27	1.5	0.6	23	32308
45	75	20	19	16	1	0.3	16	32009X
	85	20.75	19	16	1.5	0.6	19	30209
	85	24.75	23	19	1.5	0.6	20	32209
	85	32	32	25	1.5	0.6	22	33209
	100	27.25	25	18	1.5	0.6	32	31309
	100	27.25	25	22	1.5	0.6	22	30309
	100	38.25	36	30	1.5	0.6	26	32309

TAPERED ROLLER BEARINGS



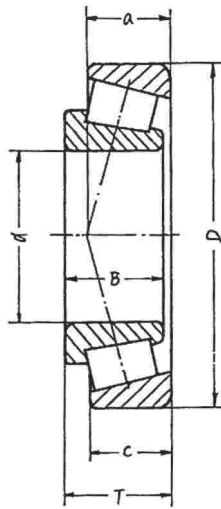
d50 - 75mm

BOUNDARY DIMENSIONS

d	D	T	B	C	r min	r1 min	a	
mm								
50	80	20	19	16	1	0.3	17	32010X
	90	21.75	20	17	1.5	0.6	20	30210
	90	24.75	23	19	1.5	0.6	21	32210
	110	29.25	27	23	2	0.6	23	30310
	110	29.25	29	19	2	0.6	35	31310
	110	42.25	40	33	2	0.6	28	32310
55	90	23	22	19	1.5	0.6	19	32011X
	100	22.75	21	18	1.5	0.6	21	30211
	100	26.75	25	21	1.5	0.6	23	32211
	120	31.5	29	21	2	0.6	38	31311
	120	31.5	29	25	2	0.6	25	30311
	120	45.5	43	35	2	0.6	31	32311
60	96	23	22	19	1.5	0.6	20	32012X
	110	23.75	22	19	1.5	0.6	22	30212
	110	29.75	28	24	1.5	0.6	25	32212
	130	33.5	31	22	2.5	1	41	31312
	130	33.5	31	26	2.5	1	27	30312
	130	48.5	46	37	2.5	1	32	32312
65	100	23	22	19	1.5	0.6	21	32013X
	120	24.75	23	20	1.5	0.6	24	30213
	120	32.75	31	27	1.5	0.6	27	32213
	140	36	33	23	2.5	1	44	31313
	140	36	33	28	2.5	1	29	30313
	140	51	48	39	2.5	1	34	32313
70	110	25	24	20	1.5	0.6	23	32014X
	125	26.25	24	21	1.5	0.6	26	30214
	125	33.25	31	27	1.5	0.6	29	32214
	150	38	35	25	2.5	1	47	31314
	150	38	35	30	2.5	1	31	30314
	150	54	51	42	2.5	1	37	32314
75	115	25	24	20	1.5	0.6	24	32015X
	130	27.25	25	22	1.5	0.6	27	30215
	130	33.25	31	27	1.5	0.6	30	32215
	160	40	37	26	2.5	1	50	31315
	160	40	37	31	2.5	1	32	30315
	160	58	55	45	2.5	1	39	32315

BOER
SLIM

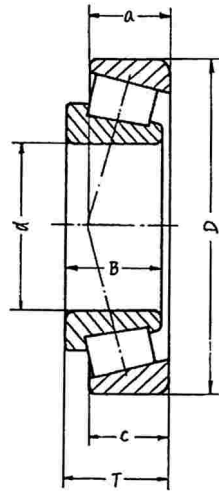
TAPERED ROLLER BEARINGS



(Inch Size)
d15.875 - 25.400mm

BOUNDARY DIMENSIONS							
d	D	T	B	C	r min	r1 min	
mm							
15.875	42.865	14.288	14.288	9.525	1.5	1.5	11590/11520
	49.225	19.845	21.539	14.288	0.8	1.3	09062/09195
	53.975	22.225	21.839	15.875	0.8	2.4	21063/21212
16.000	47.000	21.000	21.000	16.000	1.0	2.0	HM81649/HM81610
17.462	39.878	13.843	14.605	10.668	1.3	1.3	LM11749/LM11710
19.050	45.237	15.494	16.637	12.065	1.3	1.3	LM11949/LM11910
	49.225	19.845	21.539	14.288	1.3	1.3	09078/09195
	49.225	18.034	19.050	14.288	1.3	1.3	09067/09195
	49.225	21.209	19.050	17.462	1.3	1.6	09067/09196
	49.225	23.020	21.539	17.462	1.6 x 45	3.6	09074/09194
	53.975	22.225	21.839	15.875	1.6	2.4	21075/21212
21.430	50.005	17.526	18.288	13.970	1.3	1.3	M12649/M12610
22.000	45.237	15.494	16.637	12.065	1.3	1.3	LM12749/LM12710
	46.000	15.494	16.637	12.065	1.3	1.3	LM12749/LM12711
22.225	57.150	22.225	22.225	17.462	0.8	1.5	1280/1220
	50.005	17.526	18.288	13.970	1.3	1.3	M12648/M12610
23.812	50.292	14.224	14.732	10.668	1.6	1.3	L44640/L44610
25.000	51.944	15.011	14.260	12.700	1.5	1.3	07097/07204
25.273	50.005	27.046	14.260	9.525	1.5	1.0	07099/07196
25.400	50.005	2.046	14.260	525	1.0	1.0	07100/07196
	50.292	14.224	14.732	10.688	1.3	1.3	L44643/L44610
	59.530	23.368	23.114	18.288	0.8	1.6	M84249/M84210
	62.000	18.161	19.050	14.288	1.3	1.3	15100SR/15245
	62.000	19.050	20.638	14.288	3.6	1.3	15100/15245
	63.500	19.050	20.638	14.288	0.8	1.3	15101/15250R
	63.500	20.638	20.638	15.875	0.8	1.3	15101/15250
	63.500	20.638	20.638	15.875	1.6	1.6	15102/15250X
	63.500	20.638	20.638	15.875	1.3	1.3	15100S/15250
	64.292	21.433	21.433	16.670	1.6	1.6	M86643/M86610
	68.262	22.225	22.225	17.462	0.8	1.6	02473/02420
	72.233	25.400	25.400	19.84	0.8	2.4	HM866430/HM88610

TAPERED ROLLER BEARINGS

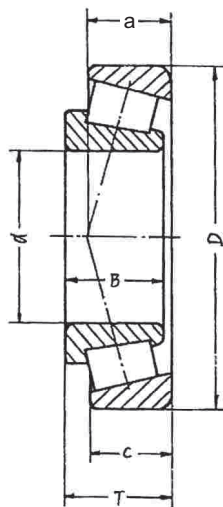


(Inch Size)

d26.988 - 30.226mm

BOUNDARY DIMENSIONS							
d	D	T	B	C	r min	r1 min	
mm							
26.988	50.292	14.224	14.732	10.688	3.6	1.3	L44649/L44610
	62.000	19.050	20.638	14.288	0.8	1.3	15106/15245
	63.500	20.638	20.638	15.875	0.8	1.3	15106/15250
28.575	60.325	19.845	19.355	15.875	3.5	1.3	1988/1931
	62.000	19.050	20.638	14.288	3.6	1.3	15112/15245
	62.000	19.050	20.638	14.288	0.8	1.3	15113/15245
	64.292	21.433	21.433	16.670	1.6	1.6	M86647/M86610
	66.421	25.400	25.357	20.638	2.4	3.3	2578/2520
	68.262	22.225	22.225	17.462	0.8	1.6	02474/02420
	69.850	23.812	25.357	19.050	2.3	1.3	2578/2523
	73.025	22.225	22.225	17.462	0.8	3.3	02872/02820
	57.150	17.462	17.462	13.445	3.5	1.5	155901/15520
	72.626	24.608	24.257	17.462	4.8	1.5	41125/41286
29.000	50.292	14.224	14.732	10.668	3.6	1.3	L45449/L45410
30.000	62.000	19.050	20.638	14.288	1.3	1.3	16117/15245
	69.012	19.845	19.583	15.875	3.5	3.3	14117A/14274
	69.012	19.845	19.583	15.875	3.5	1.3	14117A/14276
30.112	62.000	19.050	20.638	14.288	0.8	1.3	15116/15245
30.162	64.292	21.433	21.433	16.670	1.6	1.6	M86649/M86610
	64.292	21.433	21.433	16.670	1.6	1.6	M86649A/M86610A
	69.850	23.812	25.357	19.050	0.8	1.3	2559/2523
	69.850	23.812	25.357	19.050	2.4	1.6	2558/2523S
30.213	62.000	19.050	20.638	14.288	3.6	1.3	15118/15245
	62.000	19.050	20.638	14.288	1.6	1.3	15119/15245
	62.000	19.050	20.638	14.288	0.8	1.3	15120/15245
30.226	69.012	19.845	19.583	15.875	0.8	1.3	14116/14276

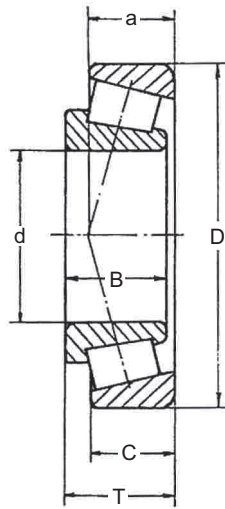
TAPERED ROLLER BEARINGS



(Inch Size)
d30.955 - 31.750mm

BOUNDARY DIMENSIONS							
d	D	T	B	C	r min	r ₁ min	
mm							
30.955	64.292	21.433	21.433	16.670	1.6	1.6	M86648A/M86610
31.750	59.131	15.875	16.764	11.811	2.3	1.3	LM67047/LM67010
	59.131	15.875	16.764	11.811	SPEC	1.3	LM67048/LM67010
	59.131	15.875	16.764	11.811	0.8	1.3	LM67049/LM67010
	59.131	15.875	16.764	11.811	1.5	1.3	LM67049/LM67010
	59.131	17.780	16.764	13.716	2.3	1.3	LM67047/LM67011
	59.131	17.780	16.764	13.716	SPEC	1.3	LM67048/LM67011
31.750	59.131	17.780	16.764	13.716	1.5	1.3	LM67049/LM67011
	59.131	17.780	16.764	13.716	0.8	1.3	LM67049A/LM67011
	61.912	19.050	19.050	14.288	SPEC	2.0	15123/15243
	61.986	15.875	16.764	11.811	0.8	1.3	LM67049A/LM67014
	62.000	19.050	19.050	14.288	SPEC	1.3	15123/15245
	62.000	19.050	20.638	14.288	0.8	1.3	15126/15245
	62.000	19.050	20.638	14.288	3.6	1.3	15125/15245
	62.000	20.638	19.050	15.875	SPEC	1.3	15123/15244
	66.421	45.400	25.357	20.638	3.6	3.3	2585/2520
	66.421	25.400	25.357	20.638	0.8	3.3	2580/2520
	68.262	22.225	22.225	17.462	3.6	1.6	02475/02420
	68.262	22.225	22.225	17.462	0.8	1.6	02476/02420
	68.262	22.225	22.225	17.462	3.6	0.8	02476/02421
	68.262	22.225	22.225	17.462	0.8	0.8	02476/02421
	69.012	19.845	19.583	15.875	0.8	1.3	14124/14276
	69.012	19.845	19.583	15.875	3.5	1.3	14125a/14276
	68.262	22.225	22.225	17.462	1.5	1.5	M88046/M88010
	68.262	22.225	22.225	17.462	0.8	1.5	02474/02420

TAPERED ROLLER BEARINGS

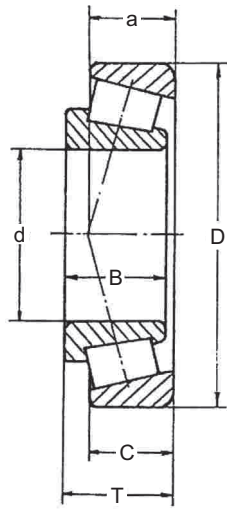


(Inch Size)

d32.000 - 35.000mm

BOUNDARY DIMENSIONS							
d	D	T	B	C	r min	r1 min	
mm							
31.986	72.233	25.400	25.400	19.842	3.3	2.4	HM88638/HM88610
33.338	66.421	25.400	25.357	20.638	3.6	3.3	2585/2520
	66.421	25.400	25.357	20.638	0.8	3.3	2581/2520
	68.262	22.225	22.225	17.462	5.5	1.5	M88047/M88010
	68.262	22.225	22.225	17.462	0.8	1.5	M88048/M88010
	68.262	22.225	22.225	17.462	0.8	2.3	M88048/MM88011
	68.262	22.225	22.225	17.462	0.8	0.8	M88048/M88012
	69.012	19.845	19.583	15.875	0.8	1.3	14131/14276
	69.850	23.815	25.357	19.050	3.6	1.2	2585/2523
	73.025	23.812	25.654	19.050	1.6	0.8	2790/2735X
	76.200	23.812	25.654	19.050	3.5	3.3	2785/2720
	76.200	23.812	25.654	19.050	3.5	0.8	2785/2729
	76.200	23.812	25.654	19.050	1.5	3.3	2790/2720
	68.262	22.225	12.225	17.462	0.8	1.5	M88048/M88010
	69.850	23.812	25.357	19.050	3.5	1.3	2585/2523
34.925	65.088	18.034	18.288	13.970	0.8	1.3	LM48548/LM48510
	69.012	19.845	19.583	15.875	1.5	1.3	14137A/14276
	72.233	25.400	25.400	19.842	2.3	2.3	HM88649/HM88610
	73.025	23.812	24.608	19.050	1.5	2.3	25877/25820
	73.025	25.812	24.608	19.050	1.5	0.8	25877/25821
	73.025	23.812	24.608	19.050	3.5	0.8	25878/25821
	76.200	29.370	28.575	23.020	3.5	3.3	HM89446/HM89410
	80.167	29.370	30.391	23.812	3.5	3.3	3379/3320
	85.725	30.162	30.162	23.812	3.5	3.3	3872/3820
	73.025	23.812	24.608	19.050	1.5	0.8	25877/25821
35.000	60.000	15.875	16.764	11.938	-	1.3	L68149/L68111
	62.000	16.700	17.000	13.600	-	1.5	LM78349/LM78310
	59.131	-	16.764	11.938	-	1.3	L68149/L68110

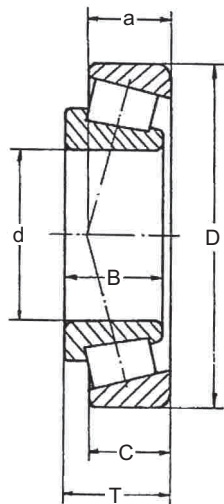
TAPERED ROLLER BEARINGS



(Inch Size)
d35.717 - 42.875mm

BOUNDARY DIMENSIONS							
d	D	T	B	C	r min	r1 min	
mm							
35.717	72.233	25.400	25.400	19.842	3.5	2.3	HM88648/HM88610
36.487	76.200	23.812	25.654	19.050	1.5	3.3	2780/2720
	73.025	23.812	25.608	19.050	1.5	0.8	25880/25821
38.000	63.000	17.000	17.000	13.500	-	1.3	JL69349/JL69310
38.100	72.000	17.018	16.520	14.288	1.5	1.5	19150/19283X
	72.238	20.638	20.638	15.875	3.5	1.3	16150/16284
	76.200	23.812	25.654	19.050	3.5	3.3	2788/2720
	76.200	23.812	25.654	19.050	3.5	0.8	3788/3729
	79.375	29.370	29.771	23.812	3.5	3.3	3490/3420
	88.500	26.988	29.083	22.225	3.5	1.5	418/414
	76.200	23.812	25.654	19.050	3.5	3.3	2788/2720
39.688	73.025	25.645	22.098	21.366	2.3	0.8	M201047/M201211
	73.025	23.812	25.654	19.050	3.5	0.8	2789/2735X
41.275	73.025	16.667	17.462	12.700	3.5	1.5	18590/18520
	73.431	19.558	19.812	14.732	3.5	0.8	LM501349/LM501310
	73.431	23.012	19.812	18.186	3.5	2.3	LM501349/LM501311
	73.431	21.430	19.812	16.604	3.5	2.3	LM501349/LM501314
	76.200	22.225	23.030	17.462	3.5	0.8	24780/24720
	87.312	30.162	30.886	23.812	3.3	1.5	3885/3525
42.875	82.931	23.812	25.400	19.050	3.5	0.8	25577/25520
	82.931	26.988	25.400	22.225	3.5	2.3	25577/25523

TAPERED ROLLER BEARINGS

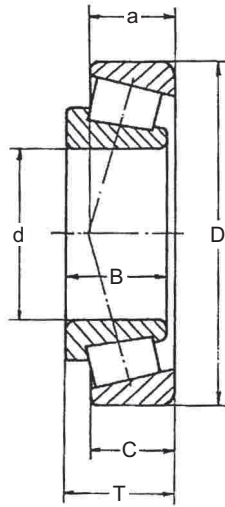


(Inch Size)

d44.450 - 50.800mm

BOUNDARY DIMENSIONS							
d	D	T	B	C	r min	r1 min	
mm							
44.450	82.931	23.812	25.400	19.050	3.5	0.8	25580/25520
	83.058	23.812	25.400	19.050	3.3	3.5	25580/25521
	90.119	23.000	21.692	21.808	3.5	2.3	355X/352
	93.264	30.162	30.302	23.812	3.3	3.5	3782/3720
	95.250	30.958	28.575	22.225	3.5	0.8	HM903249/HM903210
	101.600	34.925	36.068	26.988	3.3	3.5	527/522
	104.775	36.512	36.512	28.575	3.3	3.5	HM807040/HM807010
45.242	73.431	19.558	19.812	15.478	3.5	0.8	LM102949/LM102910
	73.431	21.430	19.812	17.620	3.5	0.8	LM102949/LM102911
	77.788	19.842	19.842	15.080	3.5	0.8	LM603049/LM603011
	79.974	19.842	19.842	15.080	3.5	0.8	LM603949/LM603014
45.618	82.931	23.812	25.400	19.050	3.5	0.8	25590/25520
	83.058	23.812	25.400	19.050	3.5	3.3	25590/25521
	83.058	23.876	25.400	19.114	3.5	2.0	25590/25522
	82.931	26.988	25.400	22.225	3.5	2.3	25590/25523
46.038	79.375	17.462	17.462	13.495	2.8	1.5	18690/18620
	85.000	20.638	21.692	17.462	2.3	1.3	395X/394A
	85.000	25.400	25.608	20.638	3.5	1.3	2984/2924
47.625	101.60	34.925	36.988	26.988	3.5	3.3	18690/18620
50.000	82.000	21.500	21.500	17.000	3.0	0.5	JLM104948/JLM104910
	90.000	28.000	28.000	23.000	3.0	2.5	JM205149/JM205110
	82.000	21.976	22.225	17.000	0.5	0.5	JLM104947/JLM104910
50.800	82.550	23.622	22.225	18.542	0.8	3.5	LM104949/LM104911A

TAPERED ROLLER BEARINGS

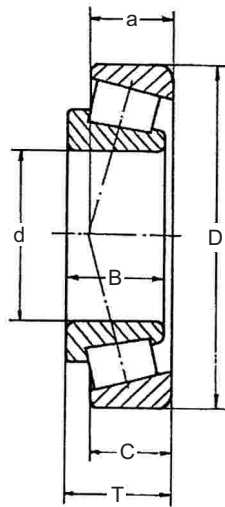


(Inch Size)

d50.800 - 60.325mm

BOUNDARY DIMENSIONS							
d	D	T	B	C	r min	r1 min	
mm							
50.800	82.550	21.590	22.225	16.510	3.5	1.3	LM104949/LM104911
	85.000	17.462	17.462	13.495	3.5	1.5	18790/18720
	88.900	20.638	22.225	16.513	3.5	1.3	368A/362A
	90.000	20.000	22.225	15.875	3.5	2.0	368A/362
	93.264	30.162	30.302	23.812	0.8	3.3	3775/3720
	93.264	30.162	30.302	23.812	3.5	3.3	3780/3720
	93.264	30.162	30.302	23.812	6.4	3.3	3784/3720
	104.775	36.512	36.512	28.575	3.5	3.3	59200/59412
51.150	97.630	24.608	24.608	19.446	3.5	0.8	28682/28622
	96.838	21.000	21.946	15.875	0.8	0.8	387S/382A
	96.838	21.000	21.946	15.875	5.0	0.8	387AS/382A
	96.838	25.400	21.946	20.274	3.5	2.3	387A/387S
	96.838	21.000	21.946	15.875	2.3	0.8	387/382A
	98.425	21.000	21.946	17.826	3.5	0.8	387A/382
	100.000	21.000	21.946	17.826	3.5	2.0	387A/383A
	104.775	30.162	29.317	24.605	2.3	3.3	462A/453A
52.388	92.075	24.608	25.400	19.845	3.5	0.8	28584/28521
52.388	93.264	30.162	30.302	23.812	2.3	3.3	3767/3720
55.000	90.000	23.000	23.000	18.500	1.5	0.5	JLM506849/JLM506810
	95.000	29.000	29.000	23.500	1.5	2.5	JM207049/JM207010
60.000	95.000	24.000	24.000	19.000	5.0	2.5	JLM508748/JLM508710
60.325	101.600	25.400	25.400	19.845	3.5	3.3	28985/28920

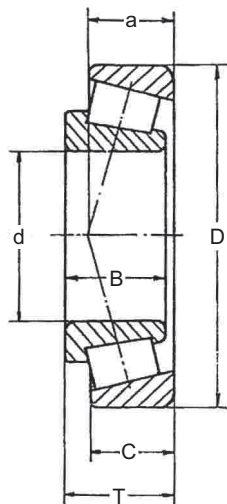
TAPERED ROLLER BEARINGS



(Inch Size)
d63.500 - 75.000mm

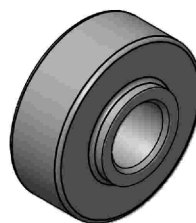
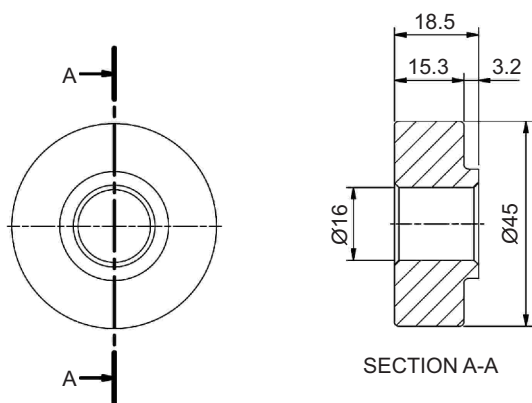
BOUNDARY DIMENSIONS							
d	D	T	B	C	r min	r1 min	
mm							
63.500	110.000	22.000	21.996	18.824	1.5	1.3	390A/394A
	110.000	22.000	21.996	18.824	3.5	1.3	395/394A
	112.712	30.162	30.048	23.812	3.5	3.3	3982/3920
	112.712	30.162	30.162	23.812	3.5	3.3	39585/39520
	122.238	38.100	38.354	29.718	7.0	1.5	HM212047/HM212010
	122.238	38.100	38.354	29.718	7.0	3.3	HM212047/HM212011
66.675	107.950	25.400	25.400	19.050	3.6	3.3	29590/29522A
	110.000	22.000	21.996	18.824	3.5	1.3	395S/394A
	112.712	30.162	30.048	23.812	3.5	3.3	3984/3920
	122.238	38.100	38.354	29.718	3.5	1.5	HM212049/HM212010
	112.712	30.162	30.162	23.812	3.5	3.3	39590/39520
	117.475	30.162	-	-	3.5	3.3	33262/33462
68.262	110.000	22.000	21.996	18.824	2.3	1.3	399A/394A
	110.000	22.000	21.996	18.824	5.0	1.5	199S/394A
69.850	117.475	30.162	30.162	23.812	3.5	3.3	33275/33462
	112.712	25.400	25.400	19.050	1.5	3.3	29675/29620
70.000	110.000	26.000	25.000	20.500	1.0	2.5	JLM813049/JLM813010
	115.000	29.000	29.000	23.000	3.0	2.5	JM612949/JM612910
	120.000	29.002	29.007	23.444	2.0	3.3	484/472A
71.438	117.475	30.162	30.162	23.812	3.5	3.3	33281/33462
73.025	112.712	25.400	25.400	19.050	3.5	3.3	29685/29620
75.000	120.000	31.000	29.500	25.000	3.0	2.5	JM714249/JM714210

TAPERED ROLLER BEARINGS

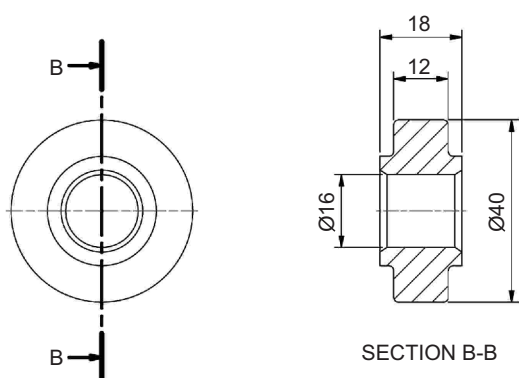


(Inch Size)
d76.200 - 95.250mm

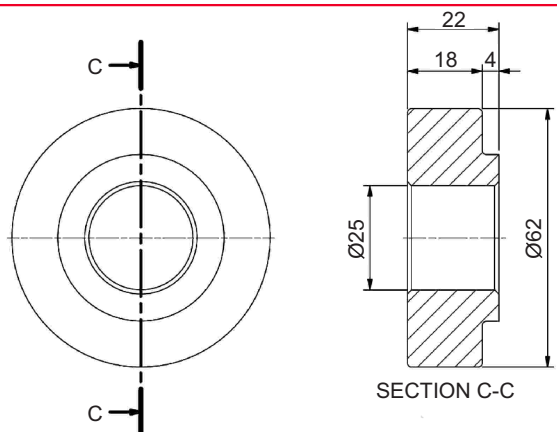
BOUNDARY DIMENSIONS							
d	D	T	B	C	r min	r1 min	
mm							
76.200	127.000	30.162	31.000	22.225	3.5	3.3	42687/42620
	139.992	36.512	36.098	28.575	3.5	3.3	575/572
80.000	130.000	35.000	34.000	28.500	3.0	2.5	JM515649/JM515610
82.550	133.350	33.338	33.338	26.195	3.5	3.3	47686/47620
	133.350	33.338	33.338	26.195	6.8	3.3	47687/47620
	139.992	36.512	36.098	28.575	3.5	3.3	580/572
	139.992	36.512	36.098	28.575	6.8	3.3	582/572
	146.050	41.275	41.275	31.750	3.5	3.3	663/653
	152.400	41.275	41.275	31.750	3.5	3.3	663/652
85.000	130.000	30.000	29.000	24.000	3.0	2.5	JM716649/JM716610
85.027	150.089	44.450	46.672	36.512	3.5	3.3	749/742
85.725	133.350	30.162	29.769	22.225	3.5	3.3	497/492A
	136.525	30.162	29.769	22.225	3.5	3.3	497/493
88.900	152.400	39.688	39.688	30.000	6.4	3.3	HM518445/HM518410
90.000	145.000	35.000	34.000	27.000	3.0	2.5	JM788149/JM788110
	147.000	40.000	40.000	32.500	7.0	3.5	HM218248/HM218210
92.075	152.400	39.688	36.322	30.162	3.5	3.3	598/592A
95.250	152.400	39.688	36.322	30.162	5.0	3.3	594A/592A
	168.275	41.275	41.275	30.162	3.5	3.3	683/672



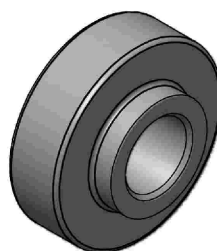
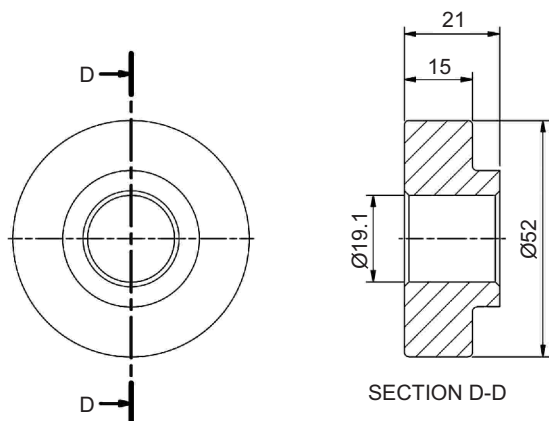
AA21480
 SX164551BCL8 - ON SEAL
 06D08 - ON INNER RING
DG1645ARSL



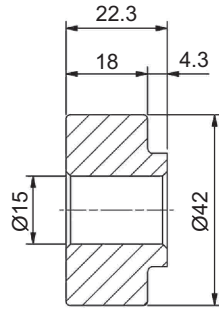
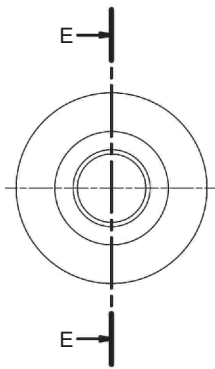
AN142670
 NTN - SX0361L - ON SEAL
 SX0361CS13 - ON OUTER RACE
 203 KRR2



AA34616
 206KRP4
DG2526ARSL



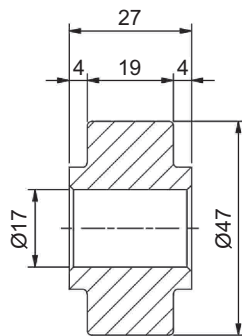
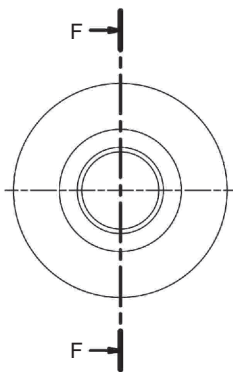
A27002
DG1952ARSL



SECTION E-E



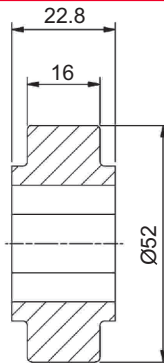
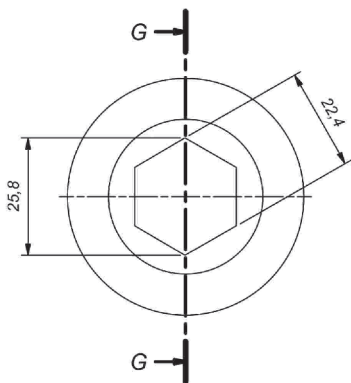
**CJ13975
DG1542ARSL**



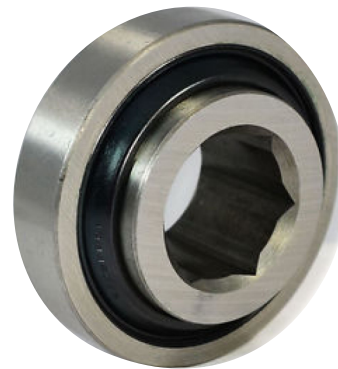
SECTION F-F



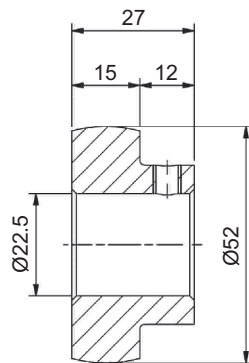
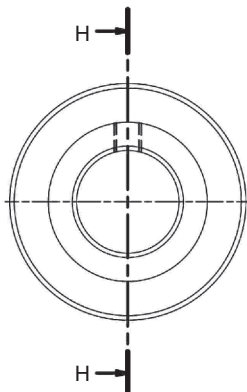
**CJ13976
DG1747ARSL**



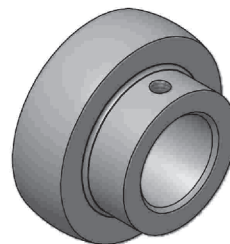
SECTION G-G



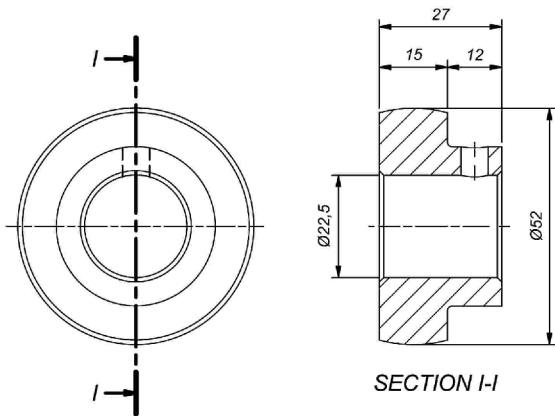
**AA28271
205PP13**



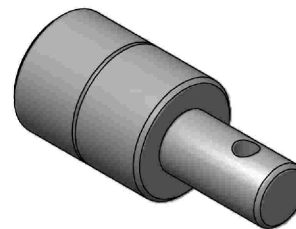
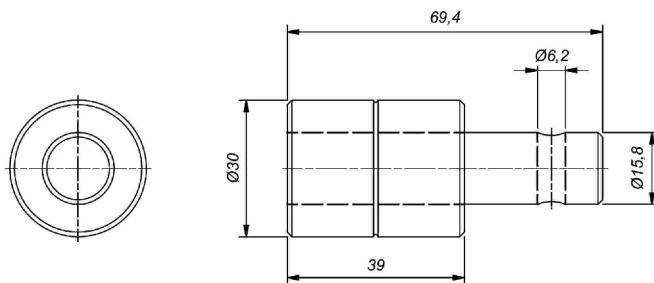
SECTION H-H



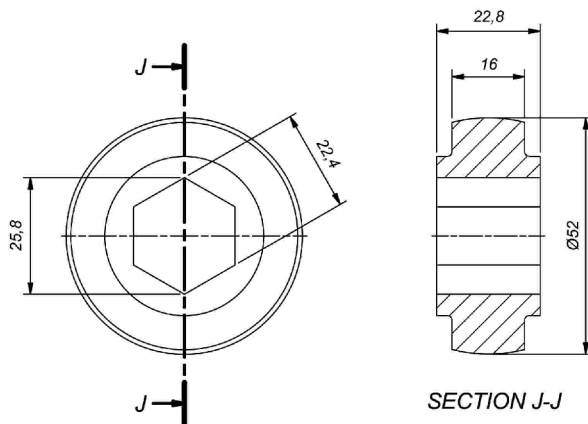
**AA22098
SB205G**



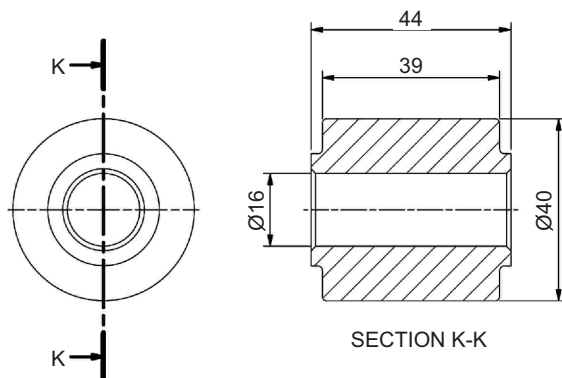
**AA22099
SB205H**



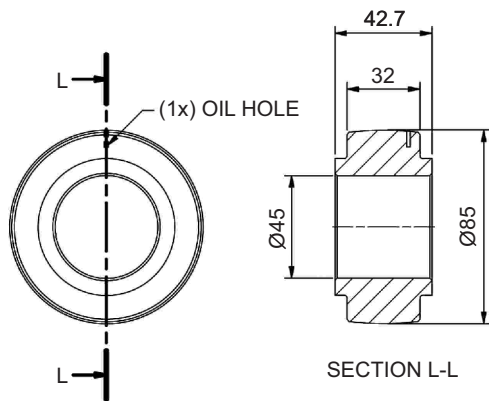
**W30-75 S1
AA35741**



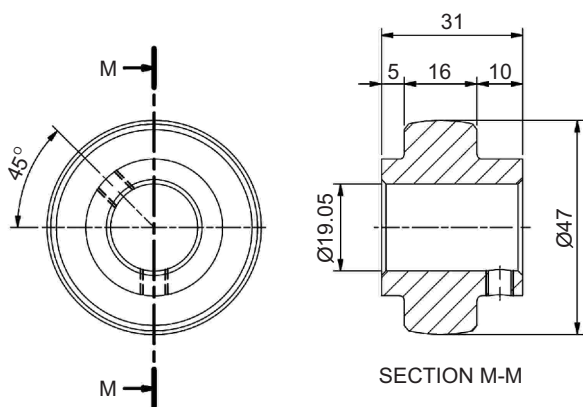
**AA22097
205PPB13**



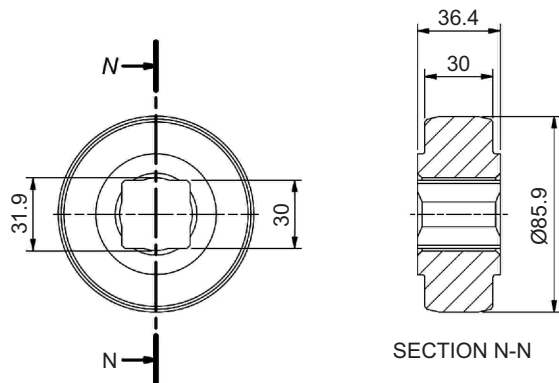
**AN212132
DG1640ARSL**



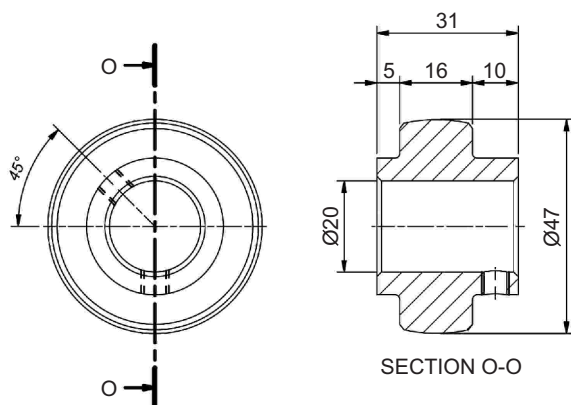
1851951
18511859/209TTR12
ST491 INSERT
JOHN SHEARER



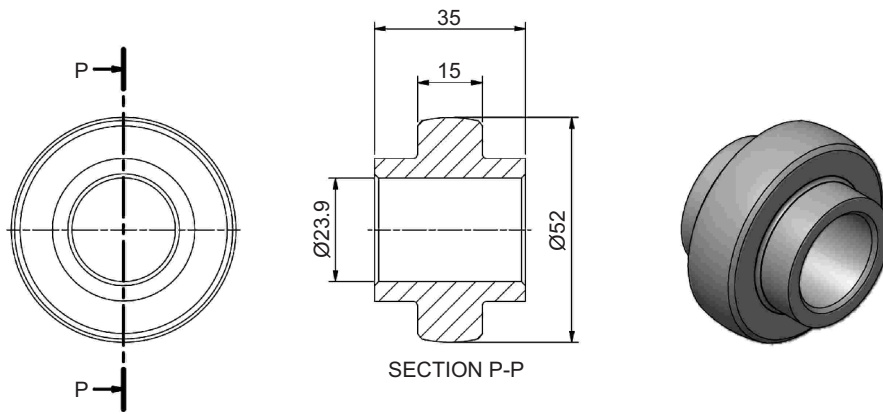
1851143
RB204-12/LGW112C2C4



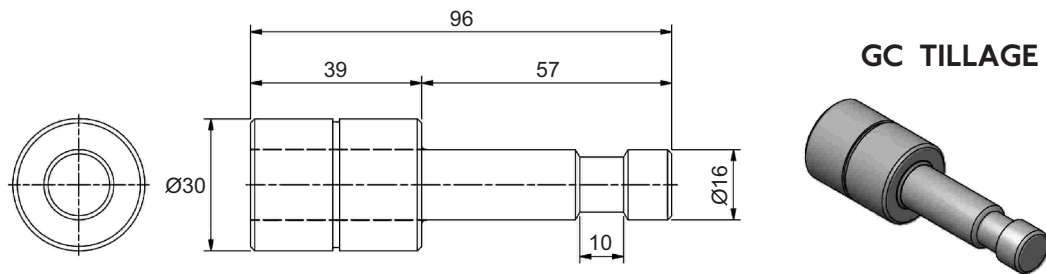
613233A



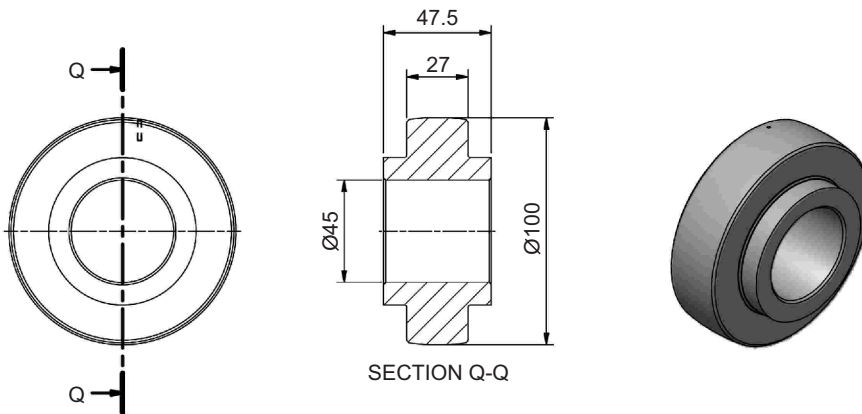
1852071TR
RB204/LGW112-20



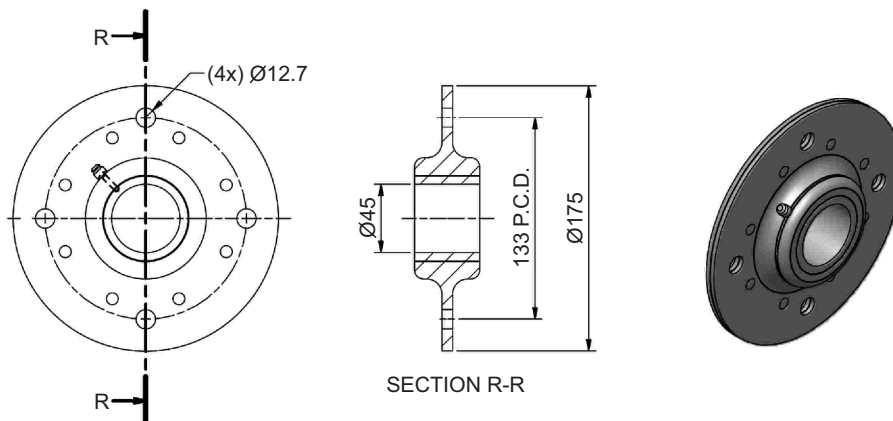
205PPB7



**GC TILLAGE SKOFFEL
4420**

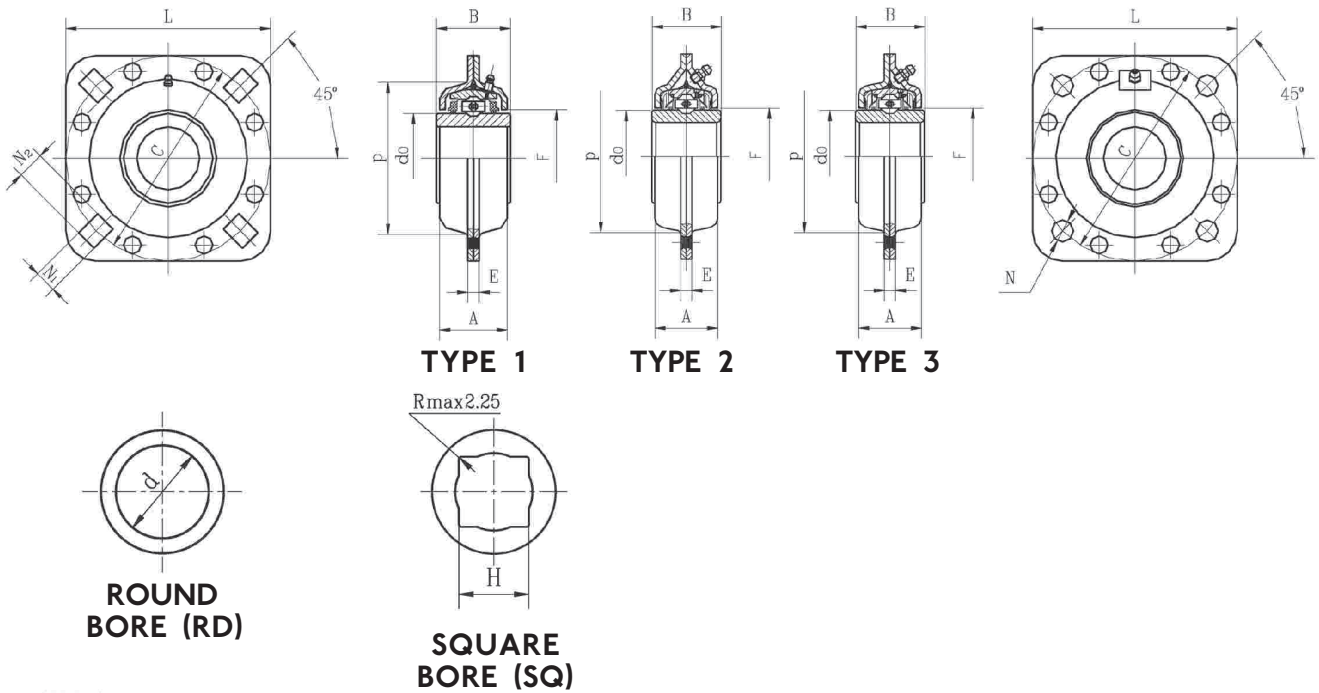


**GW309PPB2
GCT777
F211 HOUSING**



**PF951
ROUND SHAFT
FLANGE XF013**

TRI-PLY SERIES/DISC HARROW BEARING UNITS

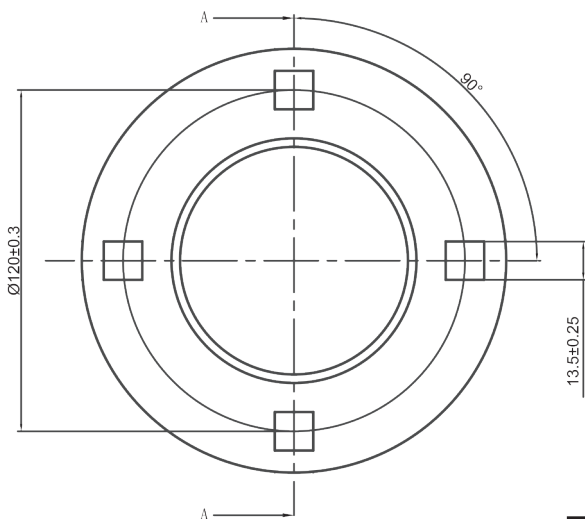


209 Series

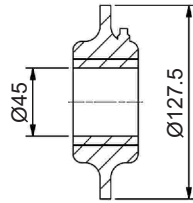
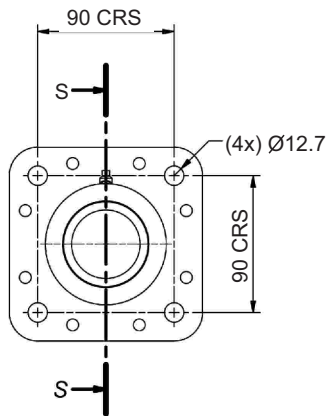
Unit No.	Type	Bearing Bore Size (mm)		Dimensions (mm)								Basic Dynamic Load Rating (N)	Basic Static Load Rating (N)	
		H (SQ)	d (RD)	L	P	B	A	F	do	E	C			N(N1xN2)
ST491A	1	--	45	127	98	42.8	42	60	57.547	7	127	Φ 13.5	31850	17500
ST491B	1	--	38.86				42					Φ 13.5		

BEARINGS HOUSING

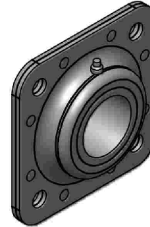
PART NO: MS 85 BTC



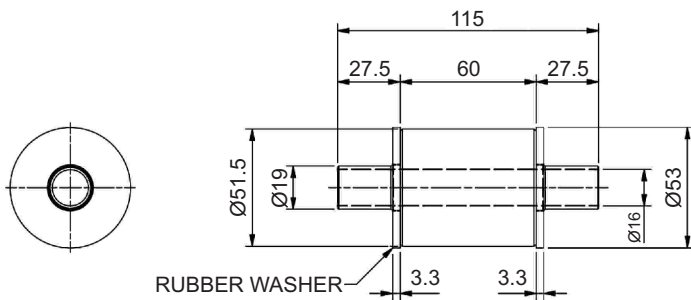
BOER
SLIM



SECTION S-S

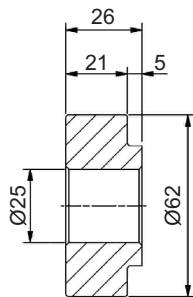
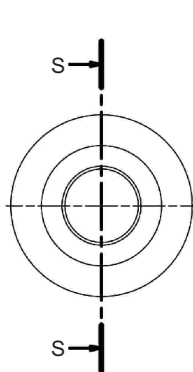
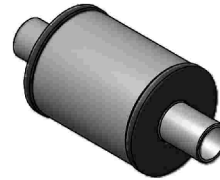


ST491A
SQUARE FLANGE XF009

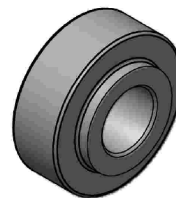


RUBBER WASHER

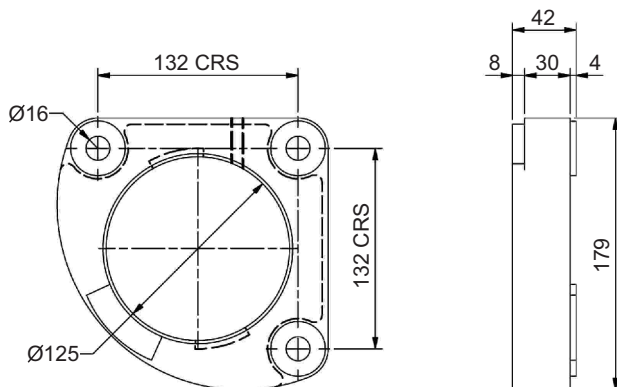
SOILMASTER DRUKWIEL
FS555



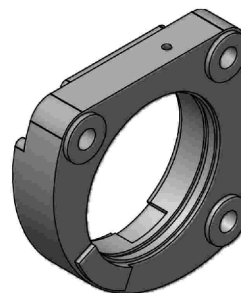
SECTION S-S

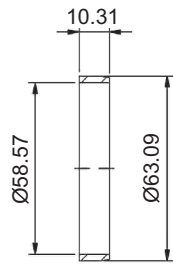
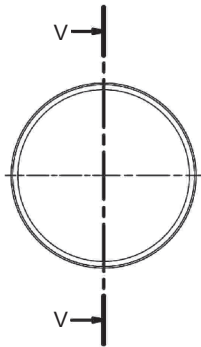


AA34616HD



N440 DISC (JD8658)
FGW214

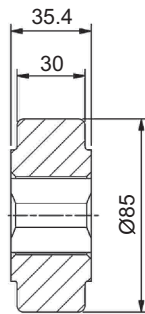
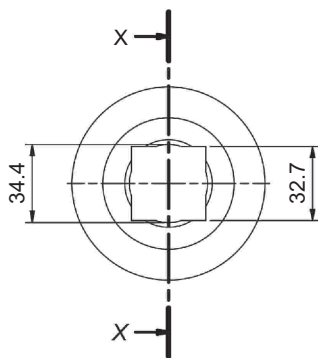




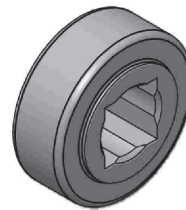
SECTION V-V



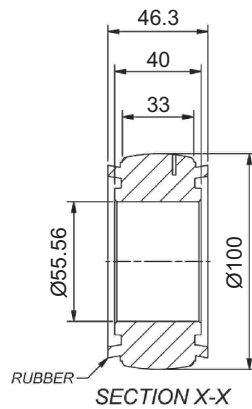
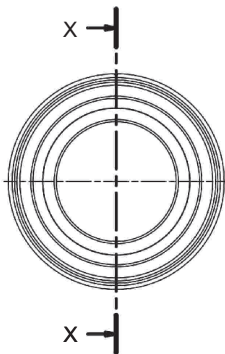
**J/D 32687
GREEN IN COLOUR
PLANTER COULTER**



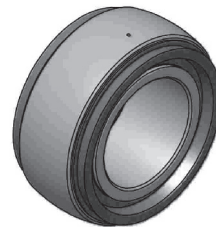
SECTION X-X



AS4509BA



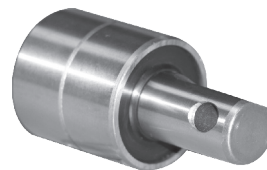
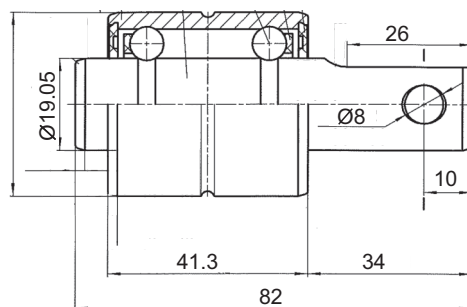
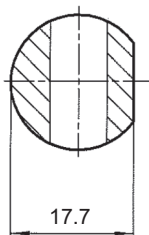
SECTION X-X



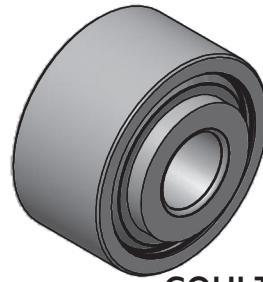
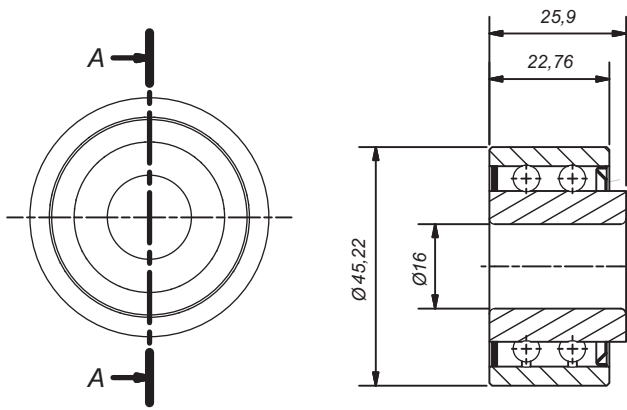
**GW211PPB20
F211 HOUSING**



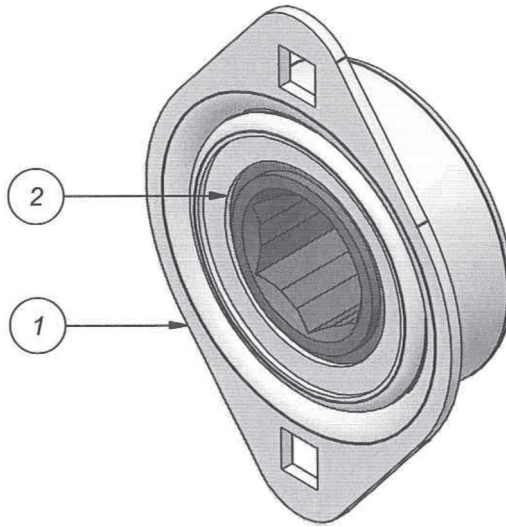
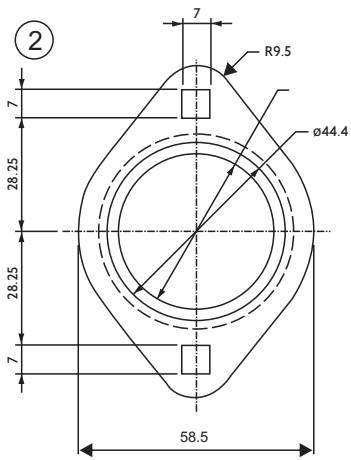
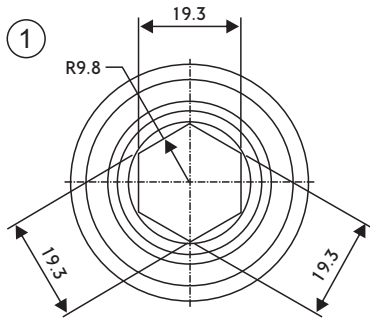
GW211 RUBBER



836B BTC

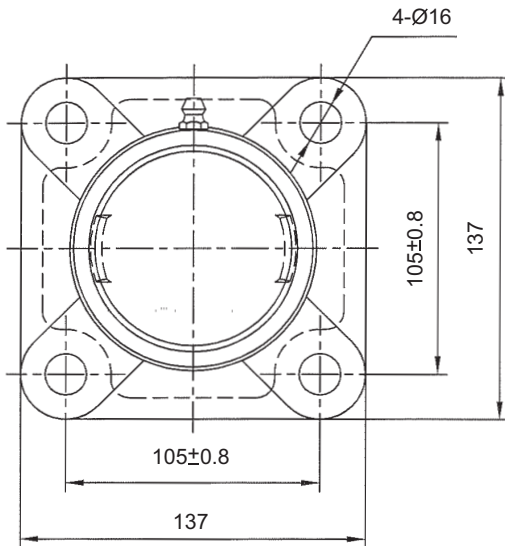


AA59196
J/D PLANTER
COULTER NEARING

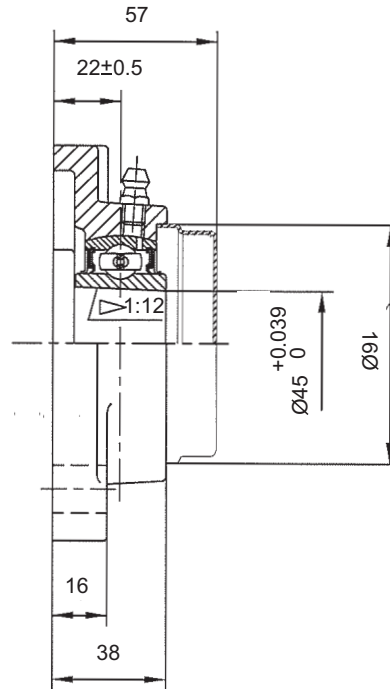


W247-647B
BEARING WITH 1 PLATE
HEXAGON INNER RACE

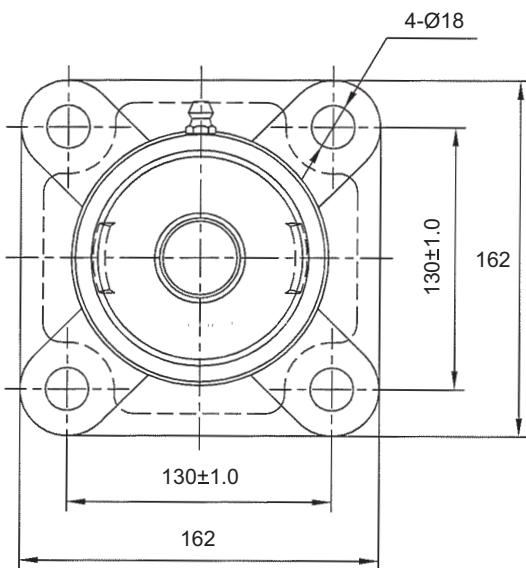
UKF-S-209 with closed end plate



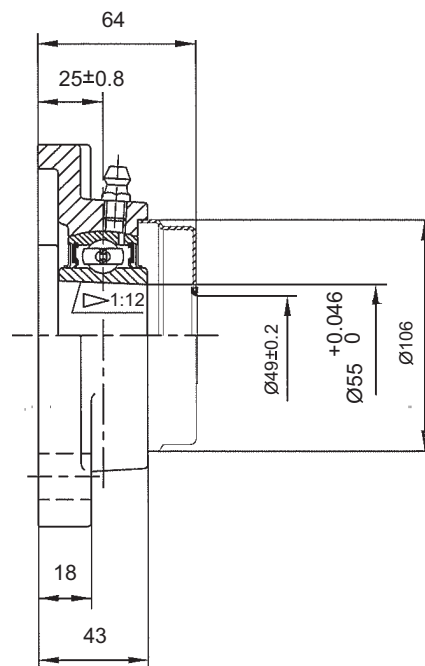
- 1.Lated load $C_r=31.85$ kN
Cor=20.8 kN
- 2.Radial internal clearance: max 0.051
min 0.030
- 3.Volume of greaser: 6.33±0.90g



UKF-S-211 with open side plate

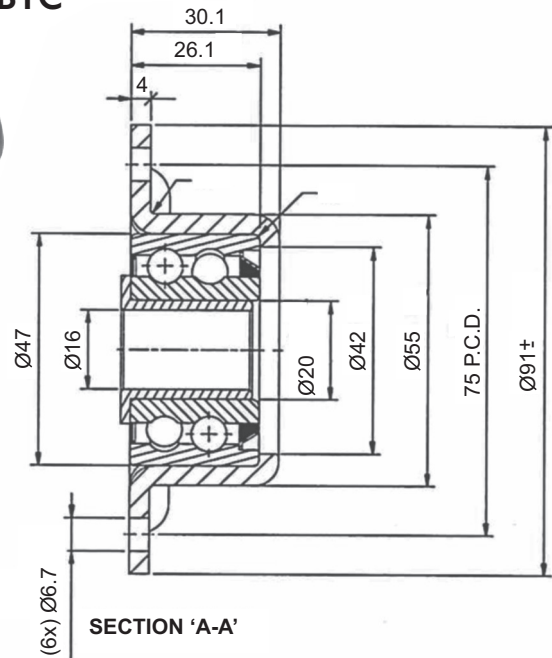
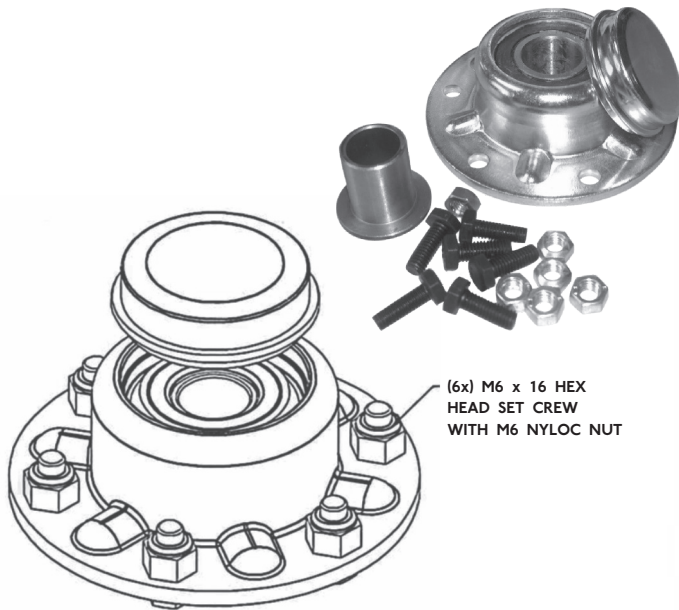


- 1.Lated load $C_r=43.55$ kN
Cor=29.2 kN
- 2.Radial internal clearance: max 0.051
min 0.038
- 3.Volume of greaser: 9.43±1.35g

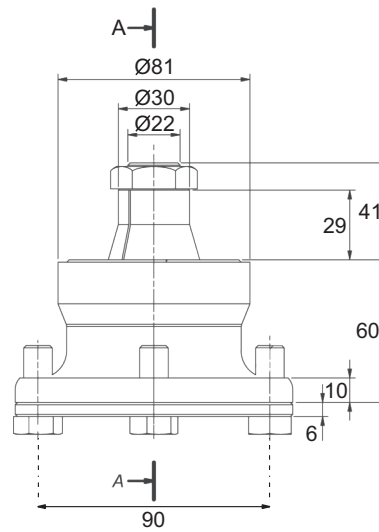


AGRI HUB FOR SEEDING DISCS

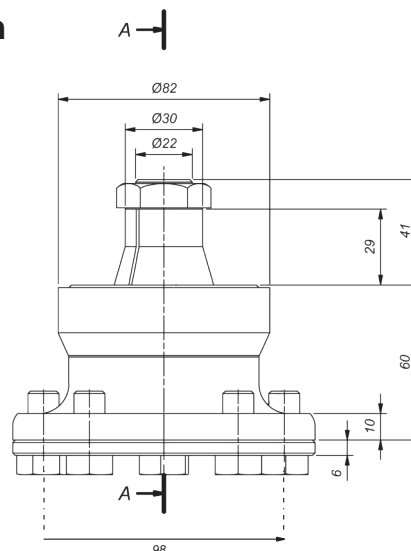
PART NO: ADH 7545 BTC / ADH 7546 BTC



PART NO: BAA 004 - Heavy Duty Design

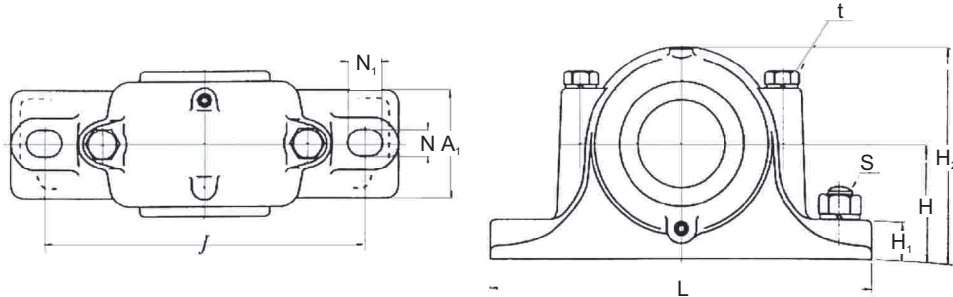


PART NO: BAA 005 - Heavy Duty Design

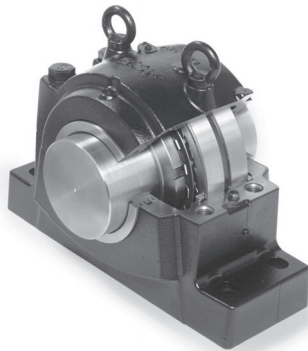


PLUMMER BLOCK APPLICATION

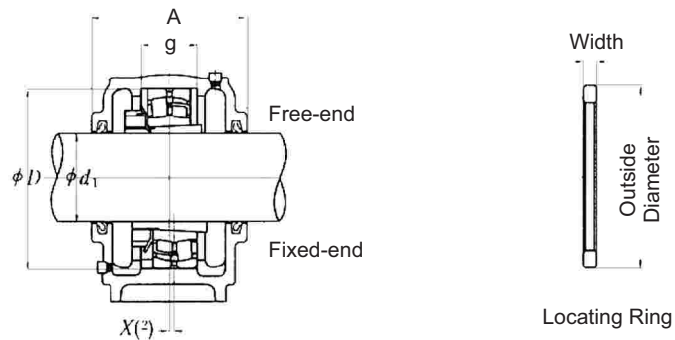
Standard Type Plummer Blocks
 SN 5, SN 6 Types
 Shaft Diameter 20 - 55mm



SHAFT DIAMETER (mm) d ₁	PLUMMER BLOCK BEARING BOX NUMBERS (1)	DIMENSIONS (mm)											t NOMINAL	s NOMINAL
		D H ₈	H H ₁₃	J	N	N ₁	A	L	A ₁	H ₁	H ₂ H ₁₃	g		
20	SN 505	52	40	130	15	20	67	165	46	22	75	25	M 8	M 12
	SN 605	62	50	150	15	20	80	185	52	22	90	34	M 8	M 12
25	SN 506	62	50	150	15	20	77	185	52	22	90	30	M 8	M 12
	SN 606	72	50	150	15	20	82	185	52	22	95	37	M 10	M 12
30	SN 507	72	50	150	15	20	82	185	52	22	95	33	M 10	M 12
	SN 607	80	60	170	15	20	90	205	60	25	110	41	M 10	M 12
35	SN 508	80	60	170	15	20	85	205	60	25	110	33	M 10	M 12
	SN 608	90	60	170	15	20	95	205	60	25	115	43	M 10	M 12
40	SN 509	85	60	170	15	20	85	205	60	25	112	31	M 10	M 12
	SN 609	100	70	210	18	23	105	255	70	28	130	46	M 12	M 16
45	SN 510	90	60	170	15	20	90	205	60	25	115	33	M 10	M 12
	SN 610	110	70	210	18	23	115	255	70	30	135	50	M 12	M 16
50	SN 511	100	70	210	18	23	95	255	70	28	130	33	M 12	M 16
	SN 611	120	80	230	18	23	120	275	80	30	150	53	M 12	M 16
55	SN 512	110	70	210	18	23	105	255	70	30	135	38	M 12	M 16
	SN 612	130	80	230	18	23	125	280	80	30	155	56	M 12	M 16



PLUMMER BLOCK APPLICATION



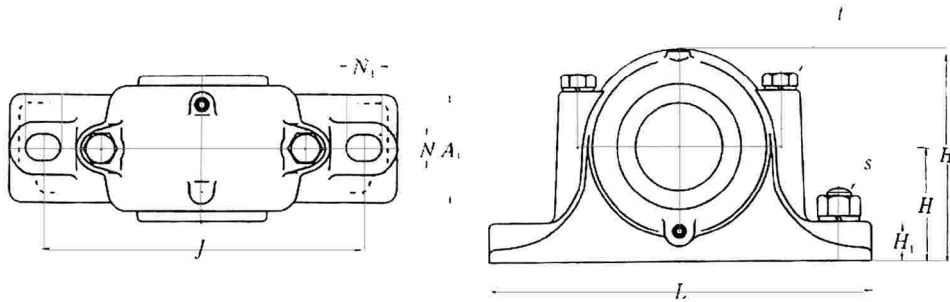
APPLICABLE PARTS

SELF-ALIGNING BALL BEARING		SPHERICAL ROLLER BEARINGS		ADAPTER	LOCATING RINGS		OIL SEALS ⁽³⁾
NUMBERS	BASIC DYNAMIC LOAD RATINGS C ₁ (N)	NUMBERS	BASIC DYNAMIC LOAD RATINGS C ₁ (N)	NUMBERS	NOMINAL (OUTSIDE DIA x WIDTH)	QTY	
1205 K	12 200	-	-	H 205X	SR 52 x 5	2	GS5
2205 K	12 400	22205 CKE4	37 500	H 305X	SR 52 x 7	1	
1305 K	18 200	21305 CDKE4	43 000	H 305X	SR 62 x 8.5	2	GS5
2305 K	24 900	-	-	H 2305X	SR 62 x 10	1	
1206 K	15 800	-	-	H 206X	SR 62 x 7	2	GS6
2206 K	15 300	22206 CKE4	50 000	H 306X	SR 62 x 10	1	
1306 K	21 400	21306 CDKE4	55 000	H 306X	SR 72 x 9	2	GS6
2306 K	32 000	-	-	H 2306X	SR 72 x 10	1	
1207 K	15 900	-	-	H 207X	SR 72 x 8	2	GS7
2207 K	21 700	22207 CKE4	69 000	H 307X	SR 72 x 10	1	
1307 K	25 300	21307 CDKE4	71 500	H 307X	SR 80 x 10	2	GS7
2307 K	40 000	-	-	H 2307X	SR 80 x 10	1	
1208 K	19 300	-	-	H 208X	SR 80 x 7.5	2	GS 8
2208 K	22 400	22208 EAKE4	90 500	H 308X	SR 80 x 10	1	
1308 K	29 800	21308 EAKE4	94 500	H 308X	SR 90 x 10	2	GS8
2308 K	45 500	22308 EAKE4	136 000	H 2308X	SR 90 x 10	1	
1209 K	22 000	-	-	H 209X	SR 85 x 6	2	GS9
2209 K	23 300	22209 EAKE4	94 500	H 309X	SR 85 x 8	1	
1309 K	38 500	21309 EAKE4	119 000	H 309X	SR 100 x 10.5	2	GS9
2309 K	55 000	22309 EAKE4	166 000	H 2309X	SR 100 x 10	1	
1210 K	22 800	-	-	H 210X	SR 90 x 6.5	2	GS10
2210 K	23 400	22210 EAKE4	99 000	H 310X	SR 90 x 10	1	
1310 K	43 500	21310 EAKE4	142 000	H 310X	SR 110 x 11.5	2	GS10
2310 K	65 000	22310 EAKE4	197 000	H 2310X	SR 110 x 10	1	
1211 K	26 900	-	-	H 211X	SR 100 x 6	2	GS11
2211 K	26 700	22211 EAKE4	119 000	H 311X	SR 100 x 8	1	
1311 K	51 500	21311 EAKE4	142 000	H 311X	SR 120 x 12	2	GS11
2311 K	76 500	22311 EAKE4	234 000	H 2311X	SR 120 x 10	1	
1212 K	30 500	-	-	H 212X	SR 110 x 8	2	GS12
2212 K	34 000	22212 EAKE4	142 000	H 312X	SR 110 x 10	1	
1312 K	57 500	21312 EAKE4	190 000	H 312X	SR 130 x 12.5	2	GS12
2312 K	88 500	22312 EAKE4	271 000	H 2312X	SR 130 x 10	1	

Notes: ⁽²⁾ The X dimension indicates the offset of the bearing center from the center of the plummer block bearing box. When one locating ring is used, it is 1/2 of the locating ring width, and when two rings are used, it becomes 0.

PLUMMER BLOCK APPLICATION

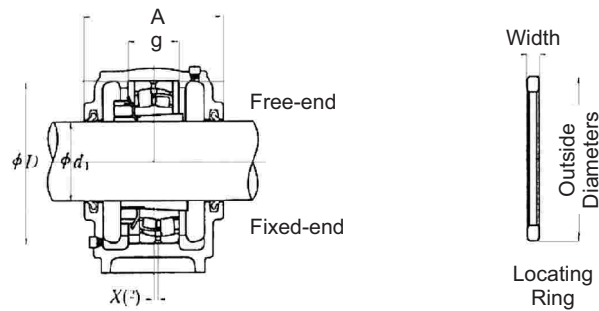
Standard Type Plummer Blocks
 SN 31, SN 5, SN 6 Types
 Shaft Diameter 60 - 100mm



SHAFT DIAMETER (mm) d1	PLUMMER BLOCK BEARING BOX NUMBERS ⁽¹⁾	DIMENSIONS (mm)											t NOMINAL	s NOMINAL
		D H8	H H13	J	N	N1	A	L	A1	H1	H2	g H13		
60	SN 513	120	80	230	18	23	110	275	80	30	150	43	M 12	M 16
	SN 613	140	95	260	22	27	130	315	90	32	175	58	M 16	M 20
65	SN 515	130	80	230	18	23	115	280	80	30	155	41	M 12	M 16
	SN 615	160	100	290	22	27	140	345	100	35	195	65	M 16	M 20
70	SN 516	140	95	260	22	27	120	315	90	32	175	43	M 16	M 20
	SN 616	170	112	290	22	27	145	345	100	35	212	68	M 16	M 20
75	SN 517	150	95	260	22	27	125	320	90	32	185	46	M 16	M 20
	SN 617	180	112	320	26	32	155	380	110	40	218	70	M 20	M 24
80	SN 518	160	100	290	22	27	145	345	100	35	195	62.4	M 16	M 20
	SN 618	190	112	320	26	32	160	380	110	40	225	74	M 20	M 24
85	SN 519	170	112	290	22	27	140	345	100	35	210	53	M 16	M 20
	SN 619	200	125	350	26	32	170	410	120	45	245	77	M 20	M 24
90	SN 520	180	112	320	26	32	160	380	110	40	218	70.3	M 20	M 24
	SN 620	215	140	350	26	32	175	410	120	45	270	83	M 20	M 24
100	SN 3122	180	112	320	26	32	155	380	110	40	218	66	M 20	M 24
	SN 522	200	125	350	26	32	175	410	120	45	240	80	M 20	M 24
	SN 622	240	150	390	28	36	190	450	130	50	300	90	M 24	M 24

- Note (1) Including oil seal
 To place an order for a complete unit, please specify. "Plummer block bearing box + adapter + locating ring".
- Remarks 1. The threads for plugs are R 1/8 for SN 616 and SN 519 or under and R 1/4 for SN 617, SN 520, SN3122, and over.
 2. SN 620 and SN 622 are provided with eye bolts.

PLUMMER BLOCK APPLICATION



APPLICABLE PARTS							
SELF-ALIGNING BALL BEARING		SPHERICAL ROLLER BEARINGS		ADAPTER	LOCATING RINGS		OIL SEALS ⁽²⁾
NUMBERS	BASIC DYNAMIC LOAD RATINGS C ₁ (N)	NUMBERS	BASIC DYNAMIC LOAD RATINGS C ₁ (N)	NUMBERS	NOMINAL (OUTSIDE DIA x WIDTH)	QTY	
1213 K	31 000	-	-	H 213X	SR 120 x 10	2	GS13
2213 K	43 500	22213 EAKE4	177 000	H 313X	SR 120 x 12	1	
1313 K	62 500	21313 EAKE4	212 000	H 313X	SR 140 x 12.5	2	GS13
2313 K	97 000	22313 EAKE4	300 000	H 2313X	SR 140 x 10	1	
1215 K	39 000	-	-	H 215X	SR 130 x 8	2	GS15
2215 K	44 500	22215 EAKE4	190 000	H 315X	SR 130 x 10	1	
1315 K	80 000	21315 EAKE4	250 000	H 315X	SR 160 x 14	2	GS15
2315 K	125 000	22315 EAKE4	390 000	H 2315X	SR 160 x 10	1	
1216 K	40 000	-	-	H 216X	SR 140 x 8.5	2	GS16
2216 K	49 000	22216 EAKE4	212 000	H 316X	SR 140 x 10	1	
1316 K	89 000	21316 EAKE4	284 000	H 316X	SR 170 x 14.5	2	GS16
2316 K	130 000	22136 EAKE4	435 000	H 2316X	SR 170 x 10	1	
1217 K	49 500	-	-	H 217X	SR 150 x 9	2	GS17
2217 K	58 500	22217 EAKE4	250 000	H 317X	SR 150 x 10	1	
1317 K	98 500	21317 EAKE4	289 000	H 317X	SR 180 x 14.5	2	GS17
2317 K	142 000	22317 EAKE4	480 000	H 2317X	SR 180 x 10	1	
1218 K	57 500	-	-	H 218X	SR 160 x 16.2	2	GS18
2218 K	70 500	22218 EAKE4	289 000	H 318X	SR 160 x 11.2	2	
-	-	23218 CKE4	340 000	H 2318X	SR 160 x 10	1	
1318 K	117 000	21318 EAKE4	330 000	H 318X	SR 190 x 15.5	2	GS18
2318 K	154 000	22318 EAKE4	535 000	H2318X	SR 190 x 10	1	
1219 K	64 000	-	-	H219X	SR 170 x 10.5	2	GS19
2219 K	84 000	22219 EAKE4	330 000	H 319X	SR 170 x 10	1	
1319 K	129 000	21319 CKE4	345 000	H 319X	SR 200 x 16	2	GS19
2319 K	161 000	22319 EAKE4	590 000	H 2319X	SR 200 x 10	1	
1220 K	69 500	-	-	H 220X	SR 180 x 18.1	2	GS20
2220 K	94 500	22220 EAKE4	365 000	H 320X	SR 180 x 12.1	2	
-	-	23220 CKE4	420 000	H 2320X	SR 180 x 10	1	
1320 K	140 000	21320 CKE4	395 000	H 320X	SR 215 x 18	2	GS20
2320 K	187 000	22320 EAKE4	690 000	H 2320X	SR 215 x 10	1	
-	-	23122 CKE4	385 000	H3122X	SR 180 x 10	1	GS22
1222 K	87 000	-	-	H 222X	SR 200 x 21	2	GS22
2222 K	122 000	22222 EAKE4	485 000	H 322X	SR 200 x 13.5	2	
-	-	23222 CKE4	515 000	H 2322X	SR 200x 10	1	
1322 K	161 000	21322 CAKE4	450 000	H 322X	SR 240 x 20	2	GS22
2322 K	211 000	22322 EAKE4	825 000	H 2322X	SR 240 x 10	1	

Notes: (2) The X dimension indicates the offset of the bearing center from the center of the plummer block bearing box. When one locating ring is used, it is 1/2 of the locating ring width, and when two rings are used, it becomes 0.

TRACTOR WHEEL BEARING KITS

Massey Ferguson MF, TED, TEF35/36	VKTK 509	15123/245 09067/09195 S2528 of 1.56x2.68x.37
Massey Ferguson MF65, 135, 235, 150, 165, 175, 180, 245, 255, 265, 275 & some 1080 Front Wheel Bearing	VKTK 510	LM48548/10 LM11949/10 S1087 of 1.87x2.75x.37
Massey Ferguson 165HD, 178HD, 185HD, 188HD	VKTK 511	25590/25520 LM67048/10 S2622 of 2.37x3.37x.5
Massey Ferguson 135HD, 175HD	VKTK 512	25590/25520 LM67048/10 S2622 of 2.37x3.37x.5
Massey Ferguson 1100, 1130, 1105, 1150 Front Wheel Bearing		3780/3720 25877/25821
Massey Ferguson TE20, TO20, TO30, TO35, MF35, FE35, MF65, MF40 & MF50 Front Wheel Bearing		09067/195 15123/245
Fordson - Dexta	VKTK 516	LM67048/10 LM11949/10 S2724 of 3.87x5.65x.5
Fordson 2000/3000	VKTK 517	LM67048/10 LM11949/10 S2724 of 3.87x5.87x.5
Fordson 4000	VKTK 518	LM48548/10 LM12649/10 S2721
Fordson 5000, 6600, 7000, 7600	VKTK 519	LM501349/10 LM12649/10 S2694 2. of 06x2.93x.37
International IH 1086 Rear Wheel Bearings		HM212049/11 & 497/493
International IH 1066 Rear Wheel Bearings		JM2112049/11 & 596/JM719113
International IH 766, 966, 986 & 1066 Hydro Rear Wheel Bearings		HM212049/11 & 497/493
International IH 1466, 1486 & 1468 Rear Wheel Bearings		5595/5535 & 598/JM719113
Ford 600, 700, 800, 900, 2000 & 4000 from serial number 13787 through 1974 Front Wheel Bearing		LM67048/10 & LM11949/10
Ford 600, 700, 800, 900, 2000 & 4000 to serial number 13787 Front Wheel Bearing		09067/09195 & 15123/15245

CROSS REFERENCES

BMG NUMBER	ALT NUMBER	BMG NUMBER	ALT NUMBER
A27002	DG1952ARSL	1851951(ST491 Insert)	209TTR12
AA21480	06D08	1851951(ST491 Insert)1851143	LGW12C-204
AA21480	838607A-RS	1851951(ST491 Insert)1851143	1320CE
AA21480	83W607R	1851951(ST491 Insert)1851143	RB204-12
AA21480	DG1645ARSL	1851951(ST491 Insert)1852071	RB204-20
AA21480	SX16451BCL8	1851951(ST491 Insert)1852071	LGW112-20
AA28271	205PP13	30BD40T12WCG21	AA38601
AA22097	205PPB13	30BD40T12WCG21	6006RK
AA34616	DG2426ARSL	30BD40T12WCG215122028	615465A
AA34616	206KPR4	30BD40T12WCG215122028	630803
AA34616HD	206KPR4	30BD40T12WCG215122028	82045
AA34616HD	DG2562ARSL	307418C SKF Ref BRG	82075
AA38601	30BD40T12	XF000	SR491A
DG1645ARSL	AA2180	JD32167	411458911
AA22098	SB205G	PF951A	XF013
AA22099	SB205H	AS4509BA	AS4509AD
AA59196	27K08R2	AS4509BA	4509/2TR-205c
AA59196	03N06R2KOYO	GW208PPB6	613233-3
AA28186	GW211PPB20	GW208PPB6	AS4508BH
W30-75 S1	AA35741	GW208PPB12	613233A
30BD40T12VVC21	AA3860/6006RK	CJ13975	DG1542ARSL
AN212132	DG1640ARSL	AN212132	DG1640ARSL
AN212132	5203KYY2	AA21480	DG1645ARSL
AN142670	203KRR2	CJ13976	DG1747ARSL
AN142670	AN281357	A27002	DG1952ARSL
AN142670	SX0361CS13	AA34616	DG2526ARSL
AN142670	SX0361L	GW309PPB2	GCT777
CJ13975	DG1542ARSL	LM67048	J/D8187
CJ13976	DG1747ARSL	LM67010	J/D8225
W30-75 S1	AA21015	80MSZP	MS80BRG PLATE
W30-75 S1	AA35741	1852071	RB204-20/LGW112-20
W30-75 S1	IBO7330.SRSP	1851143	RB204-12/LGW112C2C4
W30-75 S1	IBO73309	AA22098	SB205G
W247-647B	DG1647ARSL	AA22099	SB205H
GW309PPB2	GCT777	MIS313	SM97/98X124X13
GW211PPB20	AA28186	ST491A	XF009
KOYODG4092A2RKBDNSH2C3	40TMK08 40X92X25NR	PF951	XF013
LM67048	J/D8187	AN142670	203KRR2
MIS313	SM98X124X13	AA28271	205PP13
M1387568 1/2 M/CASE	S2724	AA22097	205PPB13
Housing for GW309PPB2	GCT777	AA34616	206KPR4
1851951(ST491 Insert)	18511859	185195	209TTR12/18511859
307418C SKF REL BRG	82075	5122028	80204/630803/615465A
K13621	70937210	LM67010/48	J/D8225
K13600LA	71127426	SAPF206	JD39103
45449/10	3312274	SAPF207	JD39104

BRINGING THE WORLD'S BEST BRANDS TO YOU

In the bid to procure cutting-edge components at competitive prices, BMG is able to capitalise on long-standing relationships with leading manufacturers dedicated to excellence in design and production.

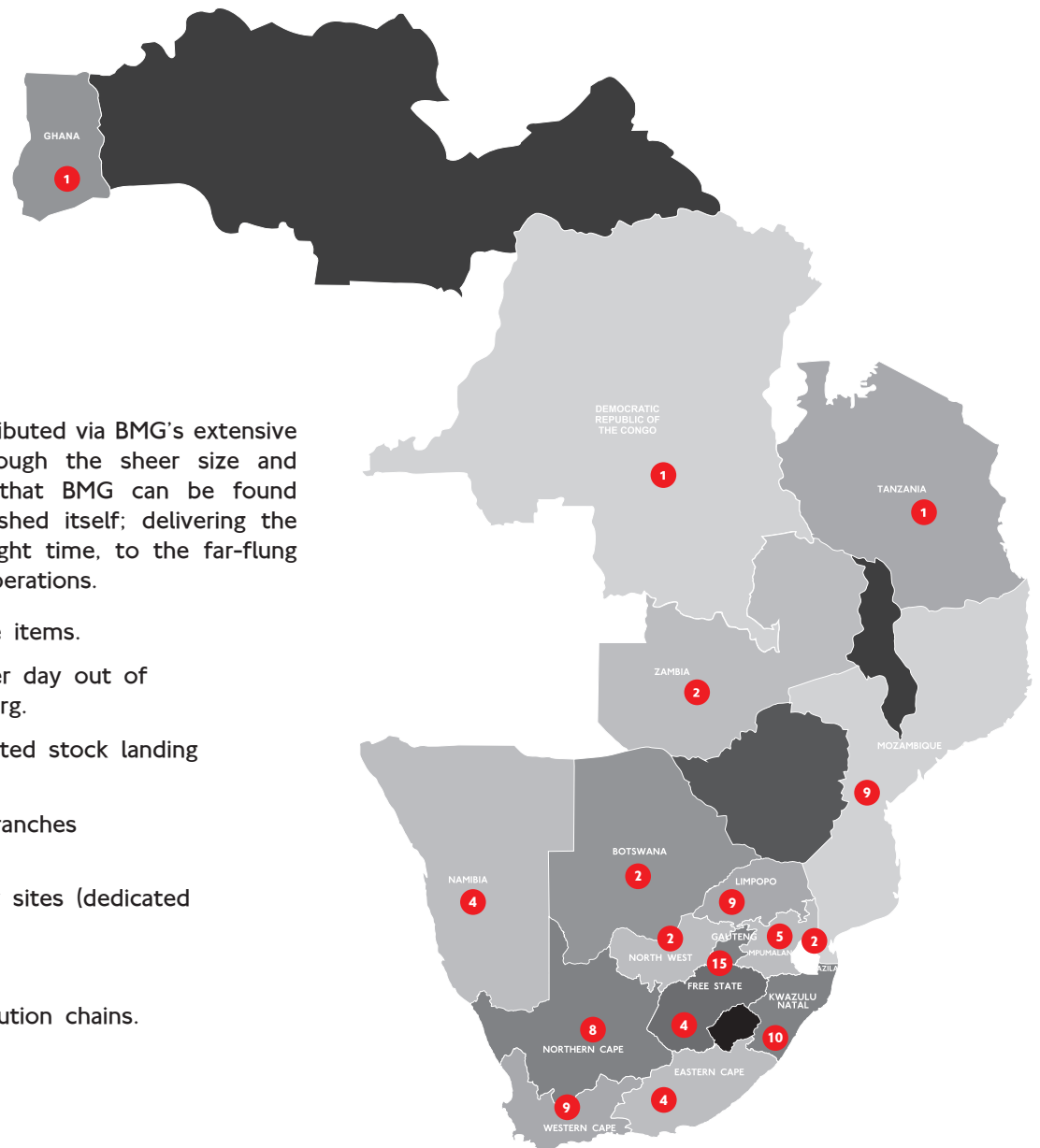
Products are imported from around the globe and brought to BMG's strategically located distribution facilities and regional service centres via the main distribution hub in Johannesburg - BMG World. A world-class facility boasting 308 000m³ of fully stocked warehouse space, an accredited training facility and unlimited engineering capabilities.

Our Extensive Coverage Throughout Africa

88
BRANCHES

Products and services are distributed via BMG's extensive distribution network. It's through the sheer size and reach of our infrastructure, that BMG can be found wherever industry has established itself; delivering the correct components at the right time, to the far-flung coalface of our customers' operations.

- Over 300 000 product line items.
- Around 4 500 transfers per day out of BMG World in Johannesburg.
- Over 1 000 tons of imported stock landing per month.
- 88 strategically situated branches throughout Africa.
- Vendor Managed Inventory sites (dedicated on-site stockholding).
- International exports.
- Locally empowered distribution chains.



24 HR TOLL-FREE EMERGENCY
BRANCH HELPLINE:

0800 022 224

WEBSITE:

www.bmgworld.net



An Invieta Holdings Group Company

BEARINGS • SEALS • POWER TRANSMISSION • DRIVES & MOTORS
MATERIALS HANDLING • TOOLS & FASTENERS • HYDRAULICS
FILTRATION • LUBRICATION • FIELD SERVICE