



AGRICULTURAL PRODUCT

Catalogue

Edition 4



B-BBEE 2
EMPOWERING SUPPLIER

ISO 9001	Certified
ISO 14001	Certified
ISO 45001	Certified

ABOUT US

Established in 1974 as a single bearing shop in Durban, South Africa; BMG's aggressive growth strategy has included acquisitions, supplemented by a steady organic growth discipline. BMG attracts best-of-breed talent resulting in technical expertise that differentiates BMG in the industry. Staff are truly part of the BMG family and its success.

BMG boasts an accredited in-house technical and commercial training academy which fosters a culture of staff development and career advancement; it's all about sustainability.

The net result, is a company that reliably supplies and supports 70 000 customers in 9 countries with the widest range of industrial engineered products and expert services in Africa via 88 branches.

BMG is positioned to deliver bespoke 360 degree solutions to its customers, and subsequently return on investment to its investors and shareholders. BMG plays a pivotal role in supporting the productivity and production targets of all Industrial, Manufacturing, Mining and Agricultural sectors of the economies in the countries it serves. With an enviable reputation as Africa's largest distributor, manufacturer and service provider of the highest quality engineering consumables and components; including

- Bearings & Seals
- Power Transmission Components
- Drives, Motors and Controllers
- Hydraulics, Pneumatics and Filtration
- Heavy and Light Duty Materials Handling
- Valves and Lubrication
- Fasteners, Gaskets and Tools

BMG is a level 2 BEE contributor with ISO 9001 Quality Assurance certification. Health and safety of its employees and customers is a paramount focus and the company adheres to ISO 45001. BMG is also committed to environmental care and sustainability and strictly follows the ISO 14001 charter.

As a key contributor to the Invicta Holdings stable, BMG has played a major part in Invicta's unique achievement of being rated in South Africa's Top 100 Companies for 21 consecutive years.



AGRICULTURAL CHAIN

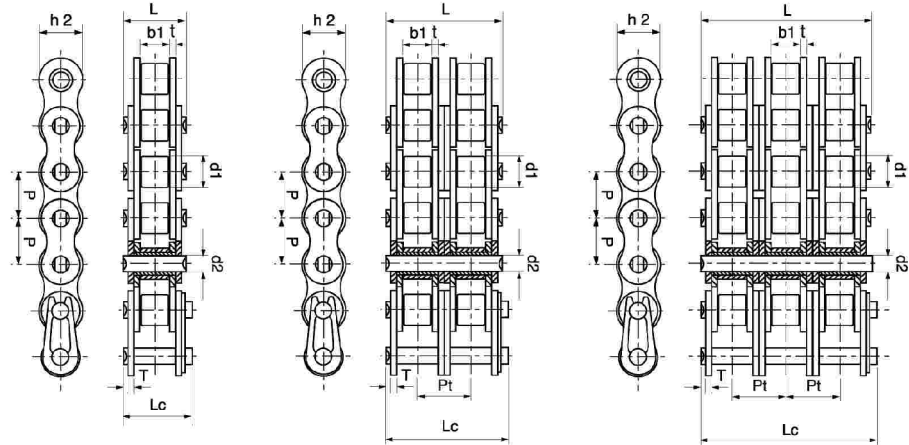
CONTENTS

British Standard Roller Chain	55
American Standard Roller Chain	56
Agricultural Planter Chain	57
S Type Steel Agricultural Chain with Attachments	58
C Type Steel Agricultural Chain With Attachments	59
Agricultural Chains	60-63
Baler Chains	64
Corn Picker Chains	65-67
Summary - Combine Chain	68-69
Rubber Paddles	70
Chain Installation & Maintenance	71
Lubrication	72



BRITISH STANDARD ROLLER CHAIN

BRITISH STANDARD ROLLER CHAINS
BS 228, ISO R606, DIN 8187



Example: Part No. = 04B-01

ISO Chain No	Pitch	Roller Diameter	Width Between Inner Plates	Pin Diameter	Pin Length		Inner Plate Depth	Plate Thickness	Transverse Pitch	Minimum Tensile Strength	Average Tensile Strength	Weight per Metre
	P mm	d max mm	d min mm	d max mm	L max mm	Lc max mm	h2 max mm	t/T max mm	Pt mm	Q min kN	Qo kN	q kg/m
04B-1	6.000	4.00	2.80	1.85	6.80	7.80	5.00	0.60		3.00	3.20	0.11
05B-1	8.000	5.00	3.00	2.31	8.20	8.90	7.10	0.80		5.00	5.90	0.20
*06B-1	9.525	6.35	5.72	3.28	13.15	14.10	8.20	1.30		9.00	10.40	0.41
08B-1	12.700	8.51	7.75	4.45	16.70	18.20	11.80	1.60		18.00	19.40	0.69
10B-1	15.875	10.16	9.65	5.08	19.50	20.90	14.70	1.70		22.40	27.50	0.93
12B-1	19.050	12.07	11.68	5.72	22.50	24.20	16.00	1.85		29.00	32.20	1.15
16B-1	25.400	15.88	17.02	8.28	38.10	37.40	21.00	4.15/3.1		60.00	72.80	2.71
20B-1	31.750	19.05	19.56	10.19	41.30	45.00	26.40	4.5/3.5		95.00	106.70	3.70
24B-1	38.100	25.40	25.40	14.63	53.40	57.80	33.20	6.0/4.8		160.00	178.00	7.10
28B-1	44.450	27.94	30.99	15.90	65.10	69.50	36.70	7.5/6.0		200.00	222.00	8.50
32B-1	50.800	29.21	30.99	17.81	66.00	71.00	42.00	7.0/6.0		250.00	277.50	10.25
40B-1	63.500	39.37	38.10	22.89	82.20	89.20	52.96	8.5/8.0		355.00	394.00	16.35
48B-1	76.200	48.26	45.72	29.24	99.10	107.00	63.80	12/10		560.00	621.60	25.00
05B-2	8.000	5.00	3.00	2.31	13.90	14.50	7.10	0.80	5.64	7.80	10.20	0.33
*06B-2	9.525	6.35	5.72	3.28	23.40	24.40	8.20	1.30	10.24	16.90	18.70	0.77
08B-2	12.700	8.51	7.75	4.45	31.20	32.20	11.80	1.60	13.92	32.00	38.70	1.34
10B-2	15.875	10.16	9.65	5.08	36.10	37.50	14.70	1.70	16.59	44.50	56.20	1.84
12B-2	19.050	12.07	11.68	5.72	42.00	43.60	16.00	1.85	19.46	57.80	66.10	2.31
16B-2	25.400	15.88	17.02	8.28	68.00	69.30	21.00	4.15/3.1	31.88	106.00	133.00	5.42
20B-2	31.750	19.05	19.56	10.19	77.80	81.50	26.40	4.5/3.5	36.45	170.00	211.20	7.20
24B-2	38.100	25.40	25.40	14.63	101.70	106.20	33.20	6.0/4.8	48.36	280.00	319.20	13.40
28B-2	44.450	27.94	30.99	15.90	124.60	129.10	36.70	7.5/6.0	59.56	360.00	406.80	16.60
32B-2	50.800	29.41	30.99	17.81	124.60	129.60	42.00	7.0/6.0	58.55	450.00	508.50	21.00
40B-2	63.500	39.37	38.10	22.89	154.50	161.50	52.96	8.5/8.0	72.29	630.00	711.90	32.00
48B-2	76.200	48.26	45.72	29.24	190.40	198.20	63.80	12/10	91.21	1000.00	1130.00	50.00
*06B-3	9.525	6.35	5.72	3.28	33.50	34.60	8.20	1.30	10.24	24.90	30.10	1.16
08B-3	12.700	8.51	7.75	4.45	45.10	46.10	11.80	1.60	13.92	47.50	57.80	2.03
10B-3	15.875	10.16	9.65	5.08	52.70	54.10	14.70	1.70	16.59	66.70	84.50	2.77
12B-3	19.050	12.07	11.68	5.72	61.50	63.10	16.00	1.85	19.46	86.70	101.80	3.46
16B-3	25.400	15.88	17.02	8.28	99.80	101.20	21.00	4.15/3.1	31.88	160.00	203.70	8.13
20B-3	31.750	19.05	19.56	10.19	114.20	117.90	26.40	4.5/3.5	36.45	250.00	290.00	10.82
24B-3	38.100	25.40	25.40	14.63	150.10	154.60	33.20	6.0/4.8	48.36	425.00	493.00	20.10
28B-3	44.450	27.94	30.99	15.90	184.20	188.70	36.70	7.5/6.0	59.56	530.00	609.50	24.92
32B-3	50.800	29.21	30.99	17.81	183.20	188.20	42.00	7.0/6.0	58.55	670.00	770.50	31.56
40B-3	63.500	39.37	38.10	22.89	226.80	233.80	52.96	8.5/8.0	72.29	950.00	1092.50	48.10
48B-3	76.200	48.26	45.72	29.24	281.60	289.40	63.80	12/10	91.21	1500.00	1710.00	75.00

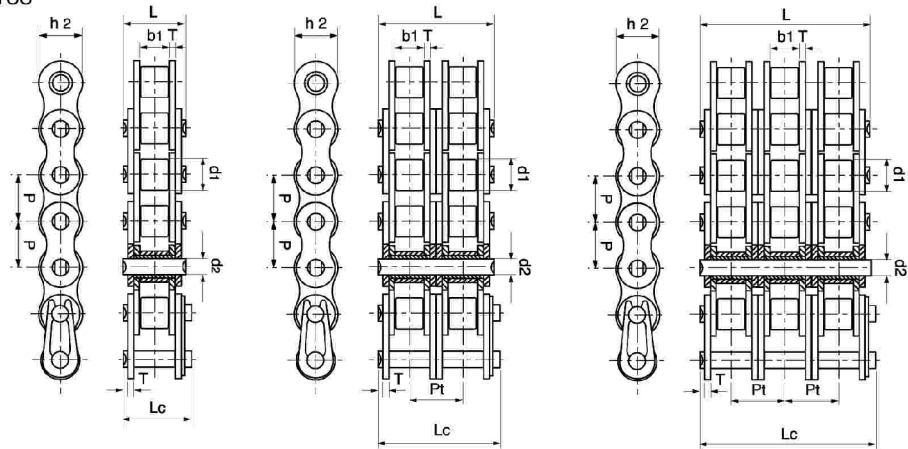
* Straight Side Plates.

Dimensions in mm.

Standard pack size is 5 metres (16.4 feet).

AMERICAN STANDARD ROLLER CHAIN

AMERICAN STANDARD ROLLER CHAINS ANSI B29.1, ISO R606, DIN 8188

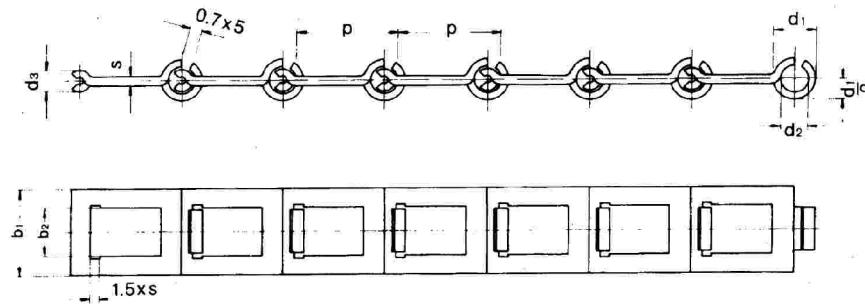


Example: Part No. = ASA 25-1

ANSI Chain No	ISO Chain No	Pitch P mm	Roller Diameter d: max mm	Width Between Inner Plates d: min mm	Pin Diameter d: max mm	Pin Length		Inner Plate Depth h: max mm	Plate Thickness T max mm	Transverse Pitch Pt mm	Minimum Tensile Strength Q min kN	Average Tensile Strength Qo kN	Weight per Metre q kg/m
						L max mm	Lc max mm						
•25	•04C-1	6.350	3.30	3.18	2.31	7.90	8.40	6.00	0.80		3.50	4.60	0.15
•35	•06C-1	9.525	5.08	4.77	3.58	12.40	13.17	9.00	1.30		7.90	10.80	0.33
40	08A-1	12.700	7.95	7.85	3.96	16.60	17.80	12.00	1.50		14.10	17.50	0.62
41	085-1	12.700	7.77	6.25	3.58	13.75	15.00	9.91	1.30		6.67	12.60	0.41
50	10A-1	15.875	10.16	9.40	5.08	20.70	22.20	15.09	2.03		22.20	29.40	1.02
60	12A-1	19.050	11.91	12.57	5.94	25.90	27.70	18.00	2.42		31.80	41.50	1.50
80	16A-1	25.400	15.88	15.75	7.92	32.70	35.00	24.00	3.25		56.70	69.40	2.60
100	20A-1	31.750	19.05	18.90	9.53	40.40	44.70	30.00	4.00		88.50	109.20	3.91
120	24A-1	38.100	22.23	25.22	11.10	50.30	54.30	35.70	4.80		127.00	156.30	5.62
140	28A-1	44.450	25.40	25.22	12.70	54.40	59.00	41.00	5.60		172.40	212.00	7.50
160	32A-1	50.800	28.58	31.55	14.27	64.80	69.60	47.80	6.40		226.80	278.90	10.10
180	36A-1	57.150	35.71	35.48	17.46	72.80	78.60	53.60	7.20		280.20	341.80	13.45
200	40A-1	63.500	39.68	37.85	19.85	80.30	87.20	60.00	8.00		353.80	431.60	16.15
240	48A-1	76.200	47.63	47.35	23.81	95.50	103.00	72.39	9.50		510.30	622.50	23.20
•25-2	•04C-2	6.350	3.30	3.18	2.31	14.50	15.00	6.00	0.80	6.40	7.00	8.60	0.28
•35-2	•06C-2	9.525	5.08	4.77	3.58	22.50	23.30	9.00	1.30	10.13	15.80	19.70	0.63
40-2	08A-2	12.700	7.95	7.85	3.96	31.00	32.20	12.00	1.50	14.38	28.20	35.90	1.12
50-2	10A-2	15.875	10.16	9.40	5.08	38.90	40.40	15.09	2.03	18.11	44.40	58.10	2.00
60-2	12A-2	19.050	11.91	12.57	5.94	48.80	50.50	18.00	2.42	22.78	63.60	82.10	2.92
80-2	16A-2	25.400	15.88	15.75	7.92	62.70	64.30	24.00	3.25	29.29	113.40	141.80	5.15
100-2	20A-2	31.750	19.05	18.90	9.53	76.40	80.50	30.00	4.00	35.76	177.00	219.40	7.80
120-2	24A-2	38.100	22.23	25.22	11.10	95.80	99.70	35.70	4.80	45.44	254.00	314.90	11.70
140-2	28A-2	44.450	25.40	25.22	12.70	103.30	107.90	41.00	5.60	48.87	344.80	427.50	15.14
160-2	32A-2	50.800	28.58	31.55	14.27	123.30	128.10	47.80	6.40	58.55	453.60	562.40	20.14
180-2	36A-2	57.150	35.71	35.48	17.46	138.60	144.40	53.60	7.20	65.84	560.50	695.00	29.22
200-2	40A-2	63.500	39.68	37.85	19.85	151.90	158.80	60.00	8.00	71.55	707.60	877.40	32.24
240-2	48A-2	76.200	47.63	47.35	23.81	183.40	190.80	72.39	9.50	87.83	1020.60	1255.30	45.23
•25-3	•04C-3	6.350	3.30	3.18	2.31	21.00	21.50	6.00	0.80	6.40	10.50	12.60	0.44
•35-3	•06C-3	9.525	5.08	4.77	3.58	32.70	33.50	9.00	1.30	10.13	23.70	28.60	1.05
40-3	08A-3	12.700	7.95	7.85	3.96	45.40	46.60	12.00	1.50	14.38	42.30	50.00	1.90
50-3	10A-3	15.875	10.16	9.40	5.08	57.00	58.50	15.09	2.03	18.11	66.60	77.80	3.09
60-3	12A-3	19.050	11.91	12.57	5.94	71.50	73.30	18.00	2.42	22.78	95.40	111.10	4.54
80-3	16A-3	25.400	15.88	15.75	7.92	91.70	93.60	24.00	3.25	29.29	170.10	198.40	7.89
100-3	20A-3	31.750	19.05	18.90	9.53	112.20	116.30	30.00	4.00	35.76	265.50	309.60	11.77
120-3	24A-3	38.100	22.23	25.22	11.10	141.40	145.20	35.70	4.80	45.44	381.00	437.20	17.53
140-3	28A-3	44.450	25.40	25.22	12.70	152.20	156.80	41.00	5.60	48.87	517.20	593.30	22.20
160-3	32A-3	50.800	28.58	31.55	14.27	181.80	186.60	47.80	6.40	58.55	680.40	780.60	30.02
180-3	36A-3	57.150	35.71	35.48	17.46	204.40	210.20	53.60	7.20	65.84	840.70	983.60	38.22
200-3	40A-3	63.500	39.68	37.85	19.85	223.50	230.40	60.00	8.00	71.55	1061.40	1217.80	49.03
240-3	48A-3	76.200	47.63	47.35	23.81	271.30	278.60	72.39	9.50	87.83	1530.90	1756.50	71.60

• Bushing chain, d1 indicates the external diameter of the bushing. Dimensions in mm. Standard pack size is 5 metres (16.4 feet).
Cottered Chain can be supplied for all chains of 19,05 mm pitch and above.

AGRICULTURAL PLANTER CHAIN



Example: Part No. = 25

Chain No	Pitch P	d_1 max	d_2 max	d_3 max	$\frac{d_1}{2}$ max	b_1 max	b_2 max	s N	N	≈	kg 100 links
25	23.0	9	5.2	3.8	4.50	20.5	11.5	1.90	4300	100	0.84
32	29.5	12	7.0	5.7	6.00	26.0	15.0	2.50	7500	150	1.65
33	35.0	14	8.3	6.0	7.00	29.0	15.0	2.85	8000	150	2.60
42	35.0	14	8.3	6.0	7.00	33.0	20.0	2.85	10500	150	3.00
45	41.3	16	10.3	8.0	8.00	33.0	19.5	2.85	9500	150	3.58
51	29.0	13	7.3	5.2	6.50	29.0	16.5	2.85	7500	150	2.23
52	38.5	16	9.3	8.0	8.00	37.0	21.5	3.35	12200	150	4.49
55	41.3	16	9.3	8.0	8.00	35.0	20.0	3.35	12600	150	4.50
62	42.0	18	10.0	8.0	9.00	42.0	25.5	4.00	20000	200	6.65
67	58.5	23.5	13.8	12.0	11.75	52.0	28.0	4.85	23000	200	13.74

Dimensions (mm).

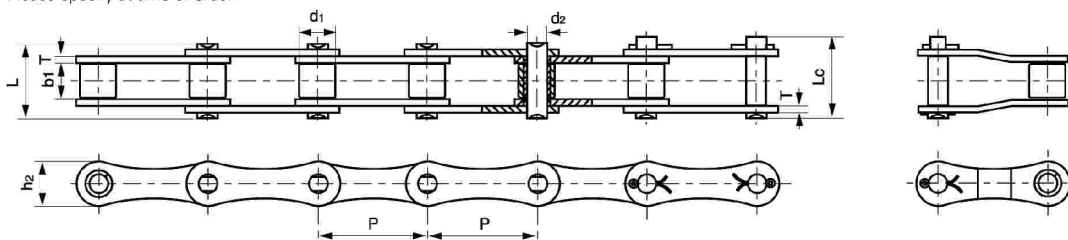
Standard tolerances.

Special sizes and attachments can be developed and quoted on request.

Note: Also available in cast iron.

'S' TYPE STEEL AGRICULTURAL CHAINS

All 'S' type chain and attachments can be supplied zinc plated.
Please specify at time of order.



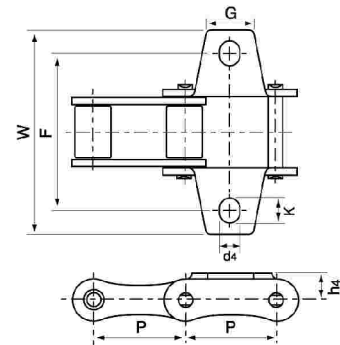
ISO Chain No	Pitch	Roller Diameter	Width Between Inner Plates	Pin Diameter	Pin Length		Inner Plate Depth	Plate Thickness	Minimum Tensile Strength	Average Tensile Strength	Weight per Metre
	P mm	d_1 max mm	d_1 min mm	d_1 max mm	L max mm	L_c max mm	h_2 max mm	T max mm	Q min kN	Q_0 kN	q kg/m
S32	29.21	11.43	15.88	4.45	26.70	28.80	13.20	1.80	8.00	21.60	0.86
S42	34.93	14.27	19.05	7.00	34.30	37.00	19.80	2.80	27.00	50.80	1.60
S45	41.40	15.24	22.23	5.72	37.70	40.40	17.30	2.80	18.00	36.10	1.66
S52	38.10	15.24	22.23	5.72	37.70	40.40	17.30	2.80	18.00	36.10	1.68
S55	41.40	17.78	22.23	5.72	37.70	40.40	17.30	2.80	18.00	36.10	1.80
S55R	41.40	17.78	22.23	8.90	41.00	44.00	22.40	3.50	45.00	73.10	2.49
S62	41.91	19.05	25.40	5.72	40.30	43.00	17.30	2.50	27.00	36.10	1.87
S77	58.34	18.26	22.23	8.90	43.20	46.40	26.20	4.00	45.00	73.10	2.65
S88	66.27	22.86	28.58	8.90	49.80	53.00	26.20	4.00	45.00	73.10	3.25

S TYPE STEEL AGRICULTURAL CHAIN WITH ATTACHMENTS

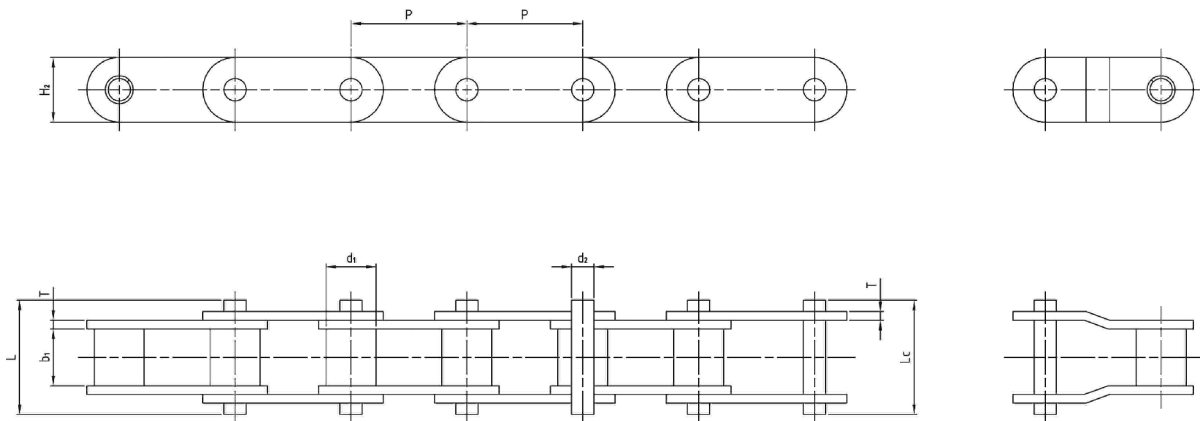
'S' TYPE STEEL AGRICULTURAL CHAIN ATTACHMENTS

Chain No	Pitch	Width	Hole Centres	Overall Width	Platform Height	Hole Dia	Elongated Slot Width
	P mm	G mm	F mm	W mm	h ₄ mm	d ₄ mm	K mm
S32K1	29.21	15.00	42.90	61.00	8.60	5.30	6.90
S42K1	34.93	17.50	54.00	74.90	14.00	8.30	11.50
S45K1	41.40	22.00	54.00	75.00	11.40	8.50	11.70
S52K1	38.10	19.00	58.80	78.00	11.40	8.30	9.90
S55K1	41.40	22.00	54.00	75.00	11.40	8.50	11.70
S62K1	41.91	22.00	66.80	95.40	11.40	6.50	13.00
S62F2	41.91	22.00	66.80	95.40	11.40	8.30	14.70

K-I ATTACHMENTS



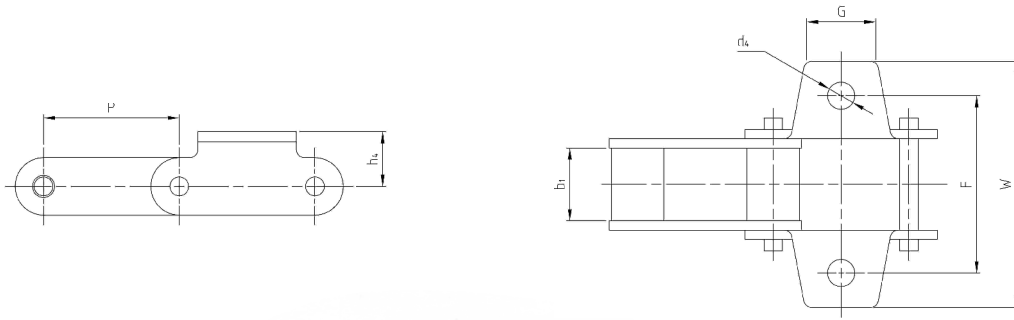
STANDARD AGRICULTURAL CHAIN BASIC DIMENSIONS



CHAIN NO.	PITCH	ROLLER DIAMETER	WIDTH BETWEEN INNER PLATES	PIN DIAMETER	PIN LENGTH		PLATE DIMENSION		ULTIMATE TENSILE STRENGTH	AVERAGE TENSILE STRENGTH	WEIGHT PER METER
	P mm	d ₁ max	b ₁ min	d ₂ max	L max	L _c max	h ₂ max	T max	Q min kN/LB	Q ₀ kN	q kg/m
CA550	41.400	16.87	19.81	7.19	35.0	38.0	19.30	2.80	39.10/8886	51.2	1.94
CA555	41.400	16.87	12.70	7.19	29.1	32.0	19.30	3.10	39.10/8886	56.0	1.72
CA557	41.400	17.78	20.24	8.00	37.4	40.6	23.10	3.10	55.61/12639	74.3	2.60
CA620	42.010	17.91	24.51	7.19	41.8	45.2	20.20	3.25	39.10/8886	55.1	2.35
CA627	30.00	15.88	19.05	8.28	36.1	39.4	20.5	3.00	50.0/11247	55.0	2.51
C2060H	38.100	11.91	12.70	5.94	29.2	31.6	18.00	3.25	31.10/6996	40.5	1.45
38.4V	38.400	15.88	18.00	6.92	35.0	38.0	17.30	3.00	40.00/9091	50.0	1.83
38.4VB	38.400	15.88	19.05	8.28	36.1	39.4	20.50	3.00	50.00/11363	62.5	2.17
CA650	50.80	19.05	19.05	9.53	40.4	44.7			90.00/20454	99.0	
216BF	50.80	15.88	17.02	8.28	37.8	41.3			60.00/13636	70.8	

*D - Dimple on outer links.

C TYPE STEEL AGRICULTURAL CHAIN WITH ATTACHMENTS



CA550K1



CA550K25

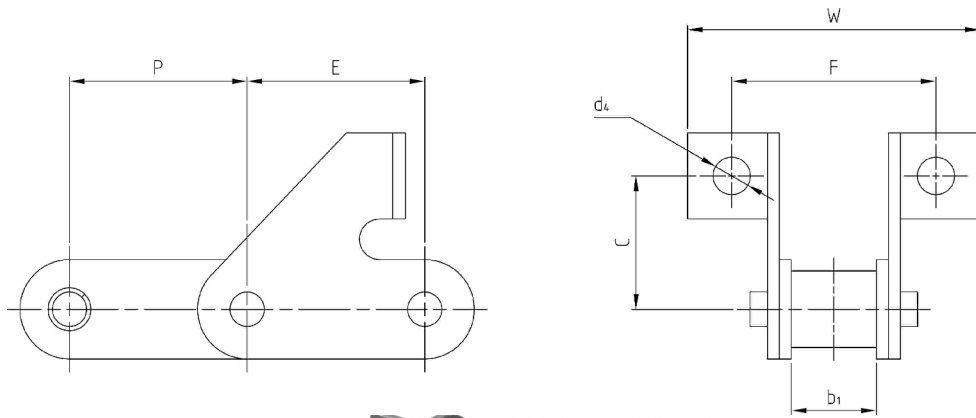


38.4VB.K1



CHAIN NO.	P mm	b1 mm	G mm	F mm	W mm	h4 mm	d4 mm
38.4VK1	38.4	18.00	29.00	57.5	82.00	15.4	9.00
38.4VB.K1	38.4	19.05	29.00	58.0	87.00	14.0	10.5
CA550K25	41.4	19.81	22.23	50.8	71.40	12.7	8.70
CA550K1	41.4	19.05	27.00	54.0	76.2	16.5	8.50

AGRICULTURAL CHAINS



38.4VBSD

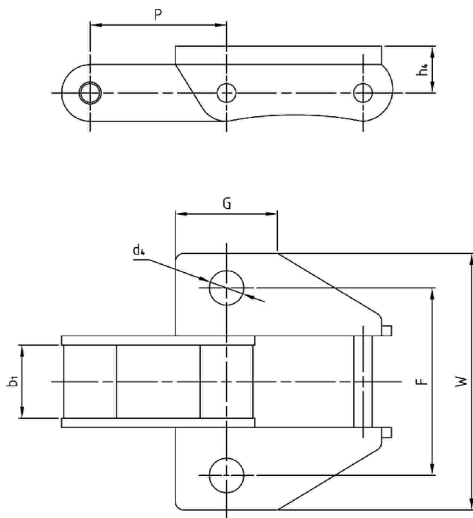


CA550SD

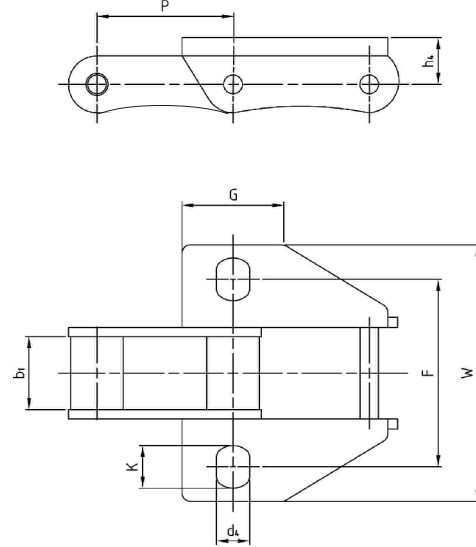


CHAIN NO.	P mm	b ₁ mm	E mm	F mm	W mm	C mm	d ₄ mm
S45	41.4	22.23	41.4	58.0	88.5	16.0	6.4
S55	41.4	22.23	41.4	58.0	88.5	16.0	6.4
38.4VSD	38.4	18.00	38.4	52.0	71.0	24.0	8.4
38.4VBSD	38.4	19.05	38.4	52.0	71.0	25.0	8.4
CA550SD	41.4	19.81	41.4	47.6	68.2	31.0	8.7

CA - Design



A - Design



CA557K39MS



CA550K39

Round holes.

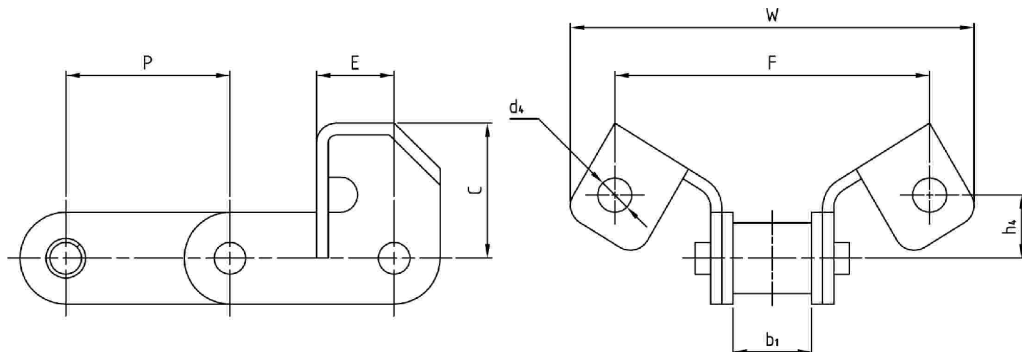
CHAIN NO.	P mm	b1 mm	G mm	F mm	W mm	h4 mm	d4 mm
CA550K39	41.4	19.81	29.5	50.80	71.4	12.7	9.8
CA557K39	41.4	20.24	29.5	50.80	71.4	12.7	9.8

A557K39MF4	41.4	20.24	29.5	56.70	77.8	13.5	10.30
A557K39MF7	41.4	20.24	29.5	63.00	88.0	13.5	11.00
A557F1K39M	41.4	20.24	31.0	57.00	78.0	14.2	10.50
A557K39MF22.06	41.4	20.24	31.0	67.20	95.0	14.2	10.50
A557K39MF22.08	41.4	20.24	31.0	67.20	95.0	14.2	10.50

***S - Slotted holes.**

CHAIN NO.	P mm	b1 mm	G mm	F mm	W mm	h4 mm	d4 mm	K mm
CA550K39MS	41.4	19.81	29.5	50.80	71.4	12.7	9.9	13
CA557K39MS	41.4	20.24	29.5	50.80	71.4	12.7	9.9	13
CA557K39N2	41.4	20.24	31.0	57.15	78.0	14.2	10.5	13

AGRICULTURAL CHAINS

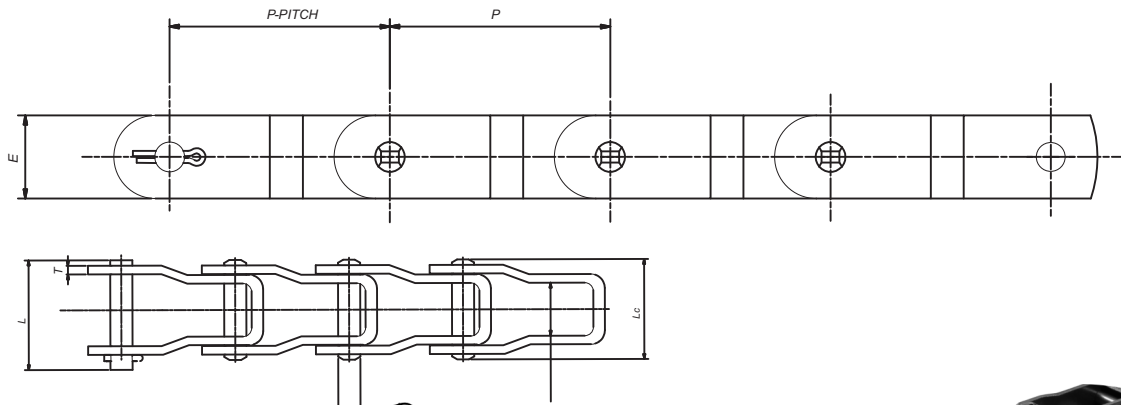


CA550F14

CHAIN NO.	P mm	b ₁ mm	E mm	C mm	F mm	W mm	h ₄ mm	d ₄ MM
CA550F13	41.4	19.05	25.40	59.60	79.35	135.45	28.60	8.74
CA550F14	41.4	19.80	20.24	31.75	79.40	101.60	15.90	8.33
CA550F14	41.4	20.24	19.60	34.00	79.40	109.80	15.88	8.60
CA550F15	41.4	19.81	24.00	35.26	61.98	95.25	19.05	6.37
CA550HD F13	-	19.48	25.40	59.6	79.4	135.4	28.6	8.8
CA550HD F15	41.4	20.24	23.68	40.89	114.30	143.70	20.51	9.91
CA550HD F17	41.4	19.05	-	-	133.3	201.9	52.3	9.91

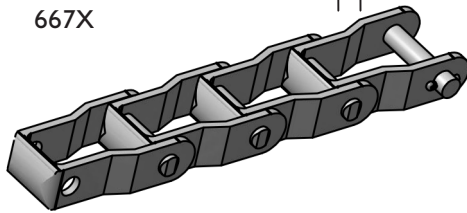


K8 PART NO.	K8 DESCRIPTION
C2060H CHAIN	1.1/2 DOUBLE PITCH CHAIN + HEAVY DUTY
C2060H DARCO CHAIN EP-2L	C2060H DACROMAT CHAIN C/W EXT. PIN EVERY 2ND PIN
C2060H DECRO SS-EP	C2060H DECRO CHAIN C/W SS-EXT PIN EVERY 2ND PIN
C2060H GAL CHAIN EP-1L	C2060H GAL CHAIN C/W EXT. PIN EVERY PIN
C2060H NP 1LGK1	C2060H NP 1LGK1 CHAIN WITH 8MM HOLES EVERY LINK
C2060H NP SS-EP BTC	C2060H NP CHAIN C/W SS EXT. PIN EVERY 2ND LINK
C2060H 55 2LGKI-EP CHAIN	C2060HSS 2LGKI-EXT.PINEVERY 2ND LINK

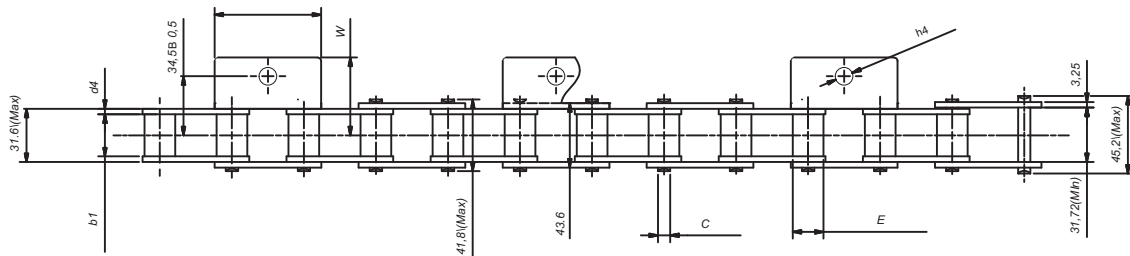


667X

AL667H



CHAIN NO.	P mm	b1 mm	E mm	d mm	L mm	Lc mm	T mm
AL667H	58.57	25.40	22.20	7.94	43.70	46.70	3.20
667X	57.15	26.60	23.80	11.10	50.20	55.00	4.30

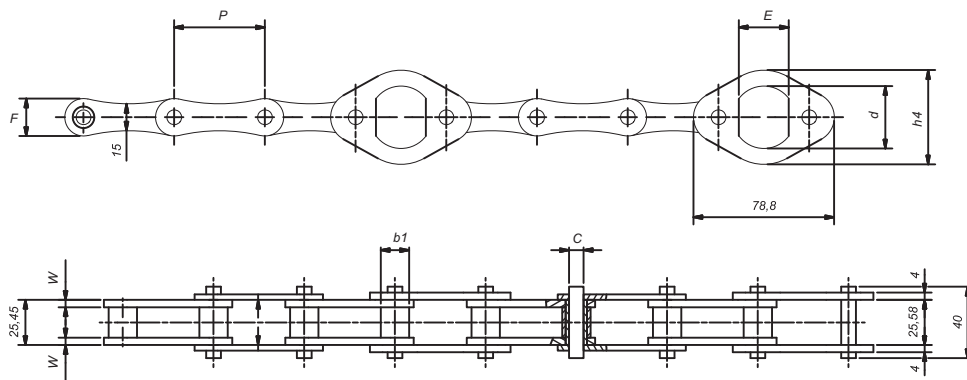


CA620 A1



CHAIN NO.	P mm	b1 mm	E mm	C mm	F mm	W mm	h4 mm	d4 MM
CA620 A1	42.01	24.51	17.91	7.19	62.20	45.40	10.30	3.25

BALER CHAINS

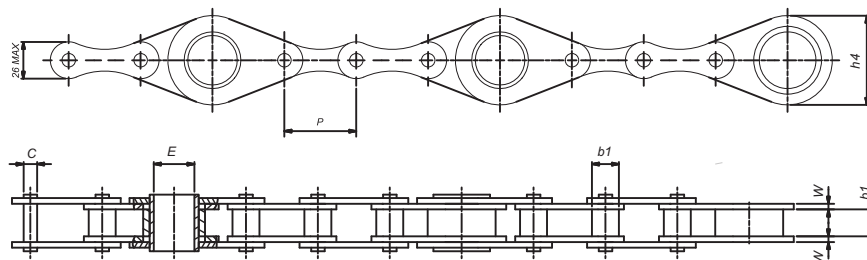


NOTE: Sell per length 7,315m

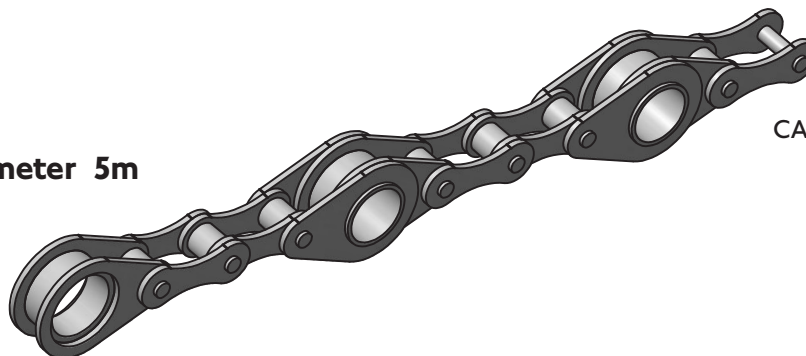


216BF1

CHAIN NO.	P mm	b1 mm	E mm	C mm	F mm	W ₄ mm	h mm
216BF1	50.8	15.88	28.00	35.00	8.28	21.00	4.15



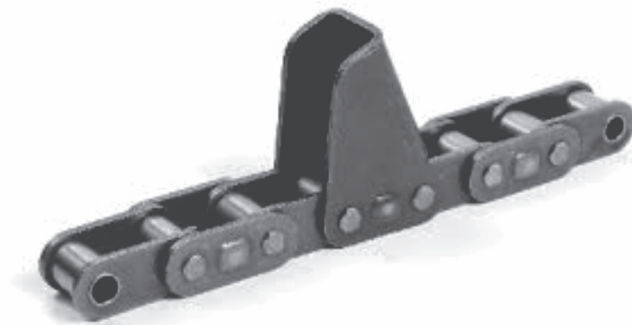
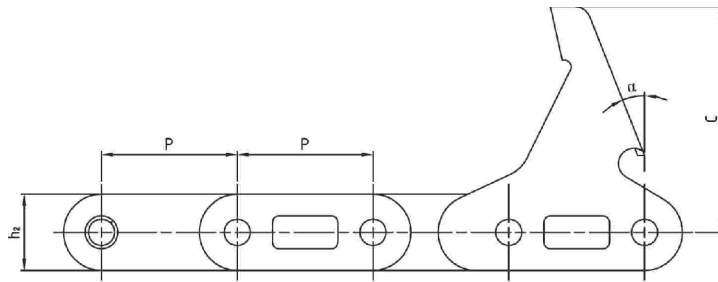
NOTE: Sell per meter 5m



CA650 AL4

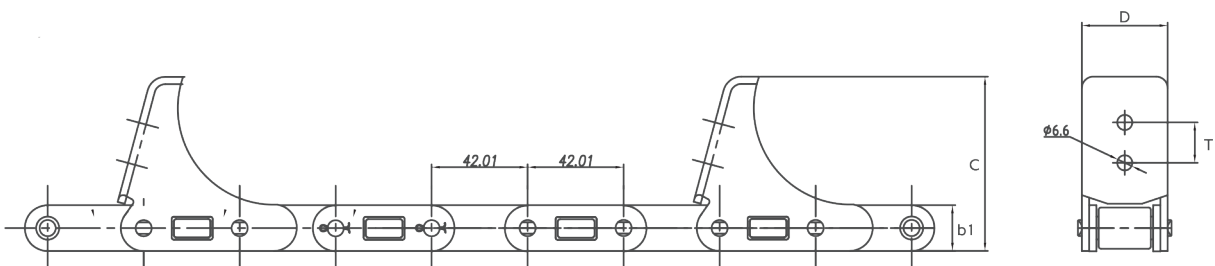
CHAIN NO.	P mm	b1 mm	E mm	C mm	F mm	W mm	h ₄ mm
CA650 AL4	50.80	19.05	35.30	9.53	26.00	4.00	63.00

CORN PICKER CHAINS



300121120

CHAIN NO.	P mm	b1 mm	h2 mm	T mm	C mm	α
CA550-300121120	41.4	19.81	19.3	2.8	68.5	15°

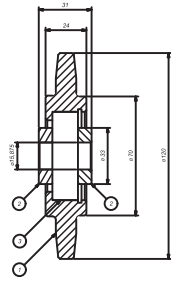
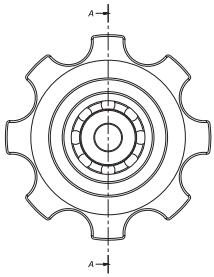


AH233138

CHAIN NO.	P mm	b1 mm	h2 mm	T mm	C mm	D mm
CA620-AH233138	42.01	19.05	41.50	17.60	76.00	37.52
CA620-AH234578	40.25	20.20	36.60	24	66.00	41.30

BOER
SLIM

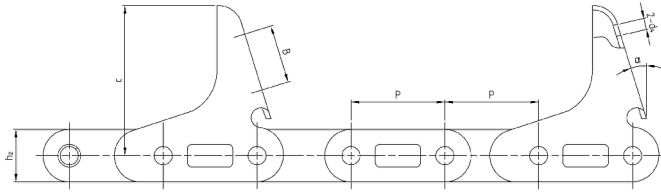
CORN PICKER CHAINS



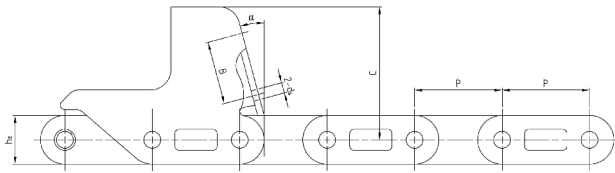
CORN PICKER IDLER SPROCKET
AN 102448



AN102009



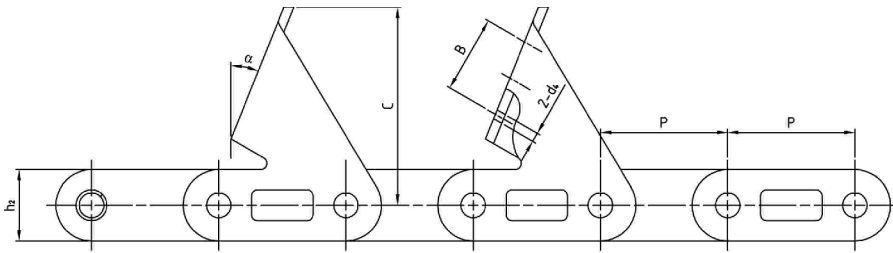
CHAIN NO.	P mm	b1 mm	h2 mm	T mm	C mm	B mm	d4 mm	∞
AN102009	41.40	12.70	19.30	3.10	63.50	-	-	15°



034851A

CHAIN NO.	P mm	b1 mm	h2 mm	B mm	d4 mm	T mm	C mm	∞
CA627-034851A	30.0	19.05	20.5	30.0	6.5	3.0	63.0	22.5°

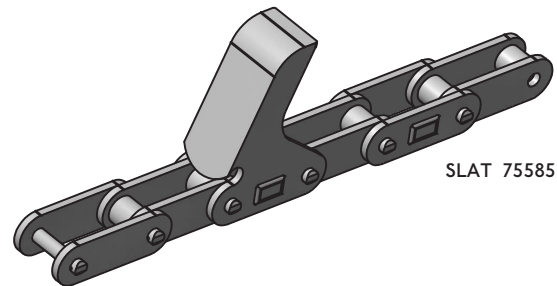
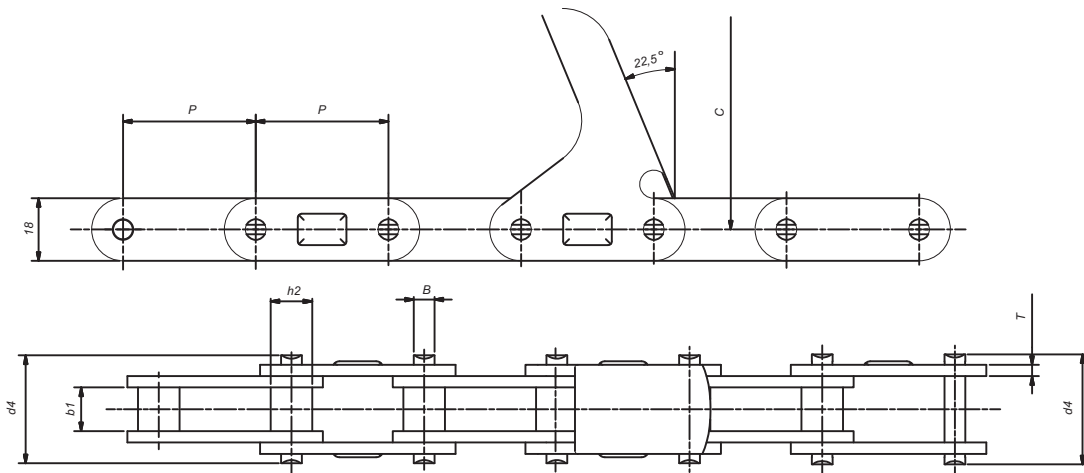
CORN PICKER CHAINS



5233082 + 6921262



CHAIN NO.	P mm	b1 mm	h2 mm	B mm	d4 mm	T mm	C mm	∞
CA627-5233082	30.0	19.05	20.5	-	-	3.0	64.0	22°



SLAT 755851

CHAIN NO.	P mm	b1 mm	h2 mm	B mm	d4 mm	T mm	C mm	∞
SLAT 755851	38.1	12.57	11.91	5.94	31.6	3.0	63.5	22°

SUMMARY - COMBINE CHAIN

CASE INTERNATIONAL

Corn Picker Chain	AN102009 (CA555 = 41.4mm)
Conveyor Chain	CA557.K39MS/L6 or CA557.K39MS/L8 OR CA557.K39MS every 2 nd & every 4 th
Elevator Chain	CA550.F144

CLAAS

Corn Picker	523308.2 - 76 pitches (CA627 = 30mm) 6921262 - 81 pitches (CA627 = 30mm)
Conveyor Chain	38,4VB.K14 - Heavy Duty
Conveyor Chain	38,4VK14 - Light Duty
Elevator Chain	38,4VB.SD4

JOHN DEERE

Corn Picker	AN102009 (CA555 = 41.4mm) AH233138 (CA620 = 42.01mm) Ah234578 / AXE61091 (CA620 = 40.25mmP. new)
Conveyor Chain	CA557.K39MS or CA550.K25/L4 or L6 or 38,4VB.K1 every 4 th and every 6 th OR AZ2262/1 consisting of; 2 of AZ24239 - 38,4V.K16 1 of AZ24240 - 38,4V.K1 every 2 nd and every 4 th
Elevator Chain	CA550.SD4 or SD6 or RL726.SD4 or SD6 or 38,4VB.SD4 or SD6

SPERRY NEW HOLLAND / CLAYSON with Gearingoff Head

Corn Picker	P2155 - 38,4VB x 68 pitches (BMG No. 673P2155)
Conveyor Chain - Maize	CA550.K25/L4
- Wheat	CA550.K25/L6
Elevator Chain	CA550.SD4.CH or SD6
Main Drive	12B3.Chain x 91 pitches

Being a replacement market, the above summary will cater for approximately 80% of market demand. If sample is available, confirm with the above selection.

VENCE TUDO BACUDA

Corn Picker	SLAT 755851 X 56 pitches
-------------	--------------------------



NEW GEARINGOFF HEAD

Corn Picker 034851A - CA627 (P = 30mm) x 76 links

FAHR

Corn Picker 6921262 x 91 pitches (Fahr 643782) (P = 30mm)
 Conveyor Chain 38,4VB.K1/L4 or L6 - Heavy Duty
 38,4V.K1/L4 or L6 - Light Duty
 Elevator Chain 38,4V.SD4 or SD6

MASSEY FERGUSSON

Corn Picker SLAT 755851 (C2060H) P = 38.1mm
 Conveyor Chain CA550.K25/L4
 Elevator Chain CA550.F144
 Main Drive 60.2 Chain

SLATTERY

Corn Picker 755851 (C2060H) P = 38.1mm
 Elevator Chain S42 F1/L6
 C14C137 - 19 Buckets (S42)
 C14C138 - 23 Buckets (S42) (popular)
 M14C131 - 31 Buckets (S42)

LAVERDA

Corn Picker 300121120 (P = 41.4mm) x 54 links
 Conveyor Chain 40mm.LV.K1/L6
 Elevator Chain 40mm.F1/L4 or L6

GENERAL PEANUT COMBINE

Conveyor Chain CA620 A14L

KRONE BALER

(round hole in the attachment) CA650 AL4
 Replacing SK828 chain

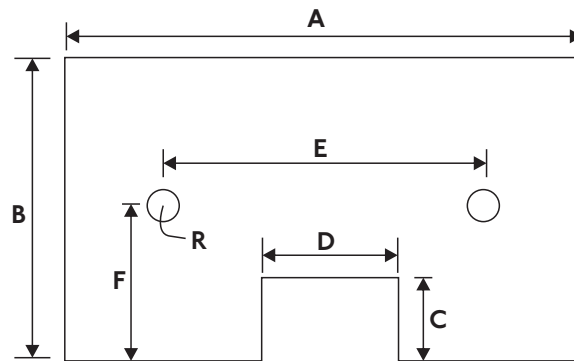
Krone Baler models KR130, 36 attachments or 7.3 meters per side
 KR145, 36 attachments
 KR150 - every 6th but they convert them to use the every 4 chain
 KR160, 45 attachments
 KR180 - every 6th but convert to take every 4

KR125 216BF1 4L SPCL ATT
 Drive Chain Tsubaki RS140

GENERAL POTATO COMBINE

Conveyor chain CA620 A1L2 or L4

RUBBER PADDLES

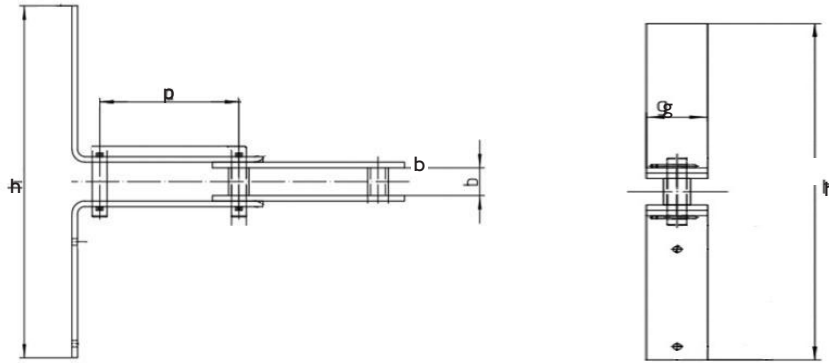


PART NO.	A	B	C	D	E	F	R	CHAIN NO.
288833	180	85	30	35	48	50	9	CA550.SD
1321334.CR	140	100	32	35	78	40	9	CA550.F14
397856	110	85	30	35	47	50	9	CA550.SD
397984	150	85	32	35	57	40	8	S55.SD
190084	110	85	30	35	60	40	8	S55.SD
173133	210	100	33	35	47	45	9	CA550.SD
Z20781	150	80	28	32	52	35	7	RL726.SD
P135.80.10	135	80	34	35	58	43	8	S45.SD
1303123.CR	150	72	28	36	80	35	9	CA550.F14
185334.CR	165	72	28	36	80	35	8	CA550.F14
185330.CR	195	72	28	36	80	35	8	CA550.F14
6192982	105	80	28	35	52	41	7	38,4SD
6726302	152	80	28	35	52	41	7	38,4SD
01700878	155	70	28	35	47	45	8	CA550.SD
H86758	150	80	35	35	80	42	10	CA550.F14
H86759	120	60	27	35	80	35	10	CA550.F14
Z20780								RL726.SD

* Minimum 4 Ply / 6mm belting to be used

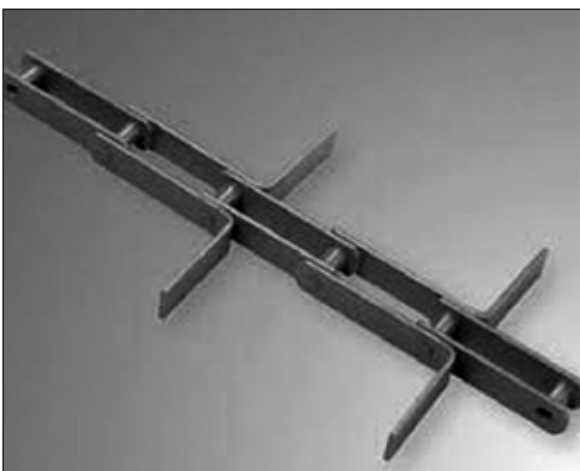
SCRAPER CHAIN STRAIGHT SIDEPLATE

Workshop Standard



Code	Dimensions						Minimum breaking load kN	
	P mm	b mm	Roller Diameter mm	PIN mm	g mm	Plate Thickness mm		
12584	125	30	25	16	40	8	Measured Upon Request	84
15084	150							
20084	200							
125110	125	40	27	18	50	8		110
150110	150							
175110	175							
200110	200	45	30	20	50	8		140
150140	150							
175140	175							
200140	200							
250140	250	55	36	26	60	8	200	
150200	150							
175200	175							
200200	200							
250200	250							

12584 & 15084 AVAILABLE EX STOCK



CHAIN INSTALLATION AND MAINTENANCE

INSTALLATION NOTES

- Shafts must be parallel with bearings and supporting structures of sufficient rigidity to maintain true alignment.
- Mount sprockets as close as possible to bearings.
- Check correct alignment of each sprocket by use of a straight edge.

Roller chain can be used in practically any position provided the shafts are parallel. On fixed centre drives the effect on the slack strand must be carefully considered.

Where the slack strand is nearly vertical, or where torque variation causes wave or whip in the chain, an idler must be used to take up the excessive slack. The idler should preferably be near to the larger sprocket in the drive, located on the outside of the slack strand of the chain. Where layout makes this impossible it is permissible to locate the idler on the inside of the chain.

LUBRICATION

Effective lubrication is essential in order to ensure optimum wear life from any chain.

To be effective it must form a film of lubricant between the wearing parts, (the pin and bush), of the chain. It has therefore to be of suitable viscosity and be delivered to the gap between the sideplates such that it can penetrate into the space between the pin and bush. The viscosity, amount and type of lubricant is governed by the size of chain and the operating conditions involved. Oil will only penetrate into the bearing area of the chain when the chain is slack, therefore oil should be delivered to the slack strand just after the driver sprocket.

High speed drives are especially critical. These generally require a continuous stream of lubricant applied across the full chain width in order to act as a coolant as well as lubricating the bearing area.

Three basic lubrication methods are recommended for use with Fenner Roller Chain.

TYPE 1 Drip Feed (for linear chain speeds up to 1 mtr/sec.)

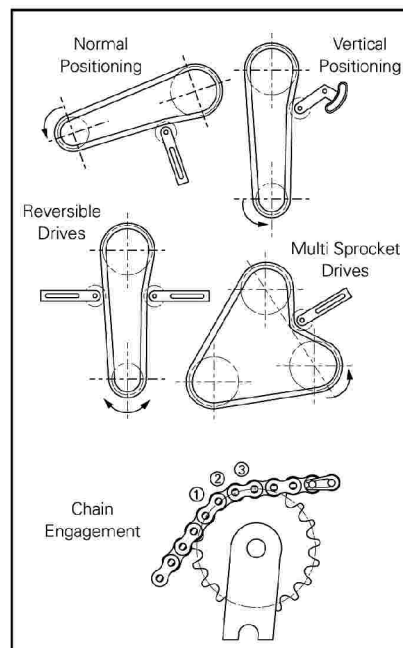
Oil drops directed between the side plate gaps with a drip feed lubricator. Brush applicators may also be used, provided they are positioned to ensure that the oil is correctly delivered to the gap between the side plates. Volume and frequency should be sufficient to prevent discolouration of the lubricant in the chain joints. Any discolouration of the lubricant or of the pin will

CHAIN TENSION

Chains should be fairly tight at installation with only a small amount of slack. With vertical drives the chain should be kept snug. After the first few weeks of operation, re-check chain tension and adjust if necessary.

FIXED CENTRE APPLICATIONS

An idler sprocket is generally recommended for fixed centre drives. It should be positioned on the slack side as close to the larger sprocket as feasible. The tensioning sprocket should have a minimum of three teeth engaged and be a minimum of four links away from the nearest sprocket.



Chain Tensioners

indicate insufficient lubrication penetrating into the bearing area. Air movement, due to the motion of the drive, can disturb and mis-direct the oil drops, therefore, with due regard for safety, check the applicator while the drive is running.

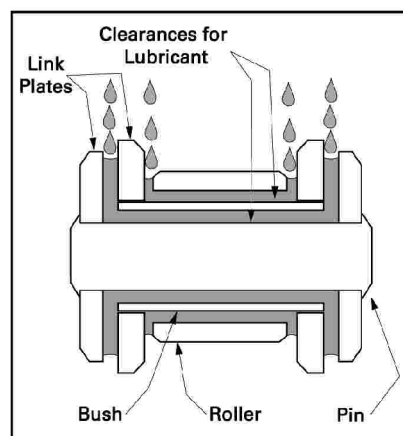
TYPE 2 Oil Bath or Disc Lubricator (for linear chain speeds up to 6 mtrs/sec.)

With oil bath lubrication the lower strand of chain runs through an oil sump. With the chain running, the oil level in the sump should immerse the chain at its lowest point. The oil level and condition of the oil should be checked periodically to ensure sufficient volume of oil is present and that it has not emulsified or become contaminated.

A disc or oil slinger may also be used. In which case the disc picks up oil from the sump and deposits it on the chain, usually through a trough. The chain operates above the oil level. The diameter of the disc should be sufficient to ensure a rim speed between 3 and 15 m/s.

TYPE 3 Pump and Sump (for high speed drives).

Oil is pumped from the sump by a circulating pump capable of delivering a constant stream of oil, evenly distributed across the full width of the chain. The oil should be supplied on the inside of the chain loop and at the lower strand, when chain speeds exceed 100 m/s.



Chain Lubrication



GO WAX LUBE

Join the movement...

It's easy to just keep doing what you have always done. Change is necessary if organisations and humans want to continue to improve and grow, but change instantly raises resistance from some people. It requires a certain amount of faith. The world is changing at a rapid pace and to survive and thrive we must change with it.

The smartest companies and people have the faith to embrace these trends. **GO Wax Lube** is part of this new trend...

GO Wax Lube offers a multi-pronged lubrication solution:

- Environmental: It is 100% bio-degradable, non-toxic and solvent free.
- Value for money: It goes further, lasts longer and runs cleaner giving chains and equipment longer life.
- Ease of use: Lower maintenance down time - quick and easy to apply either by nozzle spray, squeeze bottle, paint brush, feeder system or dipping and no need to clean before reapplying.

Why is **GO Wax Lube** unique?

- It is the only wax/water emulsion lube available on the market.
- Being an emulsion makes it possible to get a much higher wax content (over 40% - most other dry lubes have a maximum of 10-25%, with most around the 10% mark) per volume. Consequently, significantly more wax is applied to the chain or part.
- Water also evaporates significantly slower than solvents therefore more wax is carried into the openings, and then, once dry, it repels water and dirt more effectively.

Its unique properties give it the ideal viscosity for:

- penetrating all areas of the chain or part
- extended operating life
- reducing dirt build up on chain or part
- reducing fling off

The formulation process gives it a unique, smooth texture making it quick and simple to apply either by nozzle spray, squeeze bottle, paint brush, feeder system, dipping, etc.



100% Biodegradable



Go Performance Products (Pty) Ltd



GO Eco Degreaser & Cleaner Sanitise and Clean All in One

Why buy multiple cleaning & sanitising products when one can do the job for you?

GO Eco Degreaser & Cleaner is an excellent general-purpose cleaner, sanitiser and degreaser all in one - and it's environmentally friendly! Available in standard and concentrated industrial strength for home, light and heavy industrial cleaning.

Formulated with one of the world's leading disinfectants to complement our five surfactant cleaning chemistry, GO Eco Degreaser & Cleaner acts as a broad spectrum disinfectant with efficacy against all types of microorganisms, such as bacteria, viruses (including Coronavirus derivatives), fungi and parasites.



Go Performance Products (Pty) Ltd

Why It's Great

- 100% biodegradable, non-toxic, non-caustic, non-flammable, non-volatile and contains no solvents.
- Surface and equipment disinfectant.
- Effective cleaning with state-of-the-art properties including five different surfactant types to penetrate dirt and grime for potent dirt, mark, or stain removal.
- Excellent detergency.
- Outstanding wetting.
- Good rinse-ability.



Uses

- Sanitise all surfaces and equipment.
- Clean and degrease chains, equipment, engines, floors and walls, stove tops and ovens, sanitaryware, braai grids, paving and more.
- Wash cars, trucks, motorcycles, quads and boats without streaking or eliminating lubrication in sensitive areas.
- Also use for cleaning carpets, vehicle interiors, stained clothing and overalls, removing rubber marks on vinyl, shoes, tie straps and more.



Applications

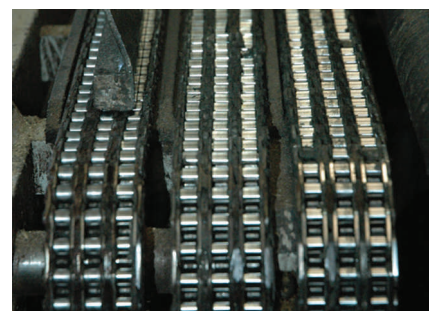
- Mines, workshops, meat factories, agriculture, sawmills, vehicle dealerships, home, camping etc



**100% Biodegradable
Made in South Africa**

**Available in:
500ml spray bottle,
5 litre, 25 litre,
210 litre.**

**Also available:
GO Wax Lube,
a unique bio-degradable
wax based lubricant.**



Available at Branches Nationwide. 24hr Distribution & Service.

24 HR TOLL-FREE EMERGENCY BRANCH HELPLINE:
0(74) 022 224

www.bmgworld.net



BRINGING THE WORLD'S BEST BRANDS TO YOU

In the bid to procure cutting-edge components at competitive prices, BMG is able to capitalise on long-standing relationships with leading manufacturers dedicated to excellence in design and production.

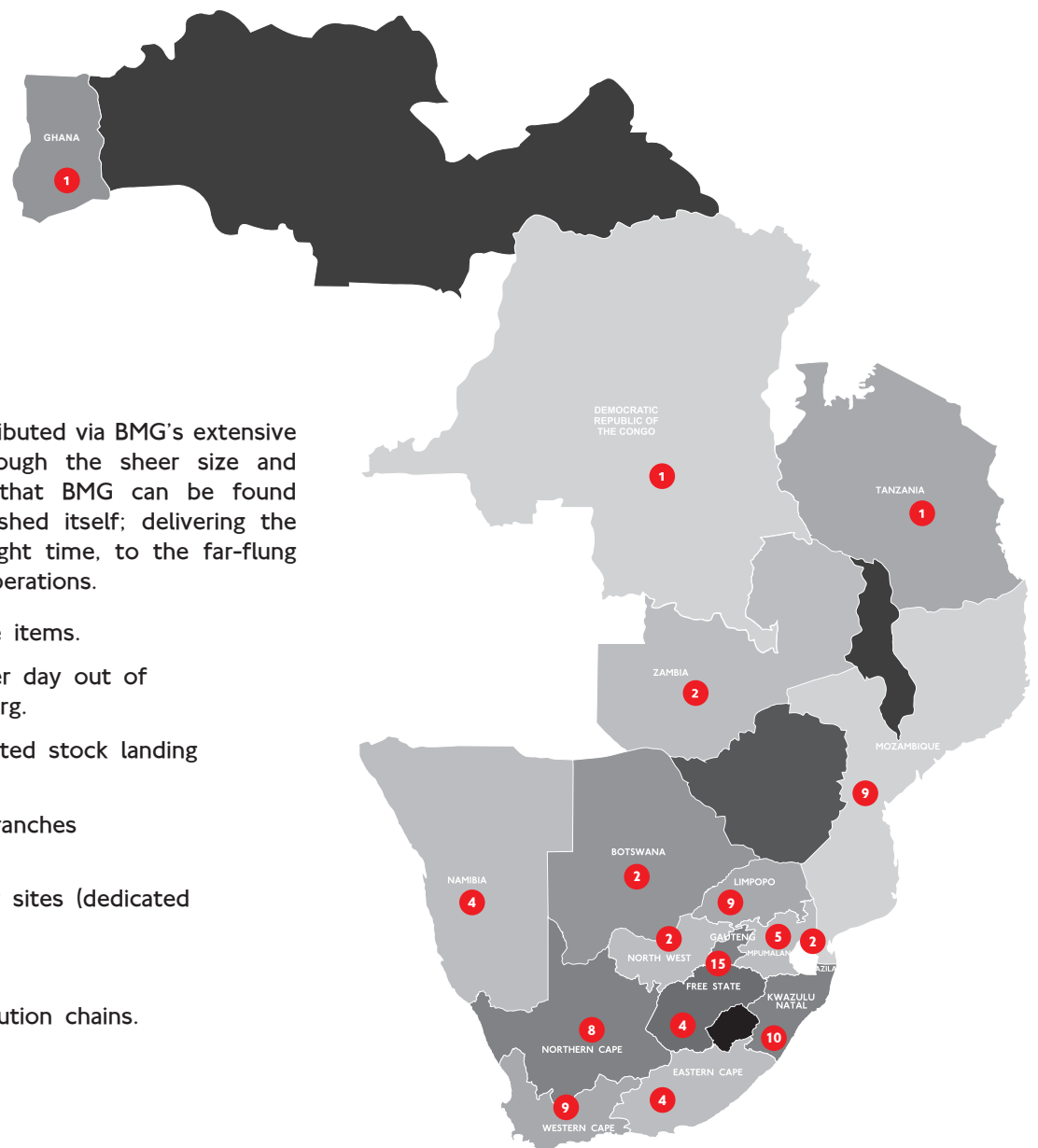
Products are imported from around the globe and brought to BMG's strategically located distribution facilities and regional service centres via the main distribution hub in Johannesburg - BMG World. A world-class facility boasting 308 000m³ of fully stocked warehouse space, an accredited training facility and unlimited engineering capabilities.

Our Extensive Coverage Throughout Africa

88
BRANCHES

Products and services are distributed via BMG's extensive distribution network. It's through the sheer size and reach of our infrastructure, that BMG can be found wherever industry has established itself; delivering the correct components at the right time, to the far-flung coalface of our customers' operations.

- Over 300 000 product line items.
- Around 4 500 transfers per day out of BMG World in Johannesburg.
- Over 1 000 tons of imported stock landing per month.
- 88 strategically situated branches throughout Africa.
- Vendor Managed Inventory sites (dedicated on-site stockholding).
- International exports.
- Locally empowered distribution chains.



24 HR TOLL-FREE EMERGENCY
BRANCH HELPLINE:

0800 022 224

WEBSITE:

www.bmgworld.net



An Invieta Holdings Group Company

BEARINGS • SEALS • POWER TRANSMISSION • DRIVES & MOTORS
MATERIALS HANDLING • TOOLS & FASTENERS • HYDRAULICS
FILTRATION • LUBRICATION • FIELD SERVICE