



AGRICULTURAL PRODUCT

Catalogue

Edition 4



B-BBEE 2
EMPOWERING SUPPLIER

ISO 9001	Certified
ISO 14001	Certified
ISO 45001	Certified

ABOUT US

Established in 1974 as a single bearing shop in Durban, South Africa; BMG's aggressive growth strategy has included acquisitions, supplemented by a steady organic growth discipline. BMG attracts best-of-breed talent resulting in technical expertise that differentiates BMG in the industry. Staff are truly part of the BMG family and its success.

BMG boasts an accredited in-house technical and commercial training academy which fosters a culture of staff development and career advancement; it's all about sustainability.

The net result, is a company that reliably supplies and supports 70 000 customers in 9 countries with the widest range of industrial engineered products and expert services in Africa via 88 branches.

BMG is positioned to deliver bespoke 360 degree solutions to its customers, and subsequently return on investment to its investors and shareholders. BMG plays a pivotal role in supporting the productivity and production targets of all Industrial, Manufacturing, Mining and Agricultural sectors of the economies in the countries it serves. With an enviable reputation as Africa's largest distributor, manufacturer and service provider of the highest quality engineering consumables and components; including

- Bearings & Seals
- Power Transmission Components
- Drives, Motors and Controllers
- Hydraulics, Pneumatics and Filtration
- Heavy and Light Duty Materials Handling
- Valves and Lubrication
- Fasteners, Gaskets and Tools

BMG is a level 2 BEE contributor with ISO 9001 Quality Assurance certification. Health and safety of its employees and customers is a paramount focus and the company adheres to ISO 45001. BMG is also committed to environmental care and sustainability and strictly follows the ISO 14001 charter.

As a key contributor to the Invicta Holdings stable, BMG has played a major part in Invicta's unique achievement of being rated in South Africa's Top 100 Companies for 21 consecutive years.

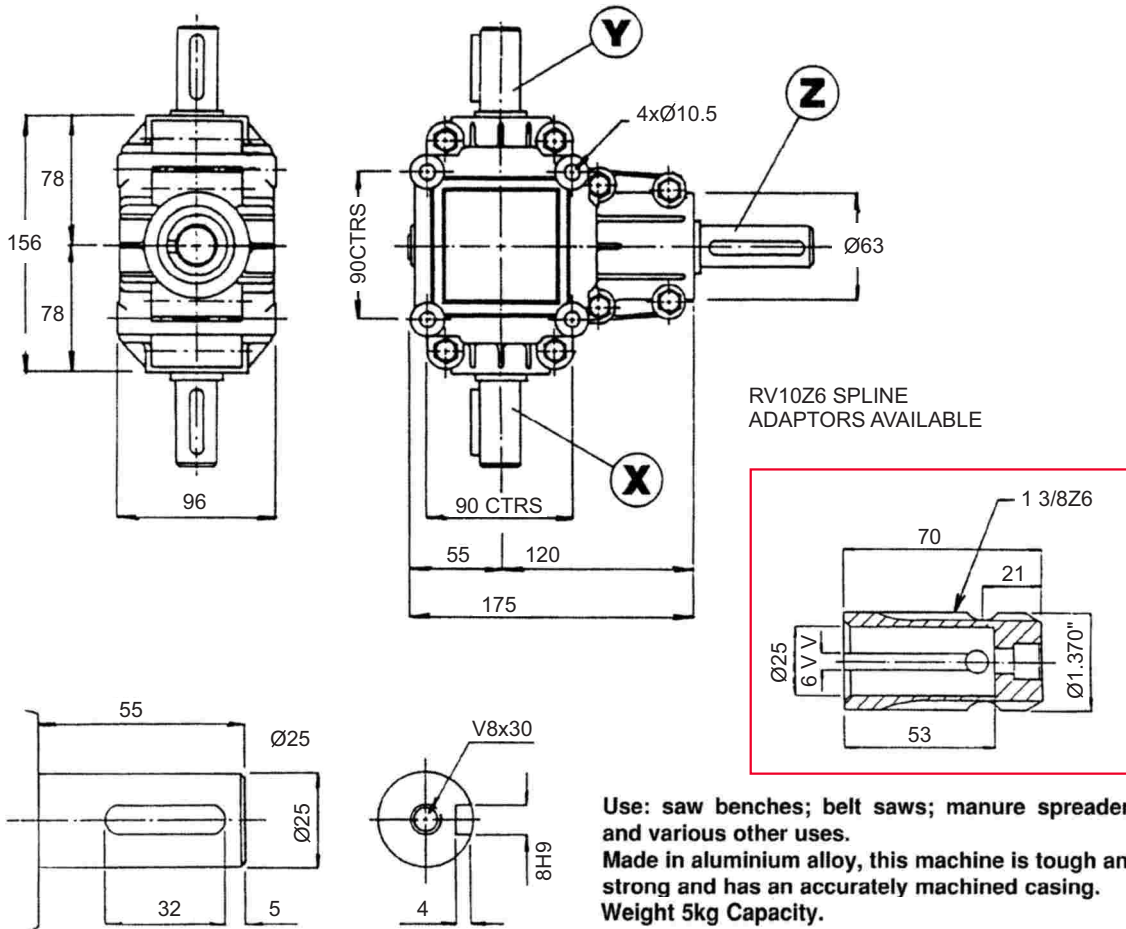


AGRICULTURAL GEARBOXES

CONTENTS

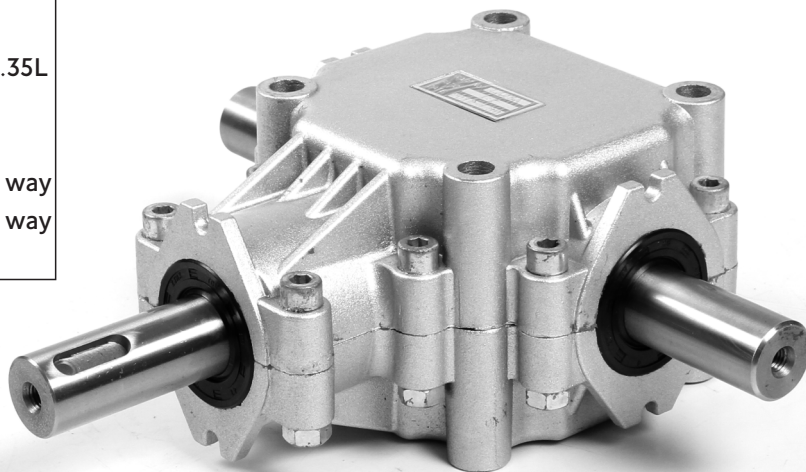
Gearbox AFTLA25A	103
Gearbox AFTGBG30	104
Slasher Splitter Gearbox AFTGBG61T	105
Slasher Gearbox AFTGBG61	106
Gearbox AFTGBG61 LL / LR	107
Slasher Gearbox AFTGBG81	108
Slasher Gearbox AFTGBG130	109
Pivot Wheel Drive 50 N / T	110
Pivot Wheel Drive 52 N / T	111
Towable Units	112
Pivot Geared Motor (PGM) & PGM Coupling	113



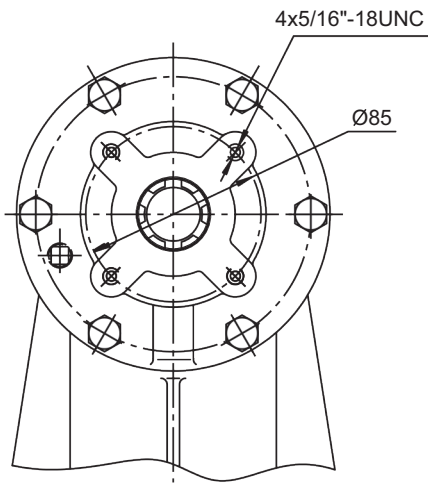


SPARES LIST

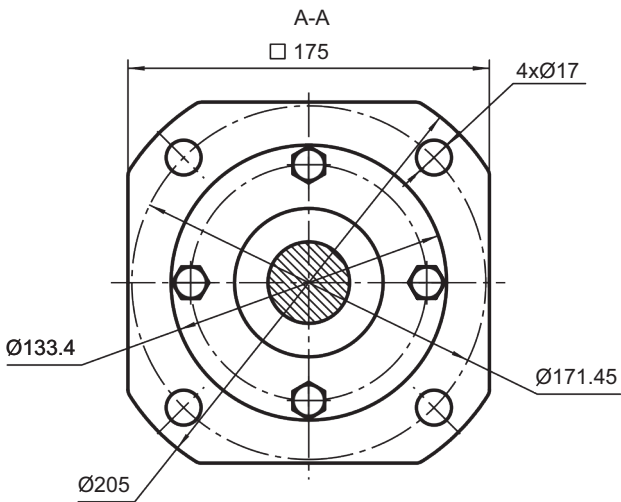
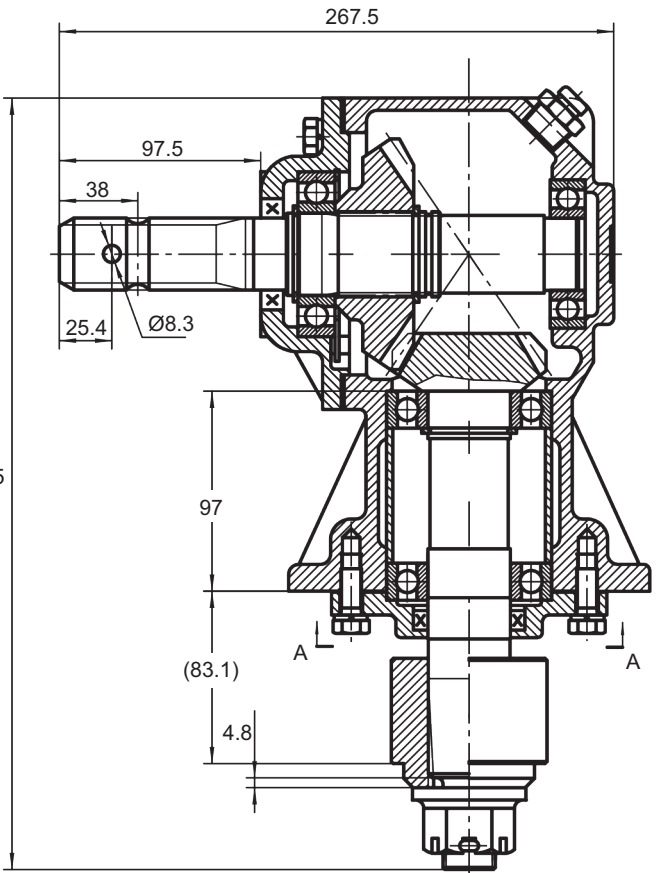
Input Seal	- SM25477
Input Bearing	- 6205
Output Seals	- SM25477
Output Bearing	- 6205
Oil	- SAE90EP 0.35L
Kw	- 11
Hp	- 15
Input Shaft	- 25mm/key way
Output Shaft	- 25mm/key way
Ratio	- 1:1 / 2:1



GEARBOX AFTGBG30

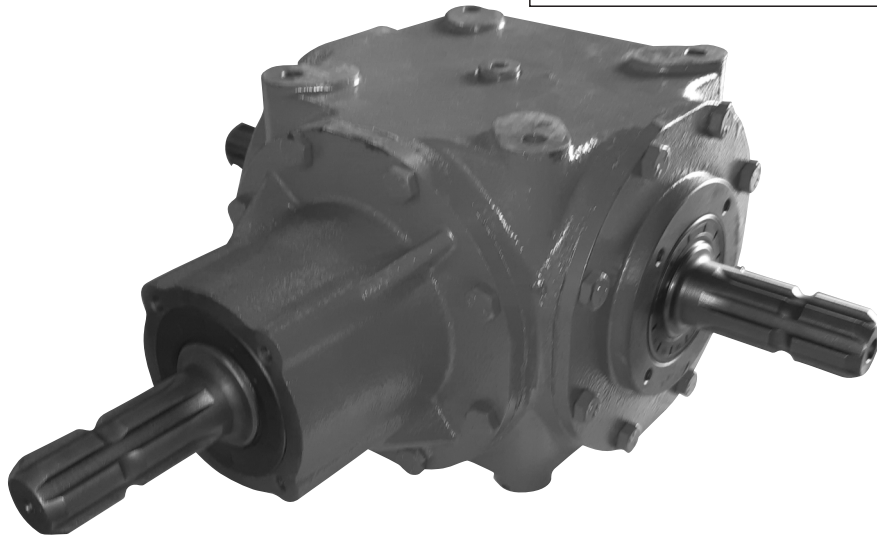


K



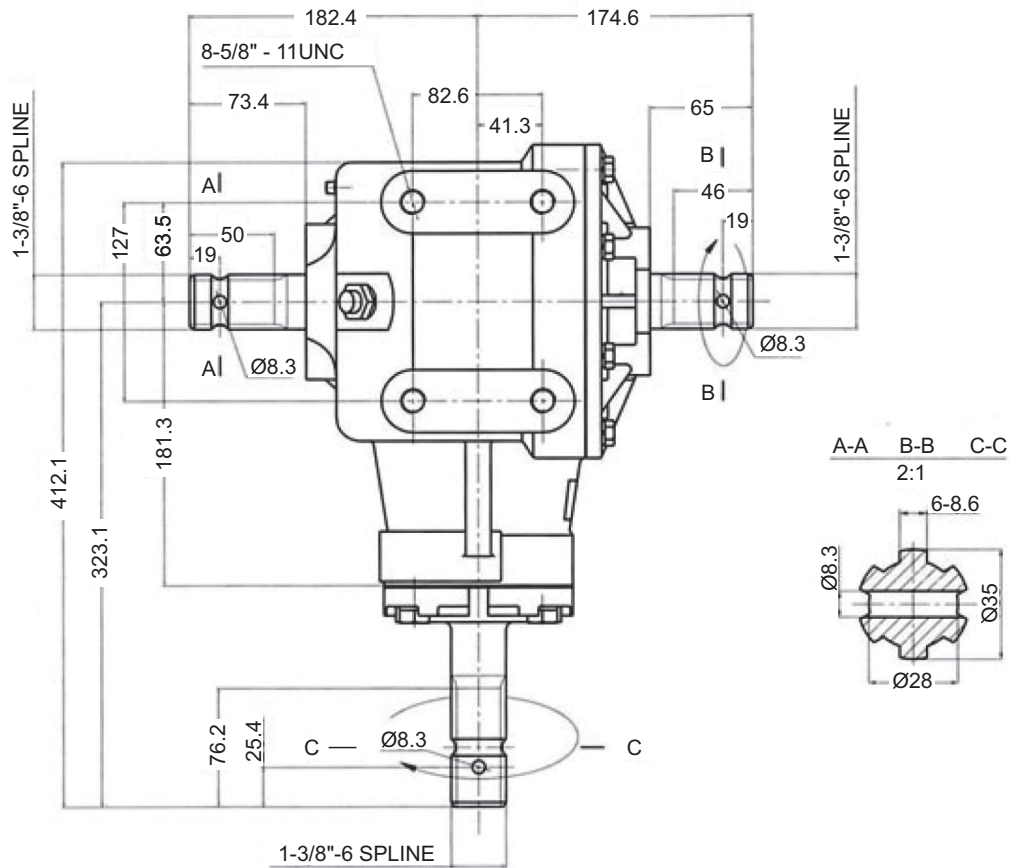
SPARES LIST

Input Seal	- MI 137212 5/16
Input Bearing	- 6207 inner 6208 outer
Output Seals	- MI 165212 3/8
Output Bearing	- 6208 inner & outer
Oil	- SAE90EP 0.8L
Kw	- 24
Hp	- 30
Ratio	- 1 to 1.93
Input Shaft	- 6 spline 1 3/8"



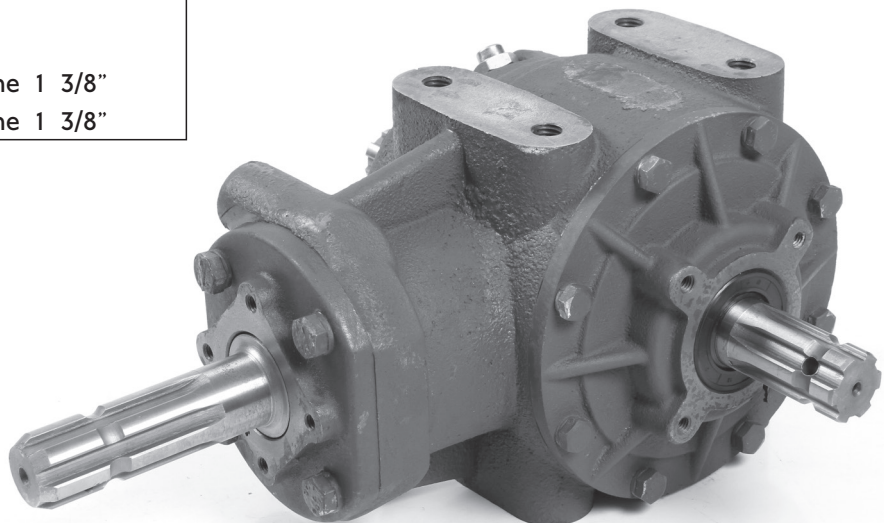
BOER
SLIM

SLASHER SPLITTER GEARBOX AFTGBG61T



SPARES LIST

Input Seal	- SM507010
Input Bearing	- 30210
Output Seals	- SM356210
Output Bearing	- 30209
Oil	- SAE90EP - 1.7L
Kw	- 45
Hp	- 60
Ratio	- 1:1
Input Shaft	- 6 spline 1 3/8"
Output Shaft	- 6 spline 1 3/8"

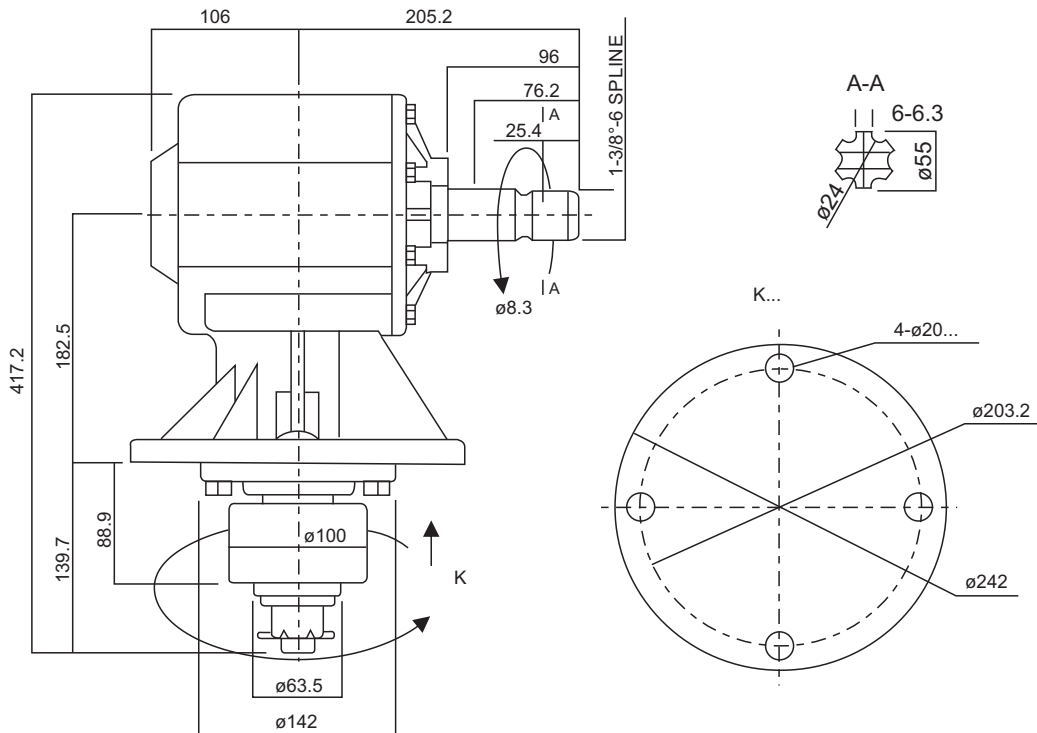


BOER
SLIM

SLASHER GEARBOX AFTGBG61

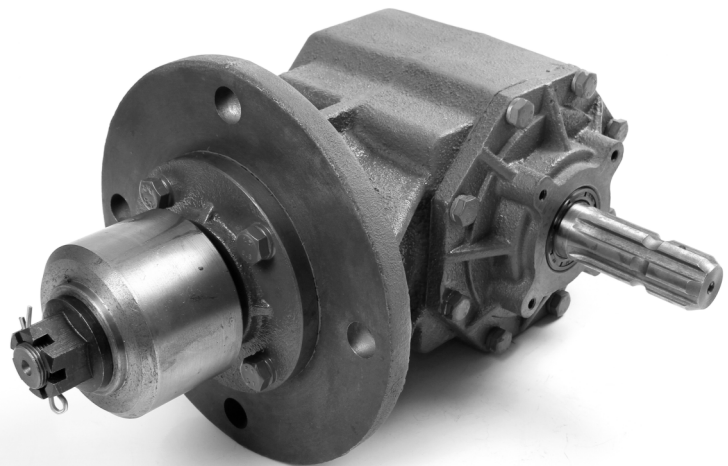
PART No.	RATIO	540 RPM		1000 RPM		BLADE TIP SPEEDS (feet per minute)				
		H.P.	TORQUE	H.P.	TORQUE	BLADE DIAMETER				
		4'	4.5'	5'	5.5'	6'				
AFTGBG61	1:1.46	75.0	8.753	••	••	9,924	11.165	12.405	13.646	14.887
AFTGBG61.93	1:1.93	65.0	7.586	••	••	13,119	14.759	16.399		

• • Not recommended at this input speed



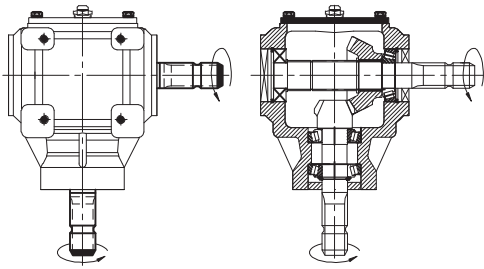
SPARES LIST

Input Seal	- SM356510
Input Bearing	- 30210 Inner & Outer
Output Seals	- SM507010
Output Bearing	- 30209 Inner & Outer
Oil	- SAE90EP - 1.4L
Kw	- 45
Hp	- 60
Ratio	- 1 to 1.47
	- 1 to 1.93
Input Shaft	- 6 spline 1 3/8"

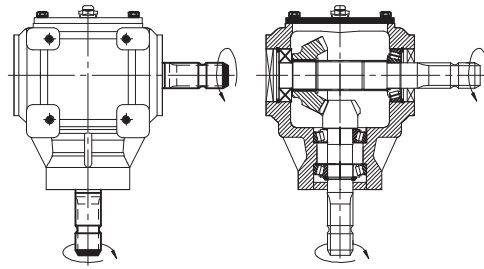


BOER
SLIM

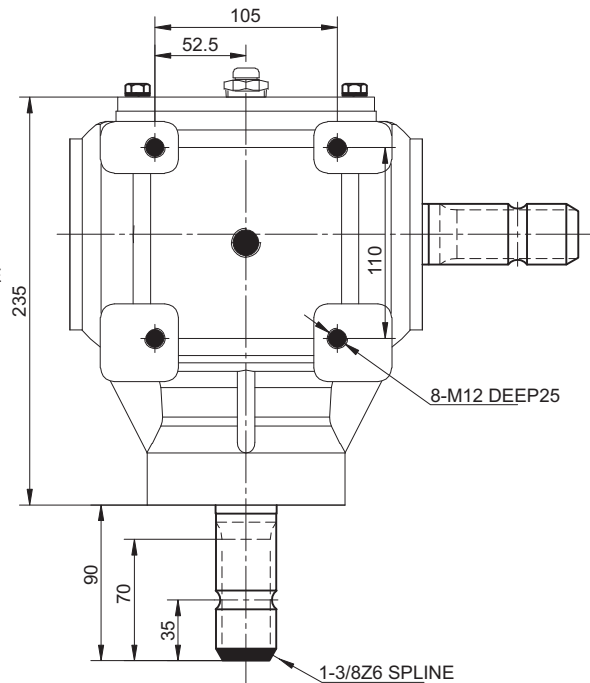
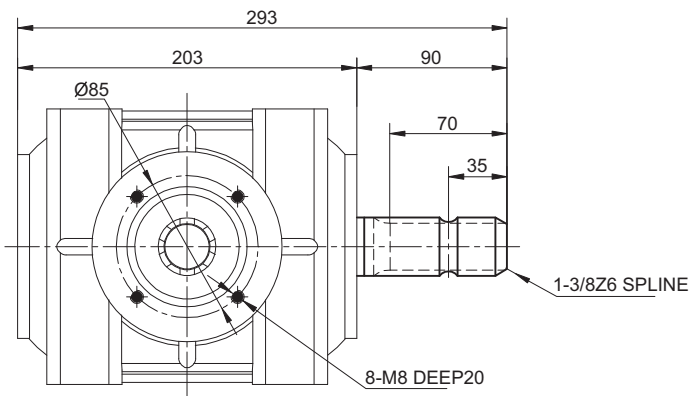
GEARBOX AFTGBG61 LL / LR



AFTGBG61 LL

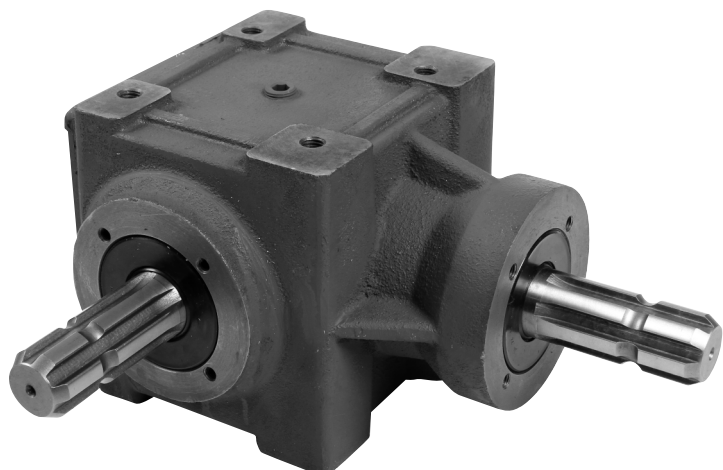


AFTGBG61 LR



SPARES LIST

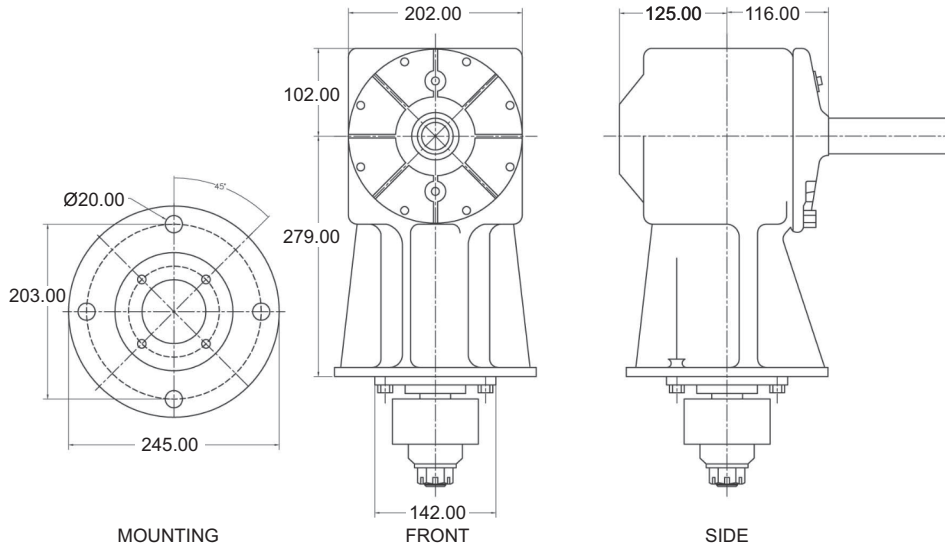
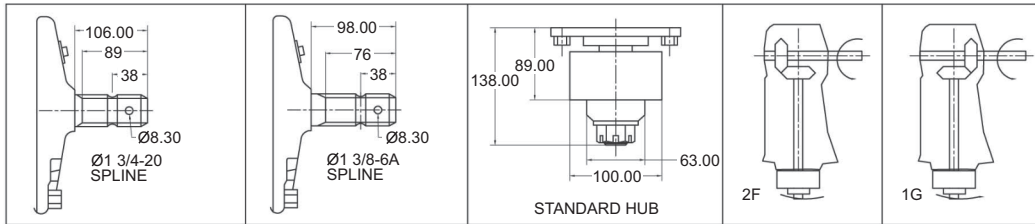
Input Seal	- SM357210
Input Bearing	- 6207
Output Seal	- SM357210
Output bearing	- 6207
Oil	- SAE90EP - 1.7L
Kw	- 45
Hp	- 60
Ratio	- 1 to 1
Input Shaft	- 6 spline 1 3/8"
Output Shaft	- 6 spline 1 3/8"



SLASHER GEARBOX AFTGBG81

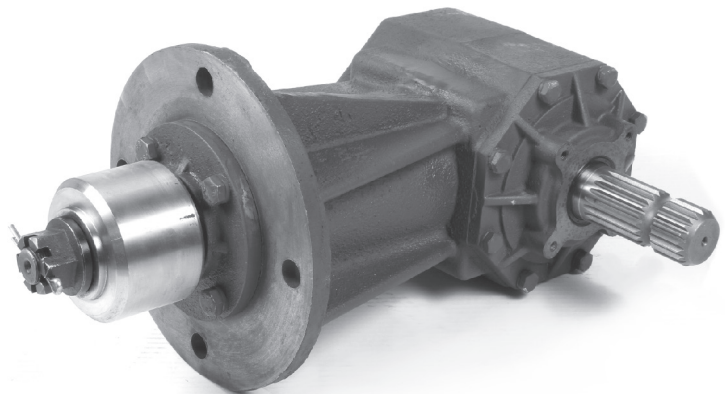
PART No.	RATIO	540 RPM		1000 RPM		BLADE TIP SPEEDS (feet per minute)					
		H.P.	TORQUE	H.P.	TORQUE	BLADE DIAMETER					
						4'	4.5'	5'	5.5'	6'	7'
AFTGBG81	1:1.46	120.0	14.006	• •	• •	9.924	11.165	12.405	13.646	14.887	17.368
AFTGBG81.93	1:1.93	90.0	10.504	• •	• •	13.119	14.759	16.399	17.945	19.577	22.840

• • Not recommended at this input speed



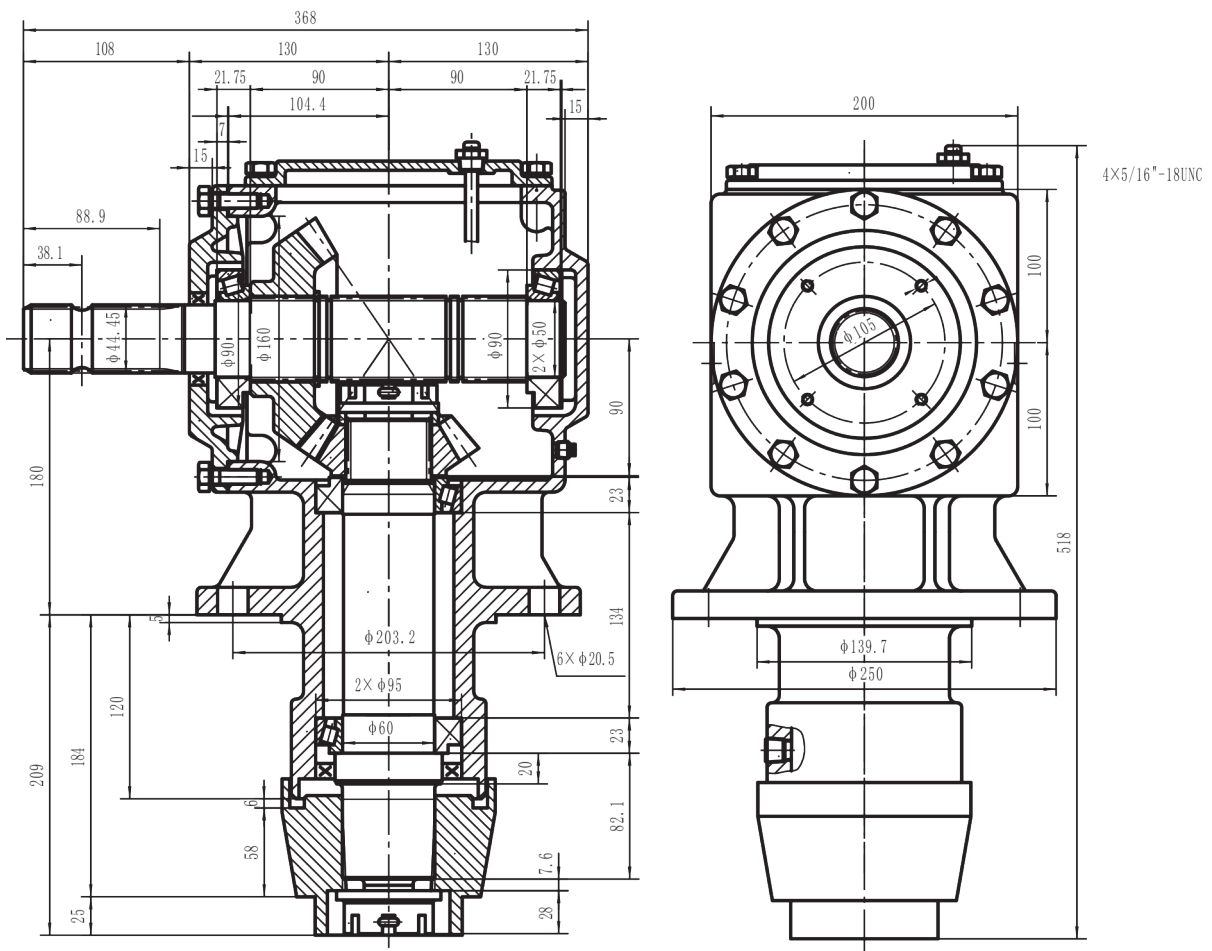
SPARES LIST

Input Seal	- SM455510
Input Bearing	- 30210 Inner & Outer
Output Seals	- SM507010
Output Bearing	- 30209 Inner & Outer
Oil	- SAE90EP - 2.4L
Kw	- 60
Hp	- 80
Ratio	- 1 to 1.46
Input Shaft	- 1 to 1.93
Output Shaft	- 6 spline 1 3/8"



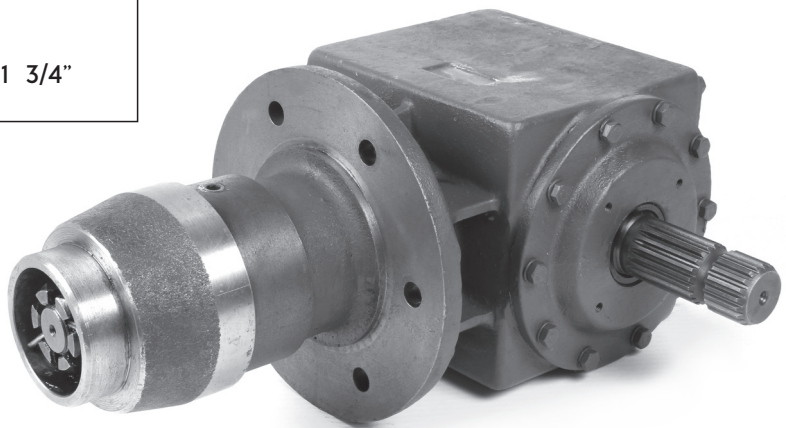
BOER
SLIM

SLASHER GEARBOX AFTGBG130



SPARES LIST

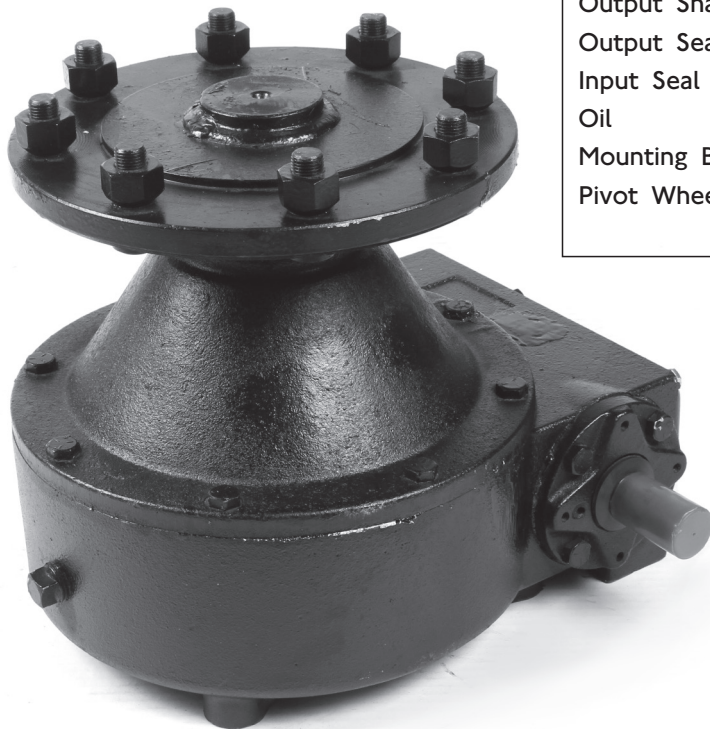
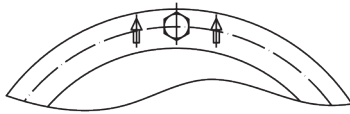
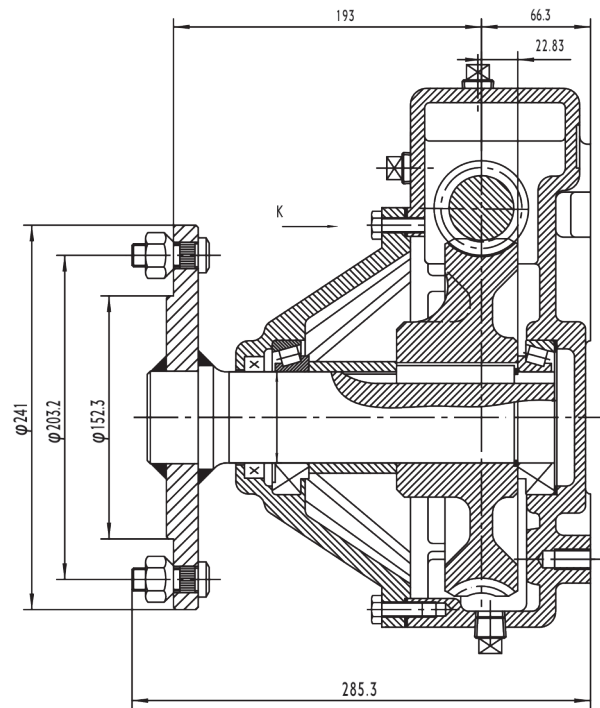
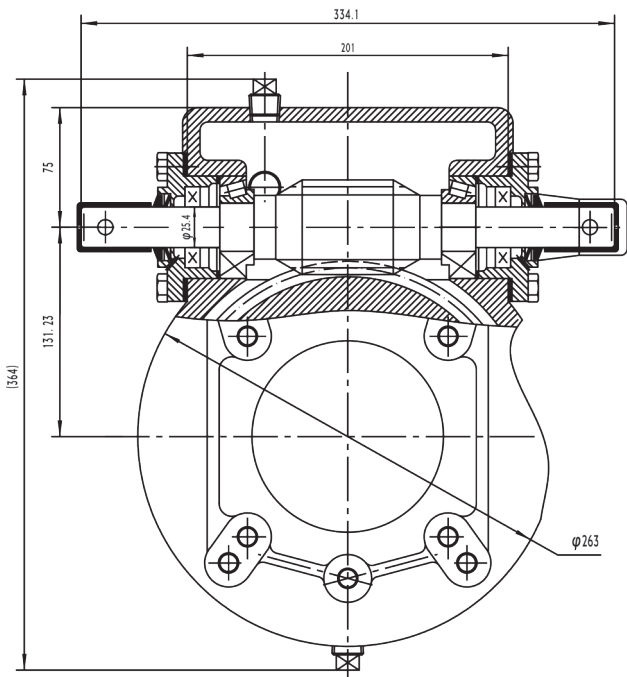
Input Seal	- MI 175238 3/8
Input Bearing	- 30210
Output Seals	- MI 275375 7/16
Output Bearing	- 32012
Oil	- SAE90EP - 2.8L
Kw	- 90
Hp	- 130
Ratio	- 1 to 1.46
Input Shaft	- 20 spline 1 3/4"



BOER
SLIM

PIVOT WHEEL DRIVE 50 N/T

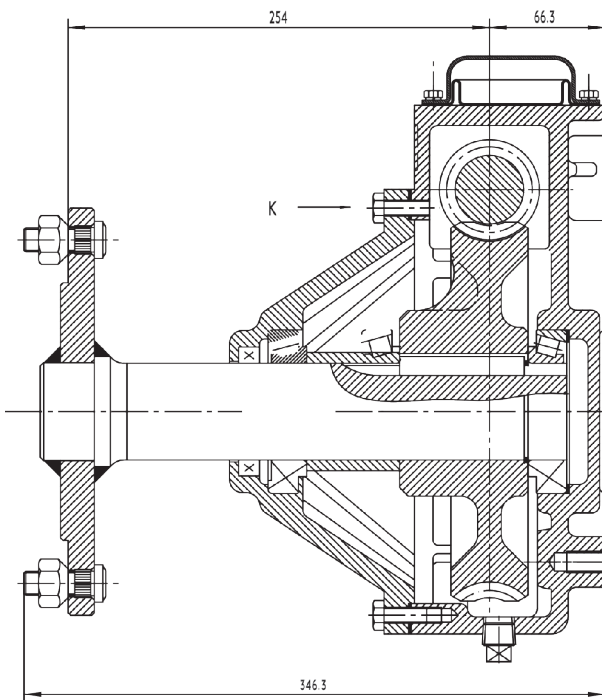
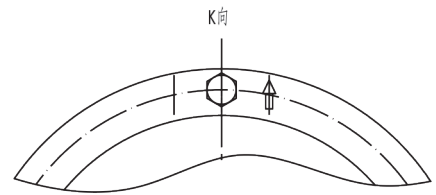
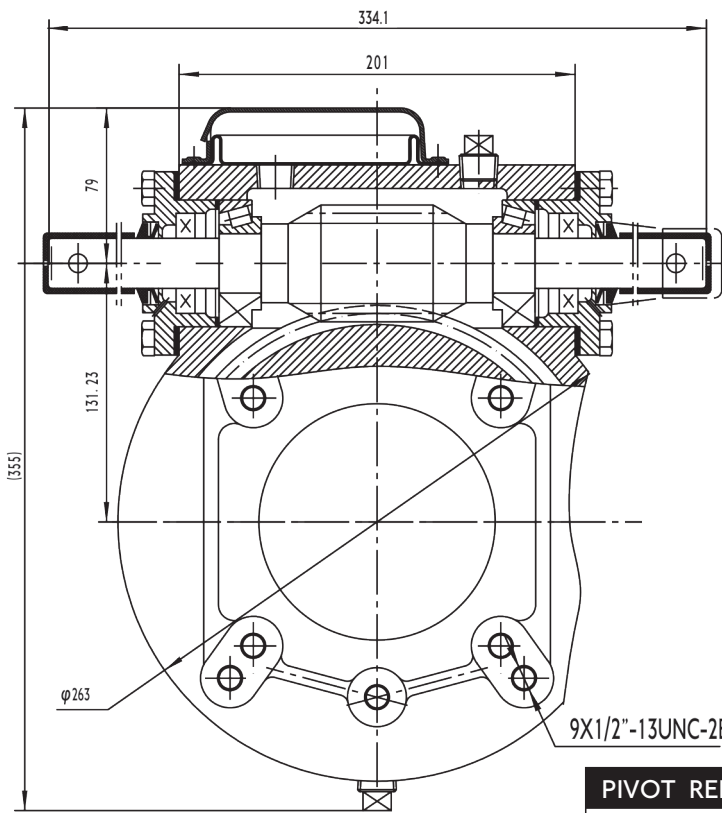
PART NO: AFT OFD 50 IRRIS



PIVOT REPAIR KIT

Input Shaft Bearing	- KHM88649/10
Input Shaft Bearing	- KHM89446/10
Output Shaft Bearing	- KLM104949/10
Output Shaft Bearing	- K387A / K382A
Output Seal	- MI225300 1/2
Input Seal	- MI100200 3/8
Oil	- SAE90EP 1.8L
Mounting Belts	- 1/2" UNC
Pivot Wheel Nut/Stud Kit	-AFTOFD 50 IRRIG Nut/Stud

PART NO: AFT OFD 50:52.1



PIVOT REPAIR KIT

Input Shaft Bearing	- KHM88649/10
Input Shaft Bearing	- KHM89446/10
Output Shaft Bearing	- KLM104949/10
Output Shaft Bearing	- K387A / K382A
Output Seal	- MI225300 1/2
Input Seal	- MI100200 3/8
Oil	- SAE90EP 1.8L
Mounting Belts	- 1/2" UNC
Pivot Wheel Nut/Stud Kit	-AFTOFD 50 IRRIG Nut/Stud

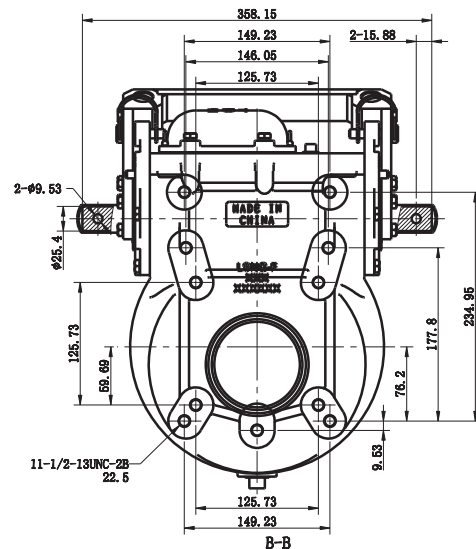
CK-50 SERIES

Converts standard drive to towable drive.
Adjustable bearing locknut eliminates shims.
Cross drilled pin easily stows while towing.
Unique triple lip spindle seal design.
High carbon steel tow pin and bracket will not bend under pressure.
Relief plug protects from over greasing.
Large bearings for improved load capacity.

Part Code:

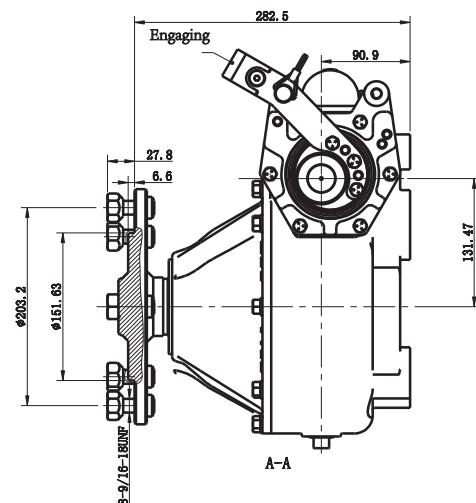
AFTOFD50 52.1 Tow

AFTOFD 50 Tow



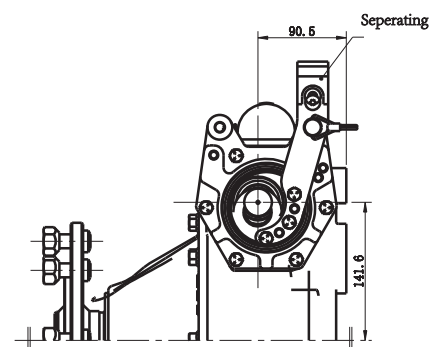
PB-50 SERIES

Cross drilled pin easily stows while towing.
High carbon steel tow pin and bracket will not bend under load.
PTO Clip-pin with Tab is easy to remove.
Usable on all towable gearboxes and conversion kits.
Anti-corrosion zinc plated pin.



OFD-50T SERIES

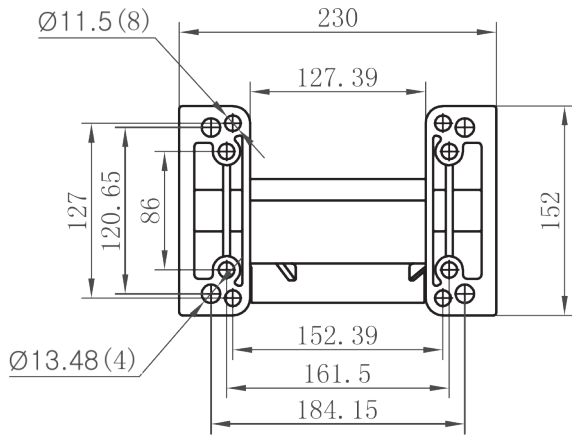
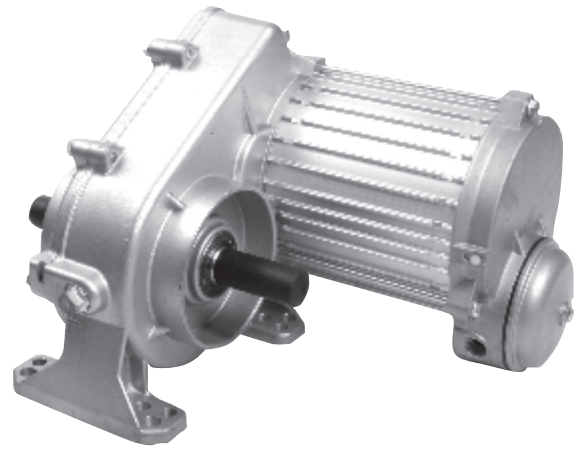
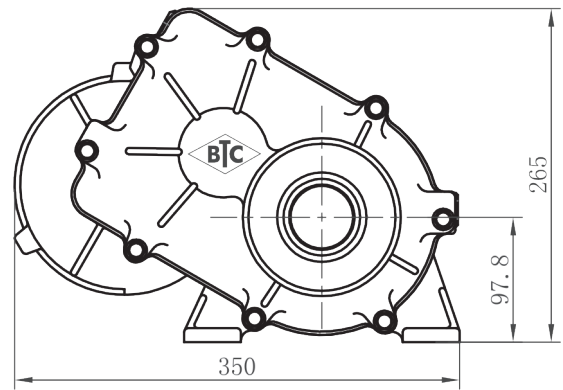
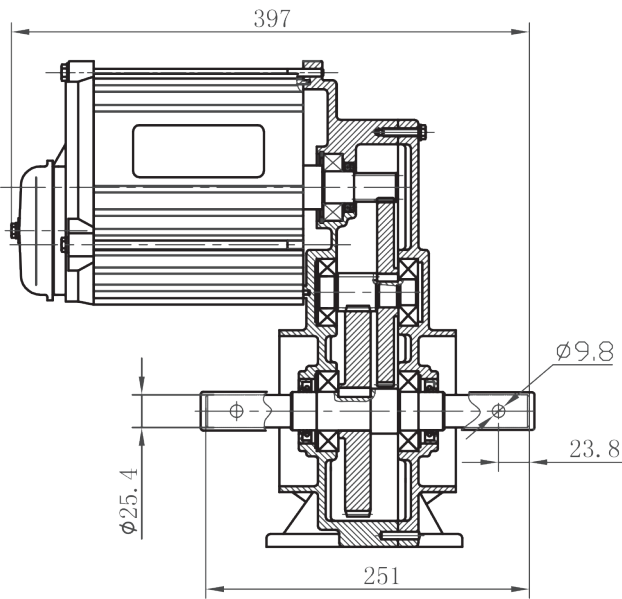
External expansion or big chamber housing.
True towable design eliminates add-on kits.
Relief plug protects from over-greasing.
Adjustable bearing lock nut eliminates shims.
Cross drilled pin easily stows while towing.



OFD-52V SERIES

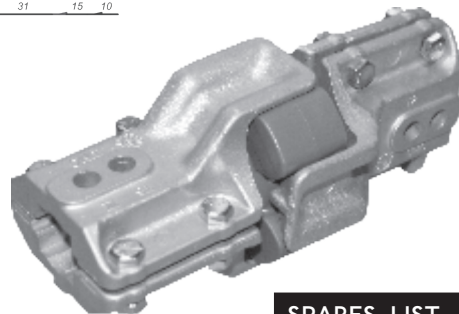
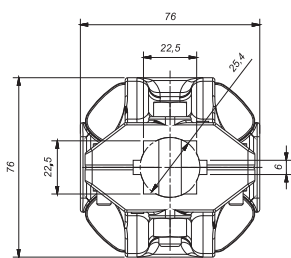
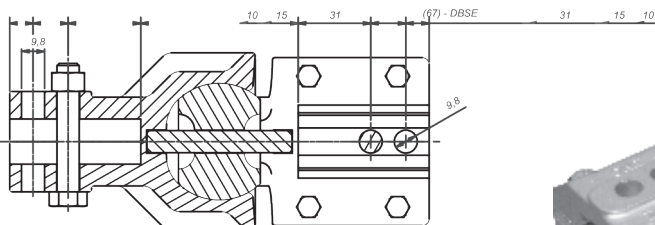
12 cubic inch expansion area.
Replaces valley drives.
Dual inputs for left or right mounting.
Class A hobbed and hardened steel worm.

PIVOT GEARED MOTOR (PGM)



PART	HP	KW	MOTOR SPEED (380V)	RATIO	N2 SPEED (380V)	N2 TORQUE (380) Nm
PGM 075-35	0.75	0.55	1420	40:1	35	126.2
PGM 150-57	1.50	1.1	2840	50:1	57	155.0
PGM 015-57	1.50	1.1	1420	30:1	47	188.0

PGM COUPLING



SPARES LIST

- PGM Coupling Kit
- PGM Terminal Box Kit
- PGM Stators

BRINGING THE WORLD'S BEST BRANDS TO YOU

In the bid to procure cutting-edge components at competitive prices, BMG is able to capitalise on long-standing relationships with leading manufacturers dedicated to excellence in design and production.

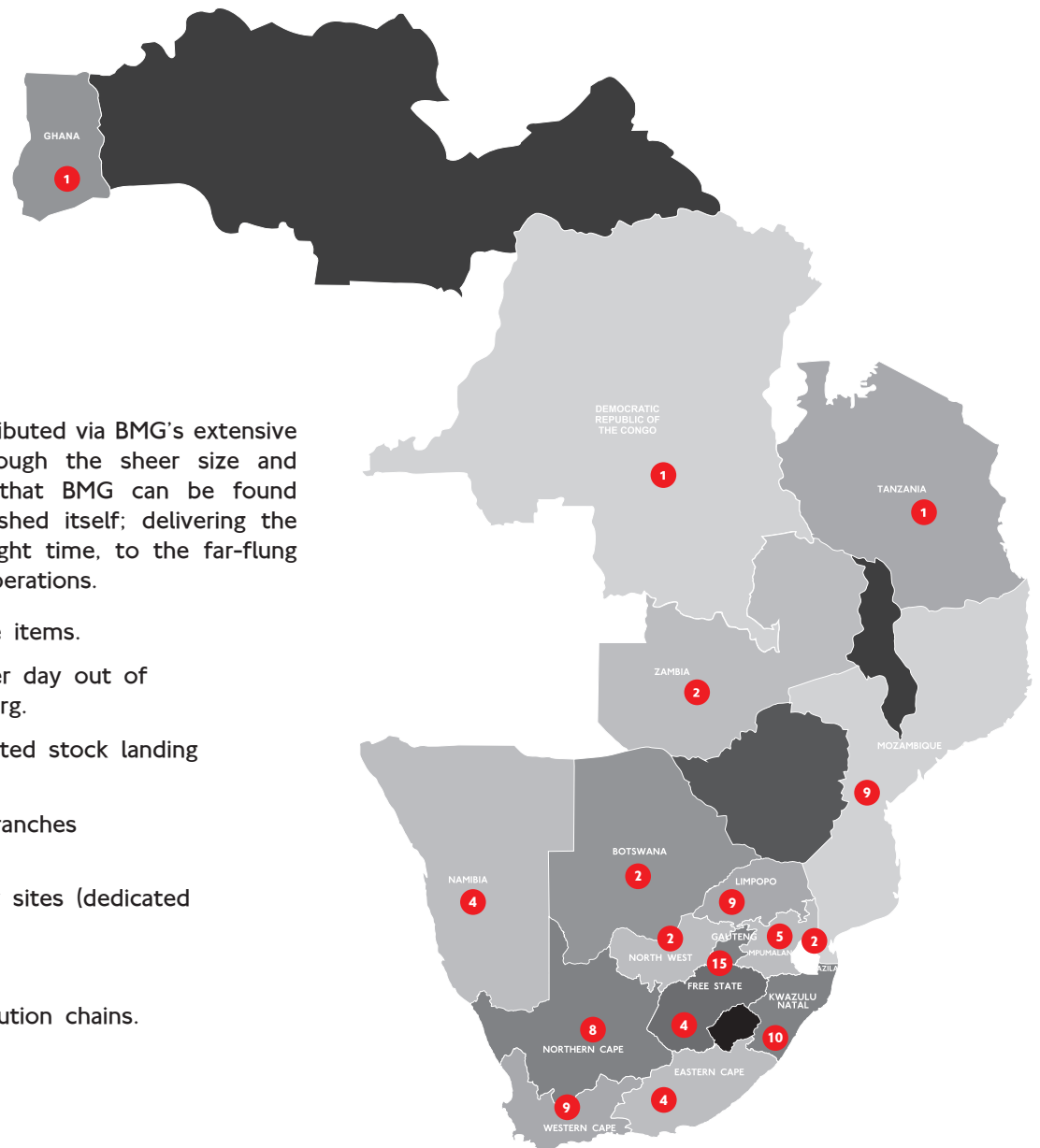
Products are imported from around the globe and brought to BMG's strategically located distribution facilities and regional service centres via the main distribution hub in Johannesburg - BMG World. A world-class facility boasting 308 000m³ of fully stocked warehouse space, an accredited training facility and unlimited engineering capabilities.

Our Extensive Coverage Throughout Africa

88
BRANCHES

Products and services are distributed via BMG's extensive distribution network. It's through the sheer size and reach of our infrastructure, that BMG can be found wherever industry has established itself; delivering the correct components at the right time, to the far-flung coalface of our customers' operations.

- Over 300 000 product line items.
- Around 4 500 transfers per day out of BMG World in Johannesburg.
- Over 1 000 tons of imported stock landing per month.
- 88 strategically situated branches throughout Africa.
- Vendor Managed Inventory sites (dedicated on-site stockholding).
- International exports.
- Locally empowered distribution chains.



24 HR TOLL-FREE EMERGENCY
BRANCH HELPLINE:

0800 022 224

WEBSITE:

www.bmgworld.net



An Invieta Holdings Group Company

BEARINGS • SEALS • POWER TRANSMISSION • DRIVES & MOTORS
MATERIALS HANDLING • TOOLS & FASTENERS • HYDRAULICS
FILTRATION • LUBRICATION • FIELD SERVICE