



AGRICULTURAL PRODUCT

Catalogue

Edition 4



B-BBEE 2
EMPOWERING SUPPLIER

ISO 9001	Certified
ISO 14001	Certified
ISO 45001	Certified

ABOUT US

Established in 1974 as a single bearing shop in Durban, South Africa; BMG's aggressive growth strategy has included acquisitions, supplemented by a steady organic growth discipline. BMG attracts best-of-breed talent resulting in technical expertise that differentiates BMG in the industry. Staff are truly part of the BMG family and its success.

BMG boasts an accredited in-house technical and commercial training academy which fosters a culture of staff development and career advancement; it's all about sustainability.

The net result, is a company that reliably supplies and supports 70 000 customers in 9 countries with the widest range of industrial engineered products and expert services in Africa via 88 branches.

BMG is positioned to deliver bespoke 360 degree solutions to its customers, and subsequently return on investment to its investors and shareholders. BMG plays a pivotal role in supporting the productivity and production targets of all Industrial, Manufacturing, Mining and Agricultural sectors of the economies in the countries it serves. With an enviable reputation as Africa's largest distributor, manufacturer and service provider of the highest quality engineering consumables and components; including

- Bearings & Seals
- Power Transmission Components
- Drives, Motors and Controllers
- Hydraulics, Pneumatics and Filtration
- Heavy and Light Duty Materials Handling
- Valves and Lubrication
- Fasteners, Gaskets and Tools

BMG is a level 2 BEE contributor with ISO 9001 Quality Assurance certification. Health and safety of its employees and customers is a paramount focus and the company adheres to ISO 45001. BMG is also committed to environmental care and sustainability and strictly follows the ISO 14001 charter.

As a key contributor to the Invicta Holdings stable, BMG has played a major part in Invicta's unique achievement of being rated in South Africa's Top 100 Companies for 21 consecutive years.



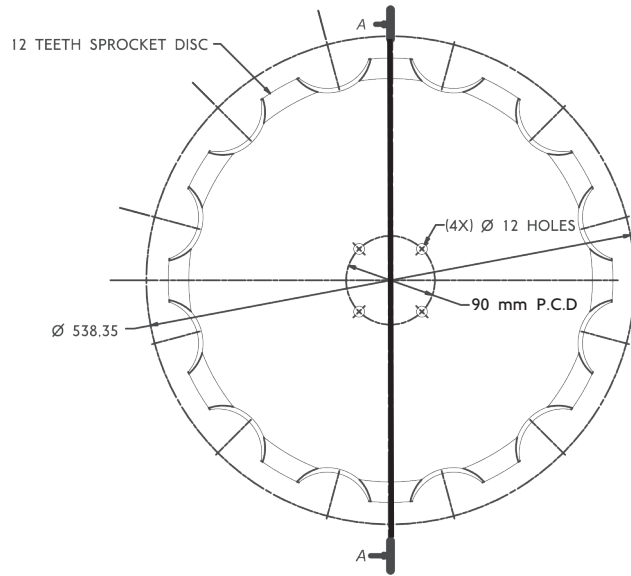
AGRICULTURAL IRONWARE

CONTENTS

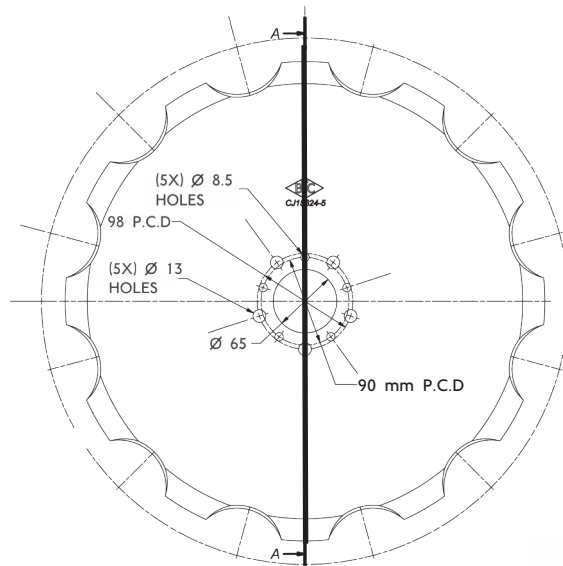
Agriculture Hub For Seeding Discs	93
Harrow Disc Notched / Plain	94
Combination Harvester Blade	95
Agricultural Cultivator Sweeps	95-96
Agricultural Ripper Points	96-99
Harvester Components	100
BTC Drukwiël	101



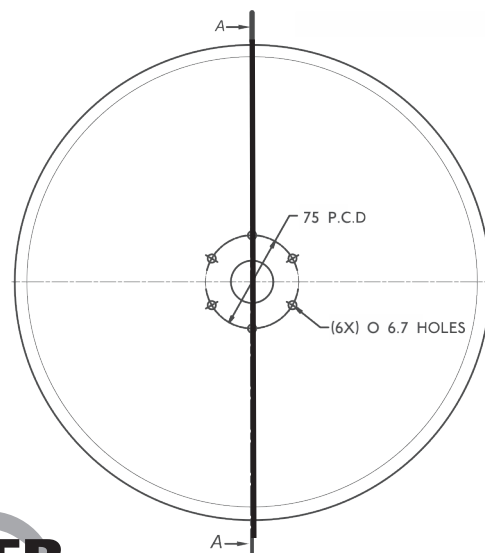
PART NO: CJ15624-4 BTC



PART NO: CJ15624-5 BTC



PART NO: CJ14048-6 BTC



HARROW DISC NOTCHED / PLAIN

PART NO	ROUND/NOTCHED EDGE	OD IN INCHES	THICKNESS	BORE
AFT20/5BNE ROUND	NOTCHED	20	5MM	31MM
AFT20/5BNE ROUND	ROUND	20	5MM	35MM
AFT22/5BNE STAR	NOTCHED	22	5MM	30/33MM
AFT22/5BNE ROUND	NOTCHED	22	5MM	30MM
AFT24/6BNE ROUND	NOTCHED	24	6MM	44MM
AFT26/7BNE BTC	NOTCHED	26	7MM	46MM
AFT26/8BNE STAR	ROUND	26	8MM	30/33MM
AFT28/7BNE NOTCHED BTC	NOTCHED	28	7MM	43MM
AFT28/7BNE ROUND BTC	NOTCHED	28	7MM	46MM
AFT28/8BNE ROUND BTC	NOTCHED	28	8MM	30/33MM

SPECIFICATIONS:

- Material: MN65
- 5 Hole Harrow Disc
- Hole PCD 160 mm
- Outside Diameter: 24 inches
- Notched



**AFT LMK3490467
(LEMKEN)**

Harrow Disc

Material	Thickness	Outside Diameter
MN65	6 mm	620 mm



**AFT LMK55510014 LHS
(LEMKEN)**

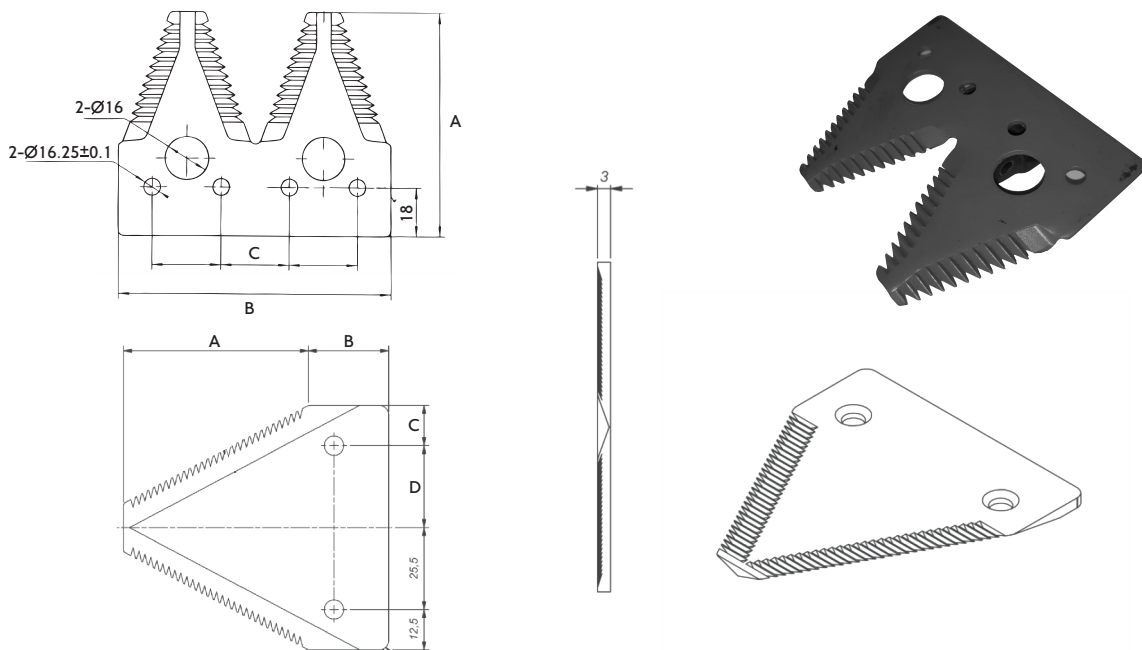


**AFT LMK55510015 RHS
(LEMKEN)**

COMPLETE LEMKEN UNITS NOW AVAILABLE IN THIS RANGE. OTHER SIZE AVAILABLE ON REQUEST.

COMBINATION HARVESTER BLADE

PART NO: AFT HB37682 & AFT10961

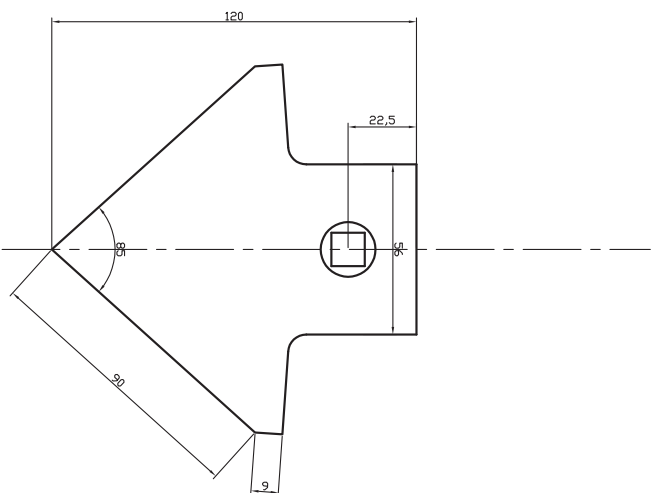


COMBINATION BLADES

PART NO	A	B	C	D
AFT HB37682	57.5MM	25MM	12.5MM	25.5MM
AFT 10961	53MM	26MM	12MM	25.5MM
AFT H163131	82MM	101.2MM	-	25.4MM

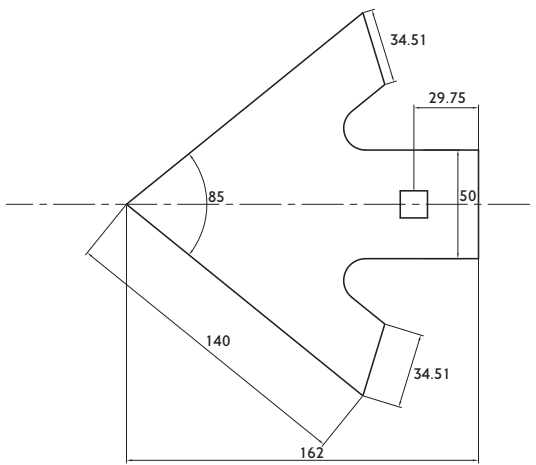
AGRICULTURAL CULTIVATOR SWEEPS

CULTIVATOR SWEEPS
PART NO: AFT7550 BTC

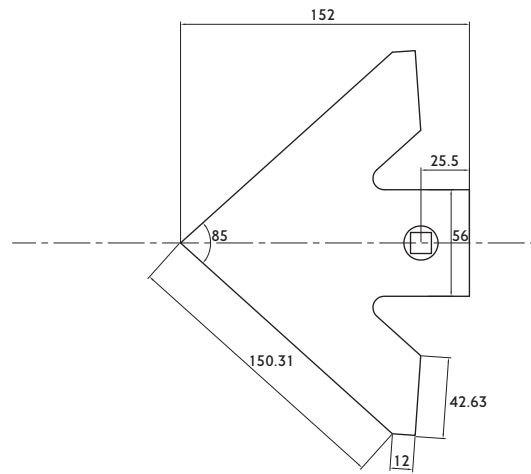


BOER
SLIM

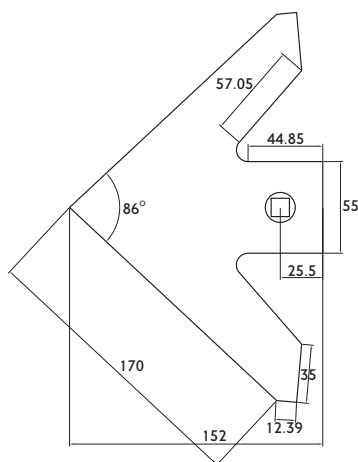
PART NO: AFT7560 BTC



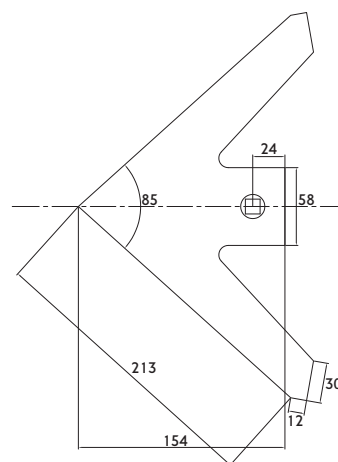
PART NO: AFT7570 BTC



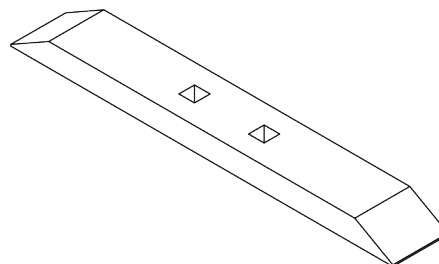
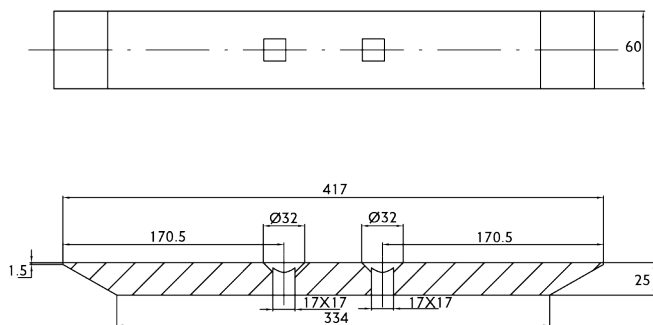
PART NO: AFT7590 BTC



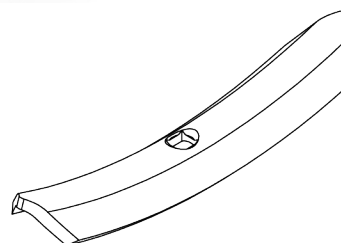
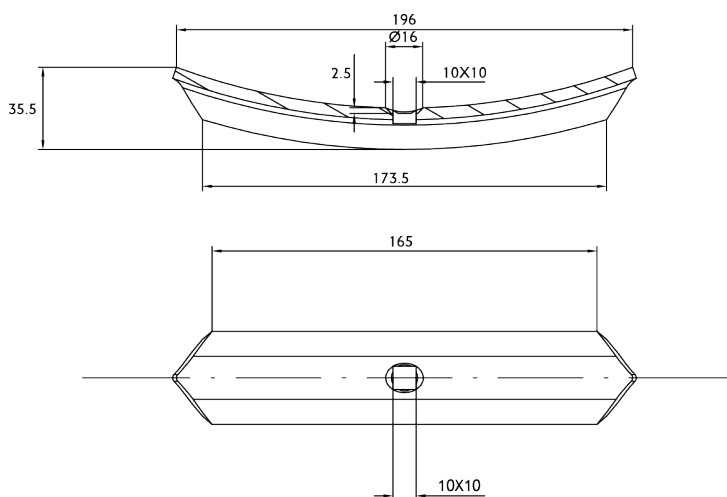
PART NO: AFT16110 K1 BTC



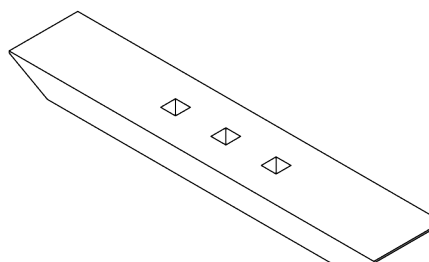
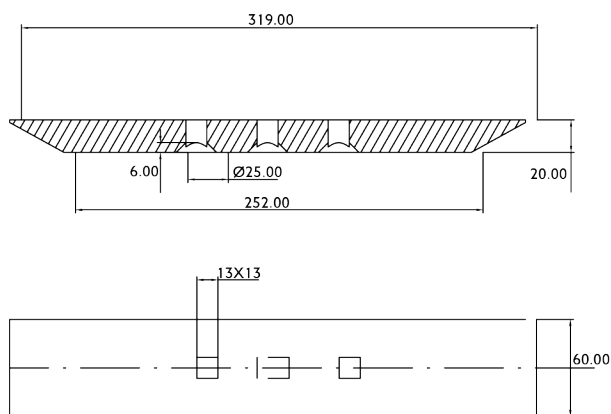
PART NO: AFT7617 BTC



PART NO: AFT7618 BTC

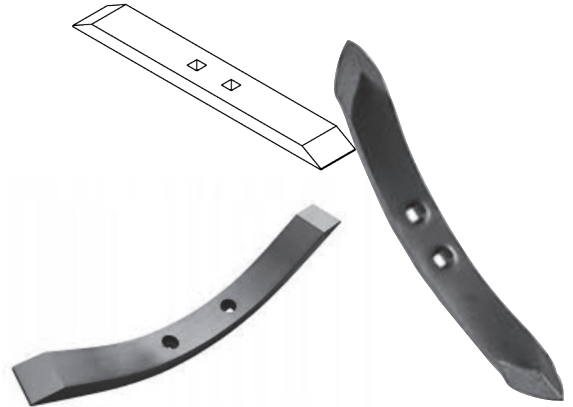
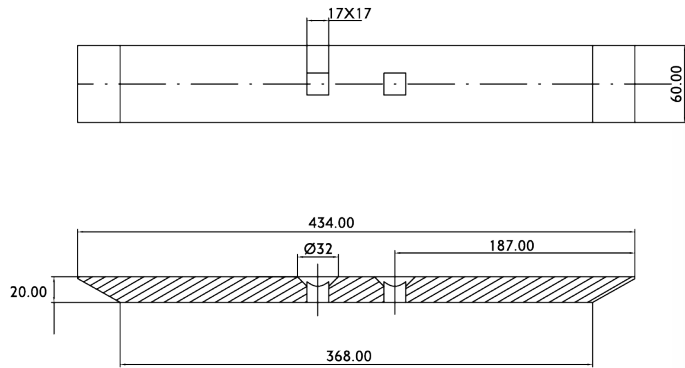


PART NO: AFT7654M BTC

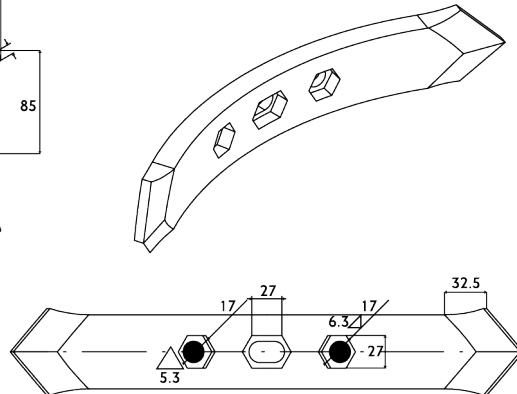
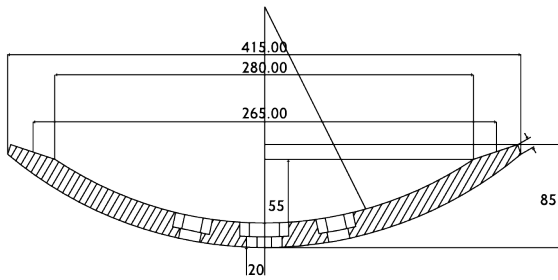


AGRICULTURAL RIPPER POINTS

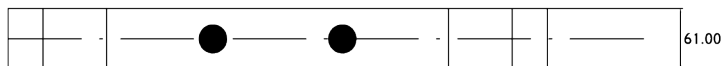
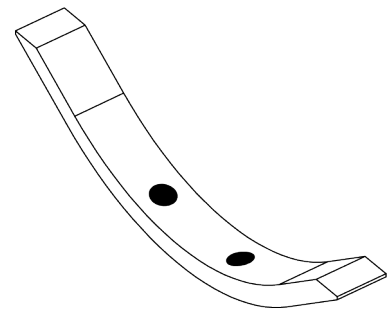
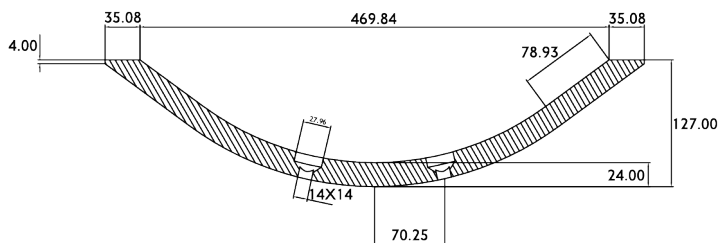
PART NO: AFTDLB18SUP 2 HOLE



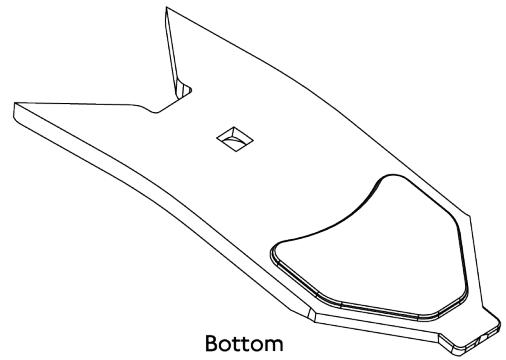
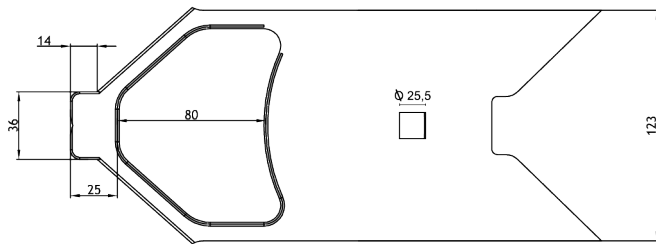
PART NO: AFTDLB18SUP 3 HOLE



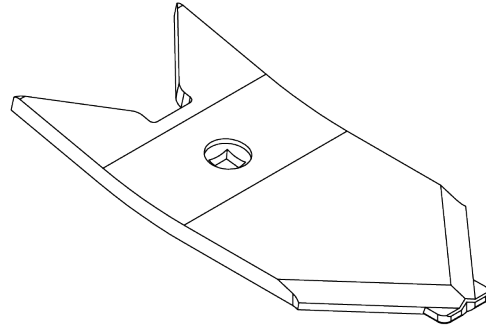
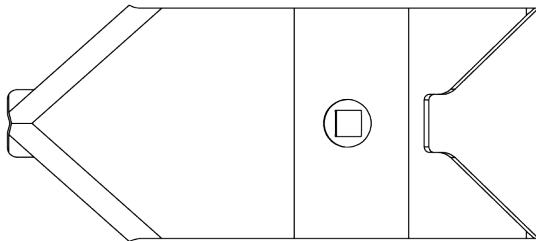
PART NO: AFTK12-3374443



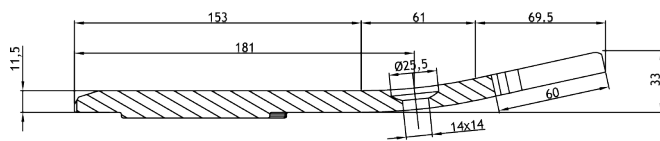
PART NO: AFTK6-33710006



Bottom

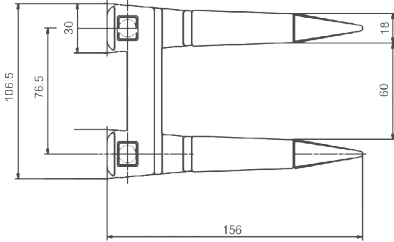
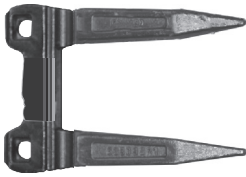


Top

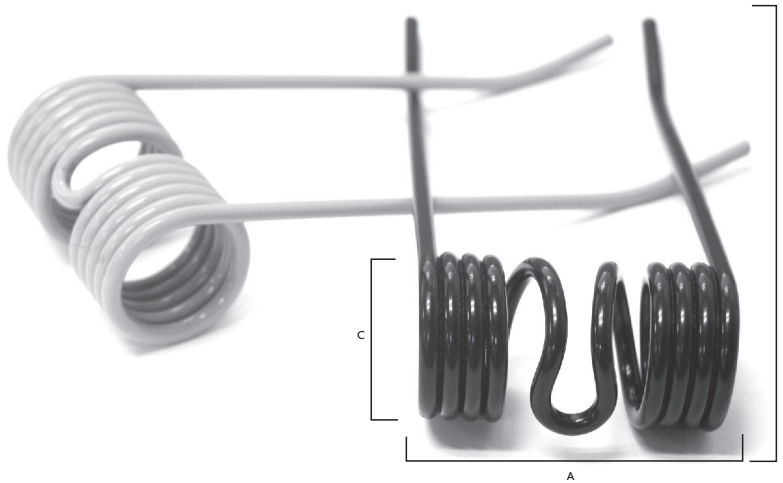
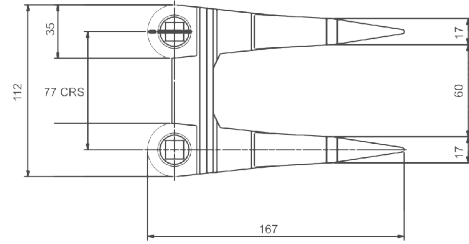
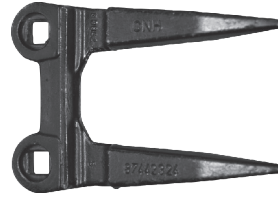


HARVESTER COMPONENTS

PART NO: AFT633098R1



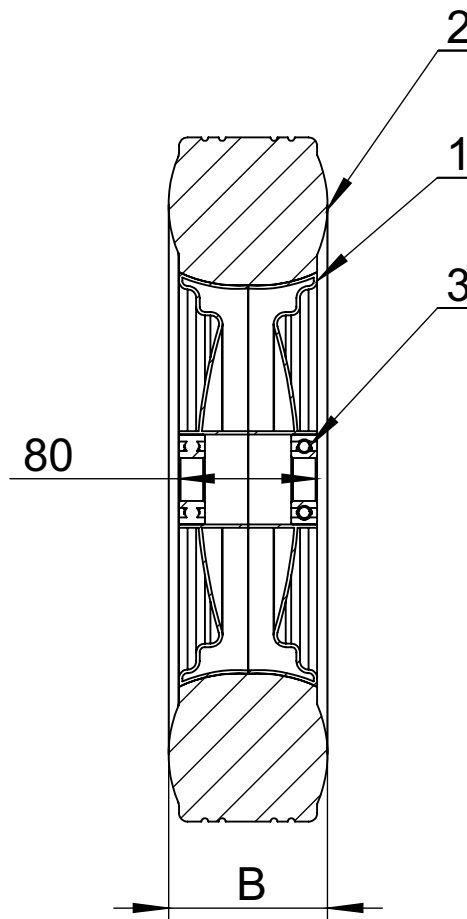
PART NO: AFT87442324



PART NO	DESCRIPTION	A	B	C
AFTF 916061	New Holland Twine	70MM	190MM	41MM
AFTJ 109301	190mm Long Pick-up Twine	75MM	190MM	40MM
AFTF 9379190	Krone Baler Twine	75MM	165MM	40MM



PART NO	A	B
AFT RUBBER WHEEL INFLATE	396MM	92MM
AFT RUBBER WHEEL SOLID	396MM	92MM



Maximum Tyre Pressure = 25 PSI
 Maximum Load = 400 kg / Wheel
 Speed Rating = 4 km / h

Solid
 Maximum Load = 120 kg / Wheel
 Speed Rating = 4 km / h

BRINGING THE WORLD'S BEST BRANDS TO YOU

In the bid to procure cutting-edge components at competitive prices, BMG is able to capitalise on long-standing relationships with leading manufacturers dedicated to excellence in design and production.

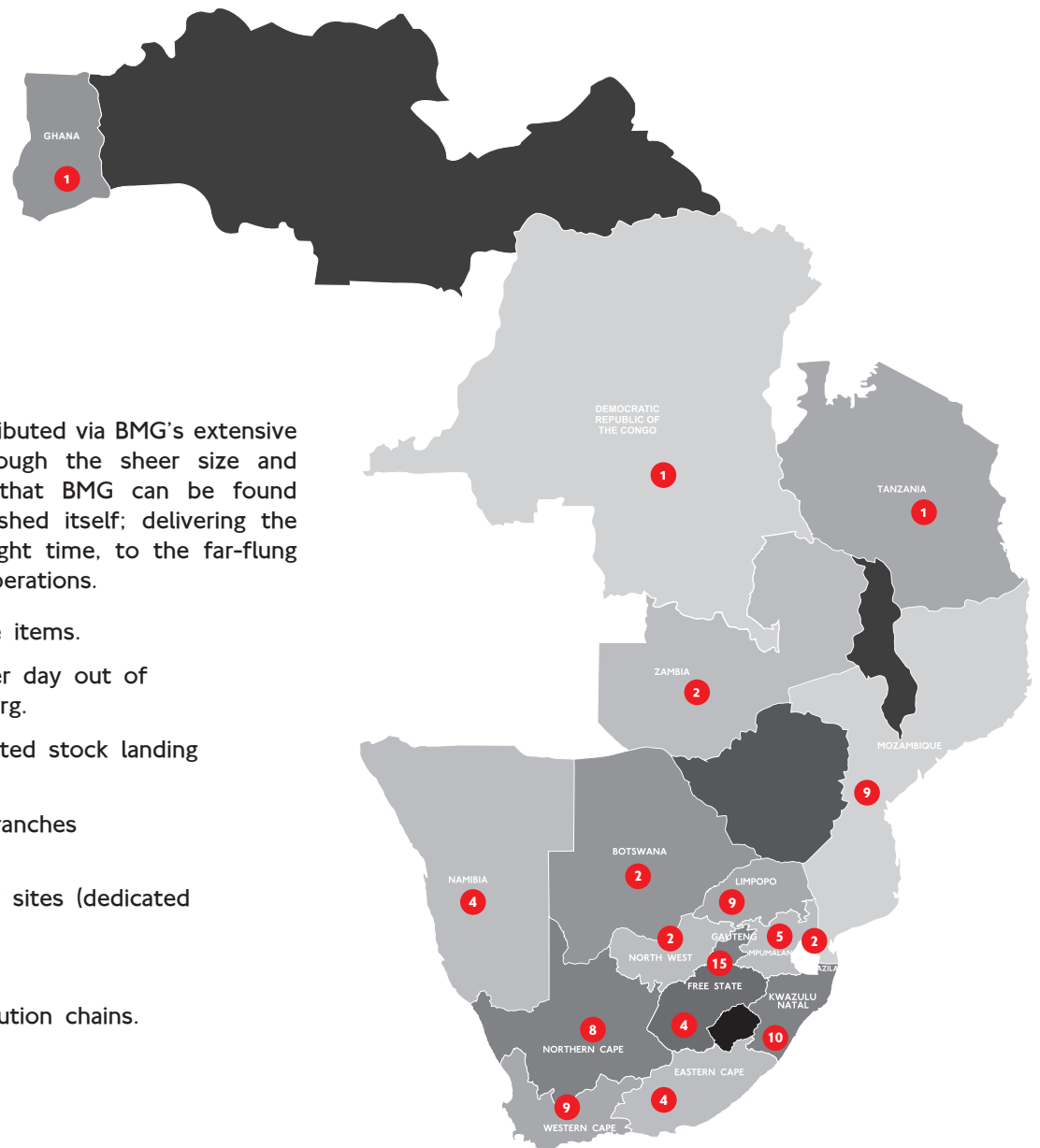
Products are imported from around the globe and brought to BMG's strategically located distribution facilities and regional service centres via the main distribution hub in Johannesburg - BMG World. A world-class facility boasting 308 000m³ of fully stocked warehouse space, an accredited training facility and unlimited engineering capabilities.

Our Extensive Coverage Throughout Africa

88
BRANCHES

Products and services are distributed via BMG's extensive distribution network. It's through the sheer size and reach of our infrastructure, that BMG can be found wherever industry has established itself; delivering the correct components at the right time, to the far-flung coalface of our customers' operations.

- Over 300 000 product line items.
- Around 4 500 transfers per day out of BMG World in Johannesburg.
- Over 1 000 tons of imported stock landing per month.
- 88 strategically situated branches throughout Africa.
- Vendor Managed Inventory sites (dedicated on-site stockholding).
- International exports.
- Locally empowered distribution chains.



24 HR TOLL-FREE EMERGENCY
BRANCH HELPLINE:

0800 022 224

WEBSITE:

www.bmgworld.net



An Invicta Holdings Group Company

BEARINGS • SEALS • POWER TRANSMISSION • DRIVES & MOTORS
MATERIALS HANDLING • TOOLS & FASTENERS • HYDRAULICS
FILTRATION • LUBRICATION • FIELD SERVICE