



# AGRICULTURAL PRODUCT

## Catalogue

Edition 4



**B-BBEE 2**  
EMPOWERING SUPPLIER

ISO 9001	Certified
ISO 14001	Certified
ISO 45001	Certified

# ABOUT US

Established in 1974 as a single bearing shop in Durban, South Africa; BMG's aggressive growth strategy has included acquisitions, supplemented by a steady organic growth discipline. BMG attracts best-of-breed talent resulting in technical expertise that differentiates BMG in the industry. Staff are truly part of the BMG family and its success.

BMG boasts an accredited in-house technical and commercial training academy which fosters a culture of staff development and career advancement; it's all about sustainability.

The net result, is a company that reliably supplies and supports 70 000 customers in 9 countries with the widest range of industrial engineered products and expert services in Africa via 88 branches.

BMG is positioned to deliver bespoke 360 degree solutions to its customers, and subsequently return on investment to its investors and shareholders. BMG plays a pivotal role in supporting the productivity and production targets of all Industrial, Manufacturing, Mining and Agricultural sectors of the economies in the countries it serves. With an enviable reputation as Africa's largest distributor, manufacturer and service provider of the highest quality engineering consumables and components; including

- Bearings & Seals
- Power Transmission Components
- Drives, Motors and Controllers
- Hydraulics, Pneumatics and Filtration
- Heavy and Light Duty Materials Handling
- Valves and Lubrication
- Fasteners, Gaskets and Tools

BMG is a level 2 BEE contributor with ISO 9001 Quality Assurance certification. Health and safety of its employees and customers is a paramount focus and the company adheres to ISO 45001. BMG is also committed to environmental care and sustainability and strictly follows the ISO 14001 charter.

As a key contributor to the Invicta Holdings stable, BMG has played a major part in Invicta's unique achievement of being rated in South Africa's Top 100 Companies for 21 consecutive years.



# AGRICULTURAL TIE ROD CYLINDERS

## CONTENTS

Agricultural Tie Rod Cylinders

194 - 197





# AGRICULTURAL TIE ROD CYLINDERS

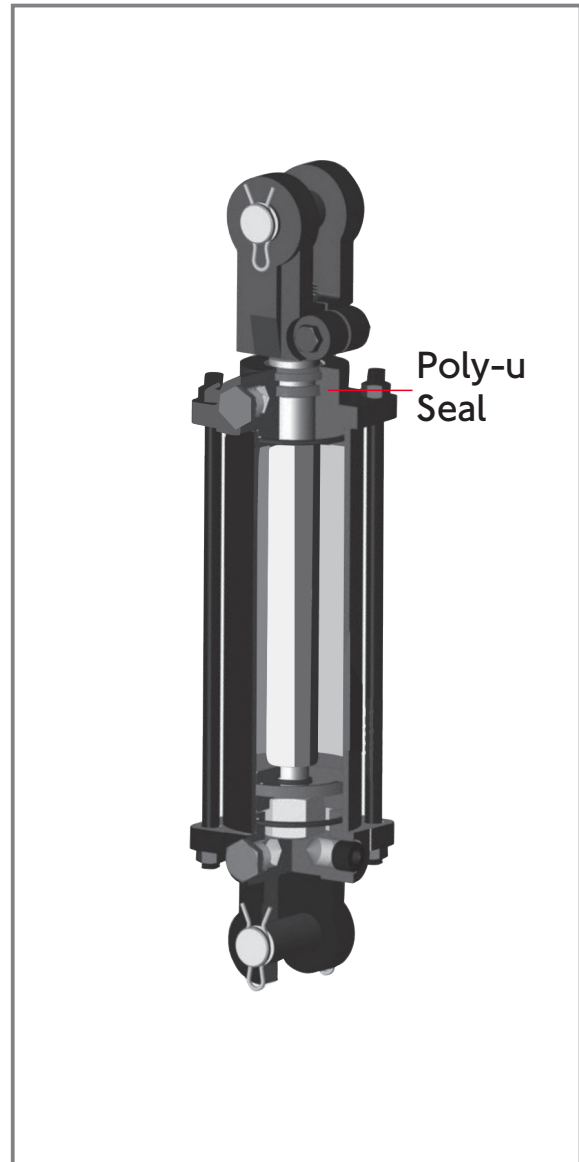
## NEW AND APPROVED POLY - U SEAL ARRANGEMENT

### SPECIFICATIONS

WORKING PRESSURE:	200 Bar
TEST PRESSURE:	275 Bar
WARRANTY:	1yr Limited Warranty

### COMPONENTS

- 1) Rod or shaft Clevis made from forged steel for more strength and durability
- 2) Wiper Seal - Nitrile rubber, prevents ingress of contaminants
- 3) Tie Rods made from high tensile steel
- 4) Base Clevis and Gland Head are made from cast ductile iron which can withstand shock loads without cracking
- 5) Ports can NPT or BSP threaded (single or double ports on base)
- 6) Pins are made from high tensile (standard 25mm diameter)
- 7) Pistons are made from cast ductile iron with Nitrile rubber o-ring and anti - extrusion rings for better wear at high pressure
- 8) Barrel is made from precision ground and honed tubing
- 9) The shaft/rod is precision ground high tensile steel, hard chrome plated for wear and corrosion protection



**BMG HYDRAULICS REPAIR & MANUFACTURE ALL TYPES OF CYLINDERS**



**BOER**  
**SLIM**



# AGRICULTURAL TIE ROD CYLINDERS

## 2" / 50.8mm BORE TIE ROD CYLINDERS 1.1/16" 27mm SHAFT

	STROKE	CLOSED CENTRE	OPEN CENTRE	PART NUMBER
1	150	412	562	HYD-TR 2006-106
2	200	463	663	HYD-TR2008-106
3	200	514	714	HYD-TR2008AX-106
4	200	514	714	HYD-TR2008AXD-106
5	250	514	714	HYD-TR2010-106
6	300	565	865	HYD-TR2012-106
7	350	616	966	HYD-TR2014-106
8	400	666	1066	HYD-TR2016-106
9	450	717	1167	HYD-TR2018-106
10	500	768	1268	HYD-TR2020-106
11	600	870	1470	HYD-TR2024-106
12	750	1022	1772	HYD-TR2030-106
13	900	1174	2074	HYD-TR2036-106

## 3" / 76.2mm BORE TIE ROD CYLINDERS 1.25" / 31.75mm SHAFT

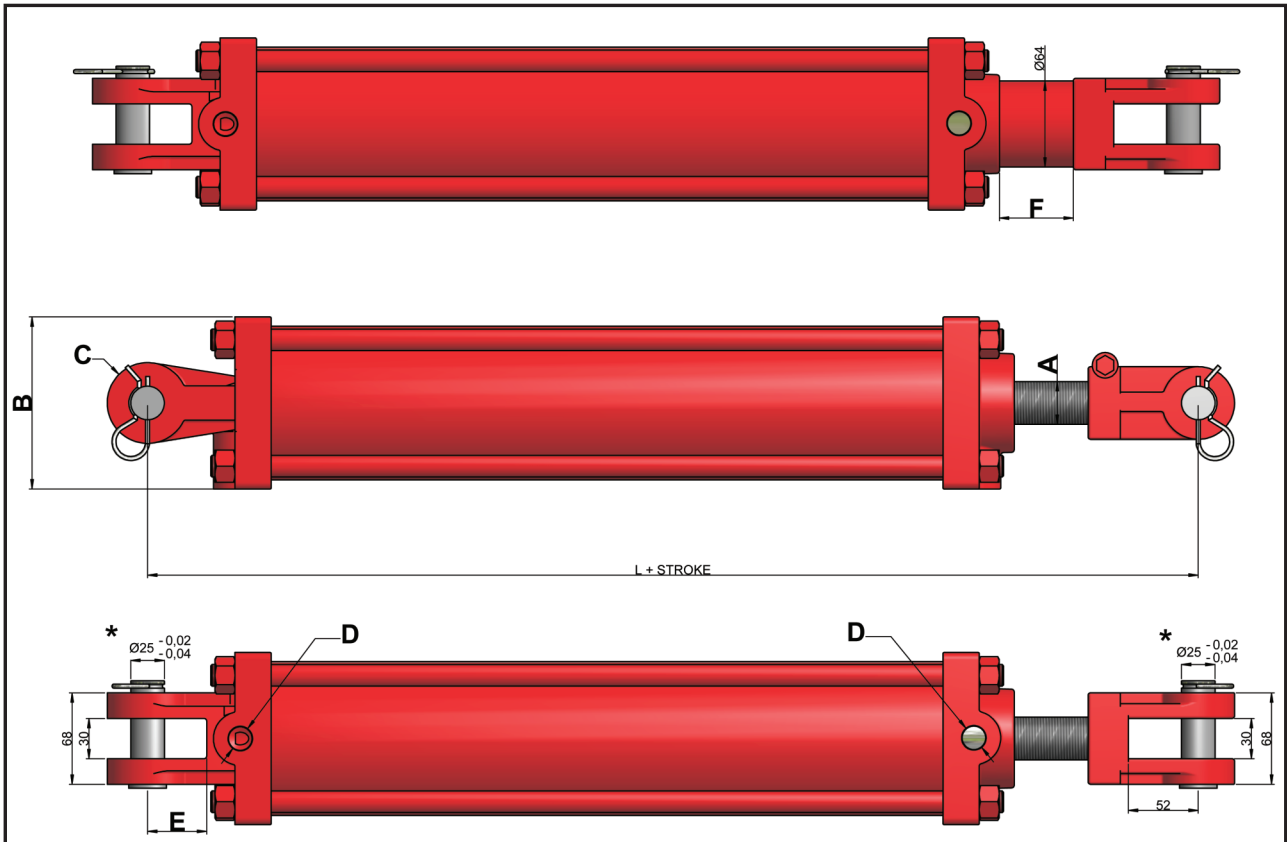
	STROKE	CLOSED CENTRE	OPEN CENTRE	PART NUMBER
1	150	412	562	HYD-TR3006-125
2	200	463	663	HYD-TR3008-125
3	200	514	714	HYD-TR3008AX-125
4	200	514	714	HYD-TR3008AXD-125
5	250	514	714	HYD-TR3010-125
6	300	565	865	HYD-TR3012-125
7	350	616	966	HYD-TR3014-125
8	400	666	1066	HYD-TR3016-125
9	450	717	1167	HYD-TR3018-125
10	500	768	1268	HYD-TR3020-125
11	600	870	1470	HYD-TR3024-125
12	750	1022	1772	HYD-TR3030-125
13	900	1174	2074	HYD-TR3036-125

## 3" / 76.2mm BORE TIE ROD CYLINDERS 1.5" / 38.1mm SHAFT

	STROKE	CLOSED CENTRE	OPEN CENTRE	PART NUMBER
1	150	412	562	HYD-TR3006-150
2	200	463	663	HYD-TR3008-150
3	200	514	714	HYD-TR3008AX-150
4	200	514	714	HYD-TR3008AXD-150
5	250	514	714	HYD-TR3010-150
6	300	565	865	HYD-TR3012-150
7	350	616	966	HYD-TR3014-150
8	400	666	1066	HYD-TR3016-150
9	450	717	1167	HYD-TR3018-150
10	500	768	1268	HYD-TR3020-150
11	600	870	1470	HYD-TR3024-150
12	750	1022	1772	HYD-TR3030-150
13	900	1174	2074	HYD-TR3036-150

# AGRICULTURAL TIE ROD CYLINDERS

SHOWN WITH STROKE ADJUSTER



BORE DIAMETER		2" (50.8mm)	3" (76.2mm)		4" (101.6mm)	
ROD DIAMETER		1 1/16" (27mm)	1 1/4" (31.75mm) 1 1/2" (38.1mm)		1 1/2" (38.1mm) 2" (50.8mm)	
DIMENSION	REMARKS					
A	UNF THREAD	12UNF	12UNF	12UNF	12UNF	12UNF
B		78	105		128	
C		25	25		30	
D		3/8" NPT	1/2" NPT			
E		36			44	
F	WITHOUT SHAFT EXT					4
F	WITH SHAFT EXT					55
L	WITHOUT SHAFT EXT					260
L	WITH SHAFT EXT					311

# AGRICULTURAL TIE ROD SPARES

## 2" / 50.8mm BORE TIE ROD CYLINDERS 1.1/16" 27mm SHAFT

	STROKE	CLOSED CENTRE	OPEN CENTRE	PART NUMBER
1	150	412	562	HYD-TR2006-106
2	200	463	663	HYD-TR2008-106
3	200	514	714	HYD-TR2008AX-106
4	200	514	714	HYD-TR2008AXD-106
5	250	514	764	HYD-TR2010-106
6	300	565	865	HYD-TR2012-106
7	350	616	966	HYD-TR2014-106
8	400	666	1066	HYD-TR2016-106
9	450	717	1167	HYD-TR2018-106
10	500	768	1268	HYD-TR2020-106
11	600	870	1470	HYD-TR2024-106
12	750	1022	1772	HYD-TR2030-106
13	900	1174	2074	HYD-TR2036-106

## 4" / 101.6mm BORE TIE ROD CYLINDERS 1.5" / 38.1mm SHAFT

	STROKE	CLOSED CENTRE	OPEN CENTRE	PART NUMBER
1	150	412	562	HYD-TR4006-150
2	200	463	663	HYD-TR4008-150
3	200	514	714	HYD-TR4008AX-150
4	200	514	714	HYD-TR4008AXD-150
5	250	514	764	HYD-TR4010-150
6	300	565	865	HYD-TR4012-150
7	350	616	966	HYD-TR4014-150
8	400	666	1066	HYD-TR4016-150
9	450	717	1167	HYD-TR4018-150
10	500	768	1268	HYD-TR4020-150
11	600	870	1470	HYD-TR4024-150
12	750	1022	1772	HYD-TR4030-150
13	900	1174	2074	HYD-TR4036-150

## 3" / 76.2mm BORE TIE ROD CYLINDERS 1.25" / 31.75mm SHAFT

	STROKE	CLOSED CENTRE	OPEN CENTRE	PART NUMBER
1	150	412	562	HYD-TR3006-125
2	200	463	663	HYD-TR3008-125
3	200	514	714	HYD-TR3008AX-125
4	200	514	714	HYD-TR3008AXD-125
5	250	514	764	HYD-TR3010-125
6	300	565	865	HYD-TR3012-125
7	350	616	966	HYD-TR3014-125
8	400	666	1066	HYD-TR3016-125
9	450	717	1167	HYD-TR3018-125
10	500	768	1268	HYD-TR3020-125
11	600	870	1470	HYD-TR3024-125
12	750	1022	1772	HYD-TR3030-125
13	900	1174	2074	HYD-TR3036-125

## 4" / 101.6mm BORE TIE ROD CYLINDERS 2" / 50.8mm SHAFT

	STROKE	CLOSED CENTRE	OPEN CENTRE	PART NUMBER
1	150	412	562	HYD-TR4006-200
2	200	463	663	HYD-TR4008-200
3	200	514	714	HYD-TR4008AX-200
4	200	514	714	HYD-TR4008AXD-200
5	250	514	764	HYD-TR4010-200
6	300	565	865	HYD-TR4012-200
7	350	616	966	HYD-TR4014-200
8	400	666	1066	HYD-TR4016-200
9	450	717	1167	HYD-TR4018-200
10	500	768	1268	HYD-TR4020-200
11	600	870	1470	HYD-TR4024-200
12	750	1022	1772	HYD-TR4030-200
13	900	1174	2074	HYD-TR4036-200

## 3" / 76.2mm BORE TIE ROD CYLINDERS 1.5" / 38.1mm SHAFT

	STROKE	CLOSED CENTRE	OPEN CENTRE	PART NUMBER
1	150	412	562	HYD-TR3006-150
2	200	463	663	HYD-TR3008-150
3	200	514	714	HYD-TR3008AX-150
4	200	514	714	HYD-TR3008AXD-150
5	250	514	764	HYD-TR3010-150
6	300	565	865	HYD-TR3012-150
7	350	616	966	HYD-TR3014-150
8	400	666	1066	HYD-TR3016-150
9	450	717	1167	HYD-TR3018-150
10	500	768	1268	HYD-TR3020-150
11	600	870	1470	HYD-TR3024-150
12	750	1022	1772	HYD-TR3030-150
13	900	1174	2074	HYD-TR3036-150
14	3000	3260	6260	HYD-TR30120-150

THESE ARE STANDARD SIZES, ALTERNATE STROKE LENGTHS CAN BE MANUFACTURED UP TO 4000MM STROKE.





# BRINGING THE WORLD'S BEST BRANDS TO YOU

In the bid to procure cutting-edge components at competitive prices, BMG is able to capitalise on long-standing relationships with leading manufacturers dedicated to excellence in design and production.

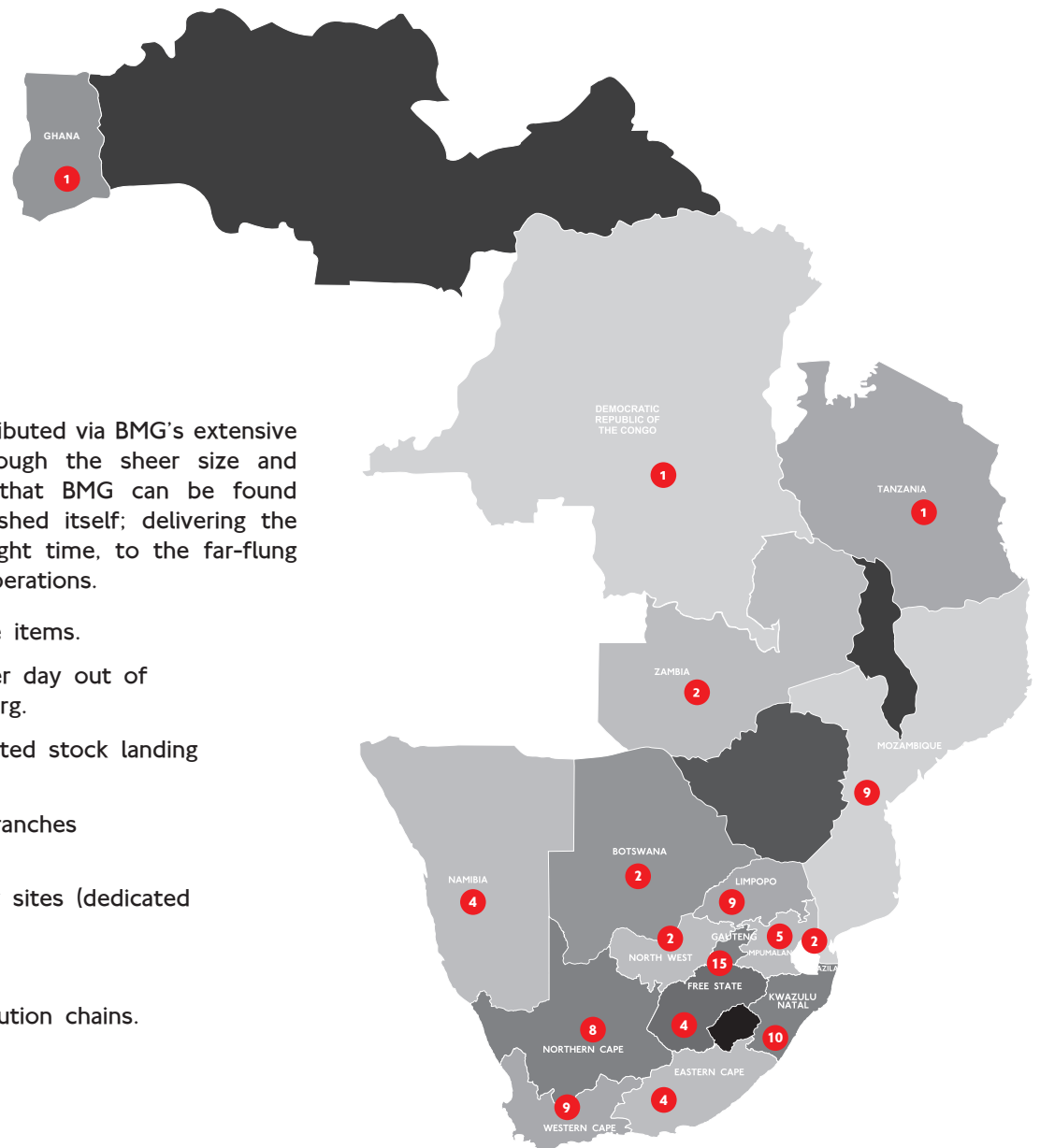
Products are imported from around the globe and brought to BMG's strategically located distribution facilities and regional service centres via the main distribution hub in Johannesburg - BMG World. A world-class facility boasting 308 000m<sup>3</sup> of fully stocked warehouse space, an accredited training facility and unlimited engineering capabilities.

## Our Extensive Coverage Throughout Africa

**88**  
BRANCHES

Products and services are distributed via BMG's extensive distribution network. It's through the sheer size and reach of our infrastructure, that BMG can be found wherever industry has established itself; delivering the correct components at the right time, to the far-flung coalface of our customers' operations.

- Over 300 000 product line items.
- Around 4 500 transfers per day out of BMG World in Johannesburg.
- Over 1 000 tons of imported stock landing per month.
- 88 strategically situated branches throughout Africa.
- Vendor Managed Inventory sites (dedicated on-site stockholding).
- International exports.
- Locally empowered distribution chains.



24 HR TOLL-FREE EMERGENCY  
BRANCH HELPLINE:

**0800 022 224**

WEBSITE:

**[www.bmgworld.net](http://www.bmgworld.net)**



An Invieta Holdings Group Company

BEARINGS • SEALS • POWER TRANSMISSION • DRIVES & MOTORS  
MATERIALS HANDLING • TOOLS & FASTENERS • HYDRAULICS  
FILTRATION • LUBRICATION • FIELD SERVICE