



# AGRICULTURAL PRODUCT

## Catalogue

Edition 4



**B-BBEE 2**  
EMPOWERING SUPPLIER

ISO 9001	Certified
ISO 14001	Certified
ISO 45001	Certified

# ABOUT US

Established in 1974 as a single bearing shop in Durban, South Africa; BMG's aggressive growth strategy has included acquisitions, supplemented by a steady organic growth discipline. BMG attracts best-of-breed talent resulting in technical expertise that differentiates BMG in the industry. Staff are truly part of the BMG family and its success.

BMG boasts an accredited in-house technical and commercial training academy which fosters a culture of staff development and career advancement; it's all about sustainability.

The net result, is a company that reliably supplies and supports 70 000 customers in 9 countries with the widest range of industrial engineered products and expert services in Africa via 88 branches.

BMG is positioned to deliver bespoke 360 degree solutions to its customers, and subsequently return on investment to its investors and shareholders. BMG plays a pivotal role in supporting the productivity and production targets of all Industrial, Manufacturing, Mining and Agricultural sectors of the economies in the countries it serves. With an enviable reputation as Africa's largest distributor, manufacturer and service provider of the highest quality engineering consumables and components; including

- Bearings & Seals
- Power Transmission Components
- Drives, Motors and Controllers
- Hydraulics, Pneumatics and Filtration
- Heavy and Light Duty Materials Handling
- Valves and Lubrication
- Fasteners, Gaskets and Tools

BMG is a level 2 BEE contributor with ISO 9001 Quality Assurance certification. Health and safety of its employees and customers is a paramount focus and the company adheres to ISO 45001. BMG is also committed to environmental care and sustainability and strictly follows the ISO 14001 charter.

As a key contributor to the Invicta Holdings stable, BMG has played a major part in Invicta's unique achievement of being rated in South Africa's Top 100 Companies for 21 consecutive years.



# FLUID TECHNOLOGY & FILTRATION

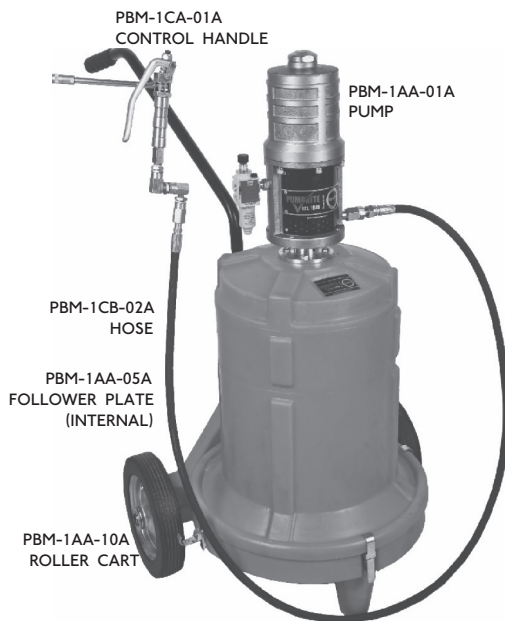
## CONTENTS

Pumprite	200-201
Flow Metrix	202-204
Mobile Valves	205-206
Lined Slurry Knife Gate Valves	207-208





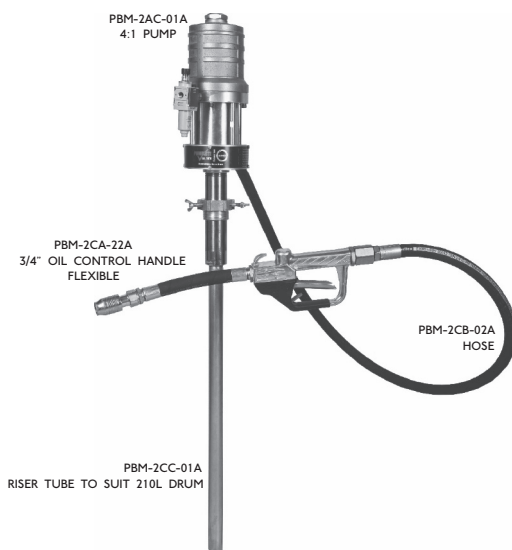
## PUMPRITE MK-5 GREASE PUMP ROLLER CART OPTION



### PRODUCT FEATURES

- Fluids Handled: Grease up to NLGI-2
- Fluid pressure ratio: 50:1
- Pressure Output: 350 Bar (7 bar air supply pumping Lithium Ep2).
- Air Operating Range: 3 - 10 Bar
- Rotational Sleeve facilities 360° rotation of the Air Motor
- Refined design that can be stalled without damage; failsafe operation
- Anodised Air Motor for extended wear life
- Ground and Heat Treatment finishes on hard wearing components
- Reciprocating piston design ensures an even and non-pulsating delivery of product
- Product supply Outlet: 3/8" NPS
- Includes a Parker P31 Mini Series Air Supply Lubricator as standard
- Drum Size correlation includes a Multi Drum 15kg, 18kg and 25kg as well as 50kg and 180kg
- Roller Cart option offers ease of mobility
- Combines well with the Pumprite Heavy Duty Hose Reel Range
- Various accessories available
- 1 Year Warranty - Please note general Terms and Conditions

## PUMPRITE 4:1 PNEUMATIC OIL PUMP



### PRODUCT FEATURES - ALL PNEUMATIC OIL PUMPS

- Fluids Handled: All Viscosity Oils
- Air Operating Range: 3 - 10 Bar
- Refined design that can be stalled without damage; failsafe operation
- Anodised Air motor for extended wear life
- Ground and Heat Treatment finishes on hard wearing components
- Reciprocating piston design ensures an even and non-pulsating delivery of product
- Includes a Parker P31 Mini Series Air Supply Lubricator as standard
- Stub Pump sold as standard. Riser Tube or wall mount kit available
- Roller Cart Option on 210l Mobile Trolley offers ease of mobility
- Combines well with the Pumprite Heavy Duty Hose Reel Range as well as the Pumprite Wall Mounted Swivel Reel
- Various accessories available
- 1 Year Warranty - Please note general Terms and Conditions.

Contact your nearest branch for more information



## PUMPRITE MANUAL GREASE PUMPS

PBM-1EA-01A  
FIELD GREASER 15KG



PBM-1EA-03A  
FIELD GREASER  
MOBILE TROLLEY



PBM-1EB-01A  
HIGH PRESSURE BUCKET PUMP

### PRODUCT FEATURES

- Ground and Heat Treatment finishes on hard wearing components
- Exposed components treated to prevent corrosion
- Delivery Volume: 223g / 20 Strokes
- High pressure output of 420 Bar
- Robust construction
- Portable, manually operated and lightweight
- Fluids Handled: Grease up to NLGI-2
- Roller Cart option offers ease of mobility
- Fitted standard with a Lock n Lube 4 Jaw spring loaded coupler
- Standard hose length 1.5m
- Robust, durable, lightweight LLDPE Polyethylene drum cover / grease container
- 1 Year warranty - Please note general Terms and Conditions

## PUMPRITE MANUAL GEAR OIL PUMP



PBM-2DA-01A  
GEAR OIL BUCKET PUMP

### PRODUCT FEATURES

- Semi-Rotary pumping mechanism
- Adjustable mechanical mechanism enables a quantified delivery of product
- Robust, user - friendly design
- Internal rack system manufactured in Brass for longevity in operation
- All components are plated or powder coated for high corrosion resistance
- 250ml/ stroke
- 1.5m Clear reinforced braided hose supplied as standard
- 1 Year Warranty - Please note general Terms and Conditions.

Contact your nearest branch for more information

## SAFMAG BETA METER ELECTROMAGNETIC FLOWMETER

Industries are increasingly being driven to accurately monitor and control the consumption and disposal of our scarce water resources.

The Safmag  $\beta$  (Beta) Meter is designed for the water, waste water and irrigation industries.

The Safmag  $\beta$  Meter is cost effective, easy to use, easy to install and provides excellent accuracy and reliable flow measurement in demanding environments. The Safmag  $\beta$  Meter is available with wetted parts to suite all portable water and effluent applications.

The Safmag  $\beta$  Meter delivers exceptional accuracy of  $\pm 0.5\%$ , uses the long proven non-intrusive principle of electromagnetic induction, has no moving parts and introduces zero head loss. Readings are independent zero head loss. Readings are independent of density, temperature, viscosity and pressure. The  $\beta$  signal converter has state-of-the-art electronic components and a high-speed microprocessor for accuracy and reliability.

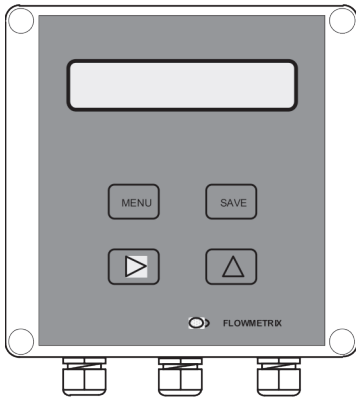
The Safmag is a South African designed and manufactured flow meter with a long history of delivering accurate and reliable flow measurement with exceptional local product support.

Water & Waste Water are becoming increasingly expensive. When you need to know how much, how fast, where and when the water went, the  $\beta$  Meter is the natural choice. Flow total and flow rate are always available at the converter. Output signals available to remote instrumentation and telemetry include analogue and digital outputs and Modbus RTU RS485.

### PRODUCT FEATURES

- Sensor size
  - DN 10..150 W PN 16 IP67, IP68 (OPTIONAL)
  - DN150..600 MXI PN 10/16 IP67, IP68 (OPTIONAL)
- Transmitter Display
  - Beta remote wall mount Ip67
  - Two-line rate and total
  - Displayed total selectable resettable / grand total
- Configuration
  - Supplied to customers specs or modified on site via easy to use menu structure with touch keypad
- Outputs
  - Isolated open collector pulse x3
  - 24V auxiliary power supply
  - Isolated active 4-20mA programmable
- Communication
  - Modbus RTU Rs485 (optional)
- Power Supply
  - 80-240Vac 50/60 Hz < 5VA
  - 12-30Vdc < 5W
- Accuracy
  - +/- 0.5% of flow rate >0.5m/s
- Repeatability Range
  - +/- 0.1% of flow rate >0.5m/s
  - 0.1-10m/s
- Calibration
  - Standard 3-Point calibration certificate
- Features
  - Batching control with OCT output
  - Low Cost
  - Non-intrusive
  - No pressure loss
  - No moving parts
  - No maintenance
  - Active empty pipe detection
  - Integral spike suppression
  - Password and tamper protection
  - Error displays for easy diagnostics
  - Easy to install
- Options
  - GSM telemetry - Installation Kit (Bolt sets & gaskets) - Grounding rings (for lined or non-conductive pipe)
- Standards
  - ISO 6817 First Edition 1992-12-01 Magflow design, CE Certified, IEC 60068-2-6 Vibration, IEC-60068-2-27 Shock



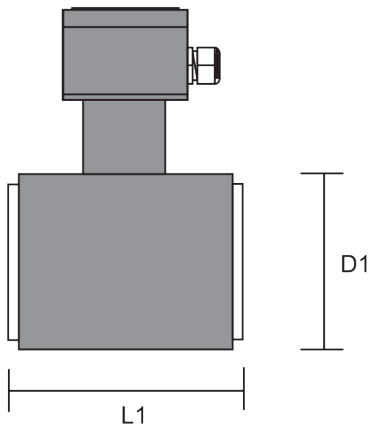


β Signal Converter 125(l) x 125(w) x 75(d)

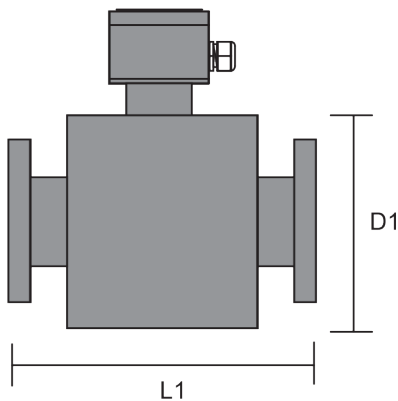
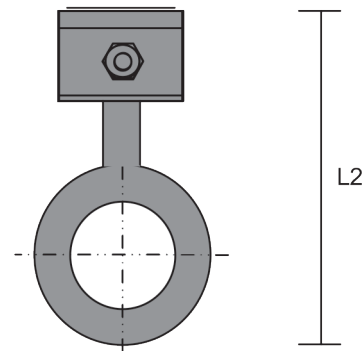
## W SENSOR DATA TABLE

Meter Size, ID (mm)	L1 (mm)	L2 (mm)	D1* (mm)	Mass (Kg)	Operating Flowrate m <sup>3</sup> /hr	
					Min**	Max
10	80	174	64	1.4	0.14	2.8
15	80	174	64	1.4	0.32	6.4
25	80	174	64	1.4	0.88	17
40	90	195	85	1.9	2.25	45
50	100	212	102	2.5	3.5	70
80	125	237	127	3.5	9	180
100	150	270	160	5.3	14.5	280
150	200	328	218	15	32.5	640

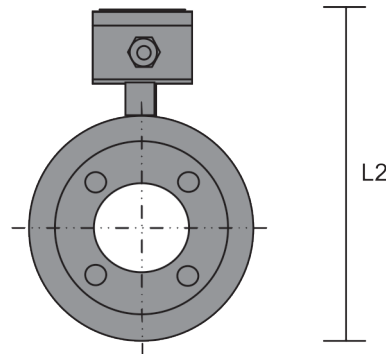
- D1 Fits between flange bolts for SABS 1123 1600, BS4505 PN16, BS10
- T/D, ANSI 150#
- \*\* Minimum flow rate at which stated best accuracy applies



## W SENSOR



## MXI SENSOR



## MXI SENSOR DATA TABLE

Meter Size, ID (mm)	L1 (mm)	L2 (mm)	D1 (mm)	Mass (Kg)	Operating Flowrate m <sup>3</sup> /hr	
					Min**	Max
150	300	355	315	42	32	640
200	350	415	375	60	56	1130
250	450	470	430	80	88	1760
300	500	525	485	100	127	2540
350	550	585	545	140	173	3460

Meter Size, ID (mm)	L1 (mm)	L2 (mm)	D1 (mm)	Mass (Kg)	Operating Flowrate m <sup>3</sup> /hr	
					Min**	Max
400	600	645	605	190	226	4520
450	650	705	665	220	286	5720
500	700	775	735	280	354	7070
600	800	890	850	420	509	10180

\*\* Minimum flow rate at which stated best accuracy applies



## SAFMAG MODEL NO:

**SAMPLE CODE SAFMAG 150 D 2 HD SS R 010 W**

### SIZE

010	10mm	W
015	15mm	W
025	25mm	W
040	40mm	W, MXI
050	50mm	W, MXI
080	80mm	W, MXI
100	100mm	W, MXI
150	150mm	W, MXI
200	200mm	MXI
250	250mm	MXI
300	300mm	MXI
350	350mm	MXI
400	400mm	MXI
450	450mm	MXI
500	500mm	MXI
600	600mm	MXI

### SIGNAL CONVERTER

B	BETA Converter
D	DCMPU Converter

### SUPPLY VOLTAGE

1	115Vac 50/60Hz
2	230Vac 50/60Hz
3	10-30Vdc
4	80-240Vac 50/60Hz

### LINING MATERIAL

PT	PTFE	-10 to 80°C (W)
HD	HDPE	-10 to 60°C (W Sensors)
NR	Natural rubber	-10 to 70°C (MXI Sensors)
DA	Durathane rubber	-10 to 70°C (MXI Sensors)
OTHER	(consult factory)	

### ELECTRODE MATERIAL

SS	316 Stainless steel
HC	Hastelloy C
OTHER	(consult factory)

### CONVERTER MOUNTING

R	Remote wall mount
---	-------------------

### CABLE LENGTH

010	Length in metres (max 100m)
-----	-----------------------------

### FLANGE PATTERN

1	SABS 1123 1000/3 - 10 bar (MXI Sensor DN150..600)
2	SABS 1123 1600/3 - 16 bar (MXI Sensor DN150..600)
5	SABS 1123 2500/3 - 25 bar (MXI Sensor DN150..600)
6	SABS 1123 4000/3 - 40 bar (MXI Sensor DN150..600)
W	Wafer format – no flanges, 16 bar maximum (W Sensor DN25..150) Fits between flange bolts for SABS 1123 1600, BS4505 PN16, BS10 T/D, ANSI 150#
OTHER	(consult factory)

Directional control valves are manufactured in sectional and mono block versions, with a flow capacity up to 150 l/min and with max working pressure up to 380 bar. Available from 1/4" to 1" BSP ports. The valves have several controls, positioning types and various spoils.

## Butterfly Valves

Applications	Agriculture, Water treatment, Water works & general industrial applications
Type	Wafer, flanged, lugged
Size	DN 25 to DN 1200
Pressure	PB 10 to PN 16
Body material	Cast iron epoxy coated
Disc material	Ductile iron 316 stainless steel 304 Stainless steel & Nickel Plated
Liner material	EPDM EPDM - high temperature Nitrile, Natural rubber, Viton
Temperature	-100°C to +150°C
Actuation	Manual, pneumatic & electric



A butterfly valve is a quarter-turn valve used to either isolate or regulate flow of a fluid. A disc in the body of the valve is positioned perpendicular or horizontally to the flow in the closed position and rotated one quarter of a turn to be parallel to the flow in the fully opened position. Intermediate rotations allow regulation of flow. Butterfly valves have very good flow characteristics, which makes them advantageous in Agricultural and Industrial applications. They are reliable and require very little maintenance which, if necessary, can be done with ease.

## Plastic Butterfly Valves

Applications	Corrosive liquids, Seawater, Chemical, Waste Water
Type	Wafer
Size	DN 50 to DN 800
Pressure	PN 2 to PN 16
Body Material	PVC PP PVDF
Seal Material	EPDM Viton
Temperature	-10°C to +110°C
Actuation	Manual Pneumatic Electric



Thermo Plastic Butterfly Valves is a quarter-turn valve used to either isolate or regulate flow. The advantage of a PVC Butterfly Valve is that it is lightweight and durable and compatible to either steel or HDPE piping.

Contact your nearest branch for more information

## Ball Valves

Applications	On/off and control of water, waste water and irrigation.
Type	1 piece screwed, 2 piece flanged and 3 piece screwed
Size	DN 15 to DN 100 Larger sizes on request
Pressure	1600PSI
Body material	Stainless Steel, Brass Chrome Plated
Seat material	PTFE
Temperature	-20°C to 200°C
Actuation	Manual Pneumatic Electric



These are flow valves that are quarter-turn, straight-through and 3-way valves. They allow for shut-off purposes only. The valve is not suited for control purposes, as there is an open cavity behind the ball that can close up and cause the ball to seize.

Ball valves are durable and usually work to achieve perfect shut-off, even after years of misuse.

They are therefore an excellent choice for shut-off applications (and are often preferred to globe valves and gate valves for this purpose).

## Plastic Ball Valves

Applications	Non-metallic, chemical, corrosive and water treatment
Type	T-port, L-port
Flanged, Solvent Sockets, Threaded	
Size	DN 6 to DN 100
Pressure	PN 10 to PN 16
Body Material	PVC PP PVDF
Ball Material	PVC PP PVDF
Seal Material	EPDM Viton
Temperature	PTFE
Actuation	0°C to +110°C Manual Pneumatic Electric



Thermo Plastic Ball Valve is a quarter-turn valve used to isolate flow. The advantage of a PVC Ball Valve is that it is lightweight and durable, compatible to either steel or HDPE Piping and the ease of installation with either threaded ends or PVC Weld Ends.





The FPV Lined Slurry Knife Gate Valve is designed for full on/off abrasive and corrosive applications. The Urethane or Rubber lining is moulded throughout the body and chest area. The lining is flush with the bottom of the valve eliminating any pocket where material can collect.

## Product Specifications:

Size Range:	2" - 24" (50mm - 600mm)
Valve Type:	Slurry knife gate
Body Style:	Narrow Body (Wafer)
Temperature Range:	80°C
Pressure Rating:	Up to 240 psi (16 bar)
Body Material:	Cast ductile iron, 2 coat epoxy painted or Stainless steel
Gate Material:	17-4PH Stainless Steel, 316L Stainless Steel, 2205 Duplex Stainless Steel, 2507 Duplex Stainless Steel, C276 HASTELLOY
Gate / Blade:	Coated with fluorocarbon coating
Seat Material:	Poly-urethane, Rubber or lip seal
Duty:	Abrasive applications
Hydro-Static Test	1.5 Times the rated pressure

## Features:

- Perimeter sealing at 16 bar.
- Smooth bottom (no groove).
- No metal parts in contact with the flowing slurry.
- Bubble tight shutoff.
- No clogging bonnet to impede flow.
- External epoxy or powder coated.
- Easily adapted to fit most actuators.
- Low maintenance requirements.
- MSS-SP-81 face-to-face.
- Lock out & switch mountings.
- Live-load packing gland.
- Full-port design.
- Lightweight material for easy handling.
- Minimised chest area & close tolerances preventing media from packing.
- Robust gate design reduces bending.
- Zero discharge to atmosphere.
- No pressure drop across valve.
- Fluorocarbon coated valve to reduce friction when stroked.
- PTFE blade wiper.
- Two piece body.
- Universal tower frame.



Premium materials are supplied standard on all valves.

Product code: OM-K(SIZE)-10SS-PU-ACT FPV



## How the Liner Works

The liner seat is flush with the bottom of the port eliminating debris and slurry, allowing a leak free seal when closed. The liner also extends over the flange face essentially creating a gasket type seal when installed in the line, thus eliminating additional gaskets.

## Actuators

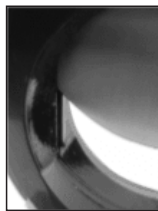
All types of actuators can be fitted; electric, gearbox, hydraulic, pneumatic and handwheel.

## Applications

The valve is suited for mining and mineral processing, power generation, sand/gravel, chemical & soda ash, pulp & paper, environmental & effluent, dry feeds & powders.

## Accessories

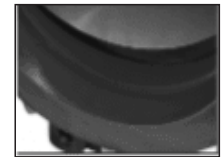
- Limit switches
- PTFE blade coating
- Various blade materials
- Gate safety guards
- Deflector cone



Epoxy Coated with Lip-seal

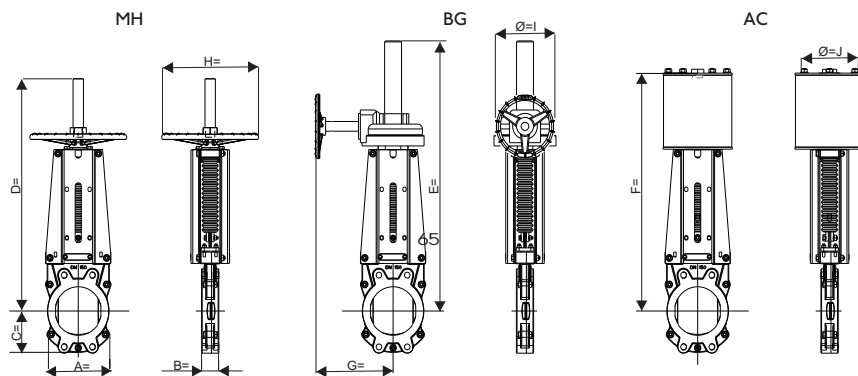


Soft Rubber lined



Polyurethane lined

## Dimensions & weights



Valve Size	A	MSS-SP 81 - F/F	Lined F/F	C	D	E	F	G	H	I	J	MH kg	BG kg	AC kg
50	146	48	54	65	428	500	380	303	300	300	100	12	23	17
65	146	48	54	65	428	500	380	303	300	300	100	16	26	21
80	126	51	57	89	480	500	484	303	300	300	100	15	24	24
100	142	51	57	98	548	568	552	303	300	300	100	20	29	27
125	200	57	64	118	448	568	552	303	300	300	160	24	33	33
150	200	57	64	130	713	733	715	328	500	500	160	29	34	40
200	303	70	76	155	884	1004	874	328	500	500	200	62	65	83
250	322	70	76	161	1019	1039	1017	328	500	500	250	83	85	118
300	374	76	83	187	1234	1254	1185	328	600	600	300	102	101	145
350	444	76	83	222	1388	1400	1354	328	600	600	300	131	134	194
400	504	89	95	251	1508	1528	1474	328	600	600	400	182	182	263
450	568	89	95	284	1709	1739	1691	351	600	600	450	208	222	336
500	622	114	121	311	1871	1901	1853	351	600	600	450	268	282	396
600	712	114	121	355	2104	2134	2136	351	600	600	550	380	395	517



The FPV High Pressure Slurry Knife Gate valve is a true bi-directional slurry knife gate valve. Its rubber sleeves are designed to seal and withstand the harsh abrasive duty inherent in mining & milling facilities. Isolation is provided by the gate passing through the sleeve in such a manner that any solids that could potentially clog or jam the blade are pushed out into the atmosphere through the bottom of the valve housing.

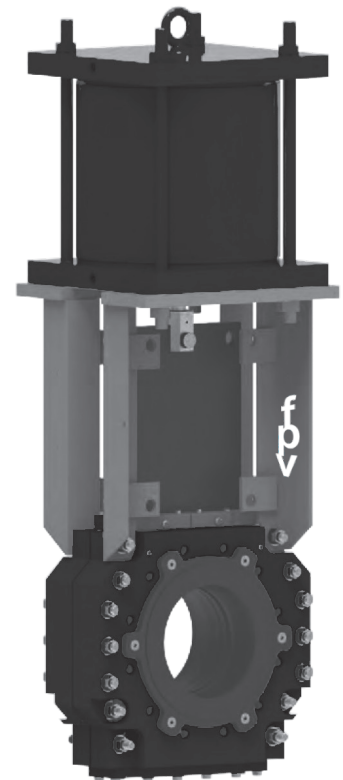
## Product Specifications:

Size Range:	3" - 36" (80mm - 900mm)
Valve Type:	Slurry knife gate (high-pressure)
Body Style:	Full Flanged
Temperature Range:	176° F (80°C)
Pressure Rating:	Up to 740 psi (51 bar)
Body Material:	Cast ductile iron, 2 coat epoxy painted
Gate Material:	17-4PH Stainless Steel, 316L Stainless Steel, 2205 Duplex Stainless Steel, 2507 Duplex Stainless Steel, C276 HASTELLOY
Gate / Blade:	Coated with fluorocarbon coating
Sleeve Material:	Gum rubber, high-temp EPDM, Neoprene, Nitrile, Chlorobutyl
Duty:	Medium to heavy abrasive applications
Hydro-Static Test	1.5 Times the rated pressure

## Features:

- Bi-directional operation at 51 bar.
- Zinc nickle plated hardware.
- Heavy duty stainless steel gate.
- CNC machined gate guide & body.
- Manual lockout.
- Stuffing box with gland follower.
- Double seat design for heavy duty slurry service.
- Low maintenance requirements.
- 100% bubble tight shut off.
- Imperial and metric flanged patterns.
- Protective spindle cover & bellows.
- Full port & bi-directional.
- Flush ports in valve body.
- Open body allows for purging.
- Two coat epoxy paint.
- Lubrication ports.
- Fluorocarbon coated gate to reduce friction and increase wear life on sleeves.
- Two piece body.
- Universal tower frame.

Product code: OM-K(SIZE)-10SS NBR SLURRY HW



Premium materials are supplied standard on all valves.



# HIGH-PRESSURE SLURRY KNIFE GATE VALVE

## Actuators

All types of actuators can be fitted; electric, gearbox, hydraulic, pneumatic and handwheel.  
(Choice of operator is based on the valve size & pressure)

## Applications

The valve is suited for mining and mineral processing, power generation, sand/gravel, chemical & soda ash, pulp & paper, environmental & effluent, dry feeds coal, Alumina, Phosphate & general industry.

## Advantages of Rubber Sleeves

Designed specifically for heavy-duty slurry applications, the sleeves are easily replaced in the field, prolonging valve working life. Sleeves provide a 100% bubble tight seal and rely on the pressure between the sleeves to seal. The sleeves are bi-directional and have an internal stiffening ring.

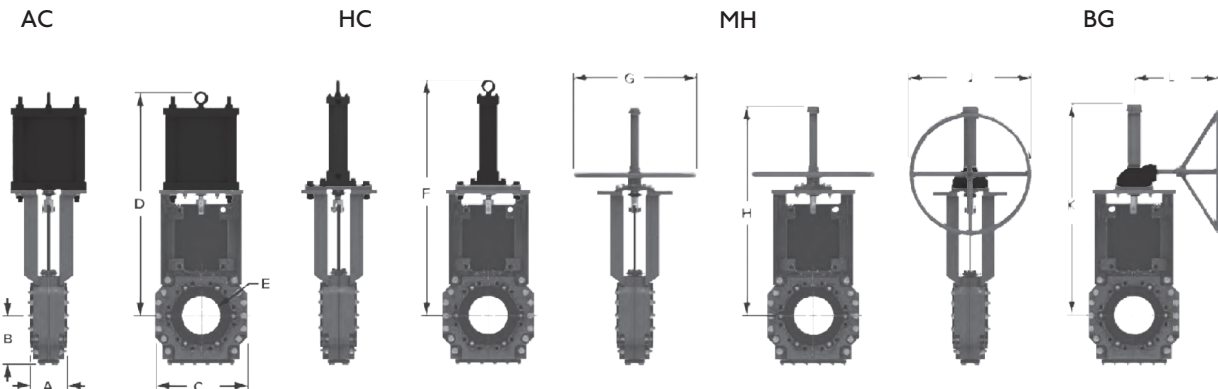
## Accessories

- Limit switches
- PTFE blade coating
- Various blade materials
- Gate safety guards
- Deflector cone



Natural Rubber Sleeve

## Dimensions & Weights



Valve Size	A	B	C	D	E	F	G	H	J	K	L	AC kg	HC kg	MH kg	BG kg
80	176	156	273	652	71	667	300	624	300	622	368	50	50	50	65
100	176	181	318	722	95	714	300	683	300	686	368	70	60	72	80
150	184	210	381	948	148	968	300	889	300	905	368	174	150	154	180
200	184	244	457	1099	197	1118	500	1029	500	1037	424	340	180	203	230
250	227	294	521	1314	248	1334	500	-	500	1260	492	500	280	-	350
300	259	330	616	1485	298	1502	-	-	500	1451	492	650	375	-	480
350	260	378	699	1648	330	1686	-	-	600	1626	492	-	578	-	650
400	279	400	762	1910	381	1968	-	-	600	1800	559	-	800	-	880
450	321	450	800	-	*	*	-	-	-	*	*	-	950	-	-
500	368	500	890	-	*	*	-	-	-	*	*	-	1320	-	-
600	368	590	950	-	*	*	-	-	-	*	*	-	2500	-	-
650	368	620	1100	-	*	*	-	-	-	*	-	-	2750	-	-
750	413	683	1359	-	3185	3185	-	-	-	-	-	-	3000	-	-
900	470	787	1575	-	3797	3797	-	-	-	-	-	-	3800	-	-



The KLEP Pinch valve consists of a tough, but flexible full bore sleeve, which forms part of the pipeline. The valve is closed mechanically via movement of the pinch bars located on opposite sides of the sleeve. The core of the KLEP Pinch valve is the sleeve. The sleeve is reinforced with a high-strength fabric.

The valves are well suited for on/off throttling applications where scale build up is a problem.

## Product Specifications:

Size Range:	2" - 24" (50mm - 600mm)
Valve Type:	Pinch valve open frame
Body:	Flanged, fabricated steel
Temperature Range:	80°C
Pressure Rating:	Up to 240 psi (16 bar)
Sleeve Material:	Gum Rubber, EPDM, Neoprene, Nitrile, Butyl, Viton, Hypalon, Polyurethane.
Pinch Bars:	Carbon steel
Pinch Bar Guides:	304 Stainless Steel
Duty:	Abrasive applications
Hydro-Static Test	1.5 Times the rated pressure

## Features:

- Low-cost pinch valve design.
- Seals in both directions.
- No blocking or leakage.
- Open frame design is light weight, adaptable and economical.
- Epoxy coated.
- Fabricated steel frame.
- Robust construction.
- Rising spindle with dust cover.
- Bellows.
- Easy maintenance.
- Full bore.
- No packing to maintain.
- Sleeve is only wetted part.
- Face-to-face compatible with diaphragm valves.
- Sleeves are easily replaced.
- Sleeves are available in a variety of materials.
- Centre pinch operation.
- All types of actuators.



**Product code: OM-PV-(SIZE)-O/F-N-10BAR-H**

# PINCH VALVE OPEN FRAME

## How the Valve Works

In the closed position, the upper and low bars compress the sleeve to form a bubble tight seal, even on entrapped debris. Because of the KLEP Open frame design, the open/closed position of the valve can be viewed by sight. The valve can be used to throttle the flow.

## Applications

The valve is suited for mining and mineral processing, power generation, sand/gravel, chemical & soda ash, pulp & paper, environmental, effluent, dry feeds & powders.

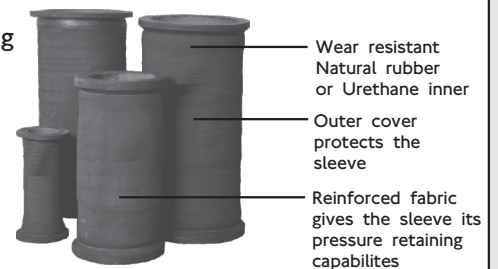
## Actuators

All types of actuators can be fitted; electric, gearbox, hydraulic, pneumatic and handwheel.

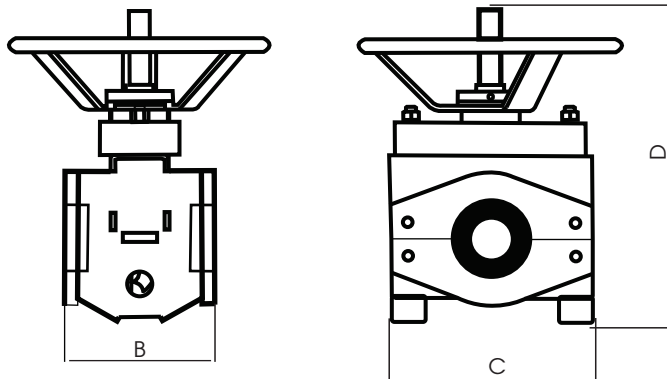
## Sleeve material

KLEP offers the following alternative sleeve materials, providing chemical and abrasive resistance to most media such as:

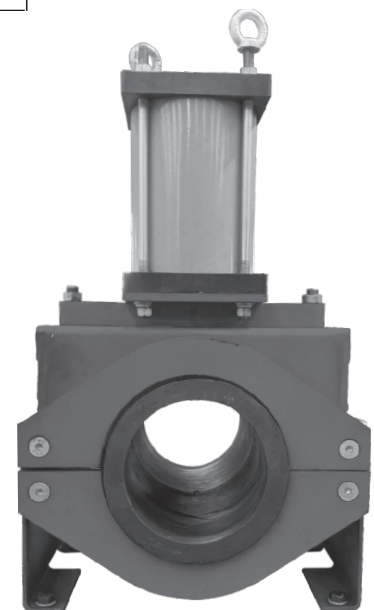
- Red rubber
- Natural black rubber
- Neoprene rubber
- Nitrile rubber
- EPDM rubber



## Dimensions & Weights



Valve Size	A/B F/F	C	D	E	SABS F/F
50	170	240	375	300	191
80	220	290	480	300	254
100	250	320	520	400	305
150	255	400	630	400	406
200	400	420	630	450	521
250	500	500	770	450	635
300	600	600	900	600	749
350	685	700	1070	600	980
400	785	800	1230	600	-
450	880	900	1430	700	-
500	980	1000	1560	700	-
600	1180	1100	1690	700	-



Dimensions and weights are for guidance only - detailed dimension drawings available on request. All dimensions are in millimetres, unless stated.



# BRINGING THE WORLD'S BEST BRANDS TO YOU

In the bid to procure cutting-edge components at competitive prices, BMG is able to capitalise on long-standing relationships with leading manufacturers dedicated to excellence in design and production.

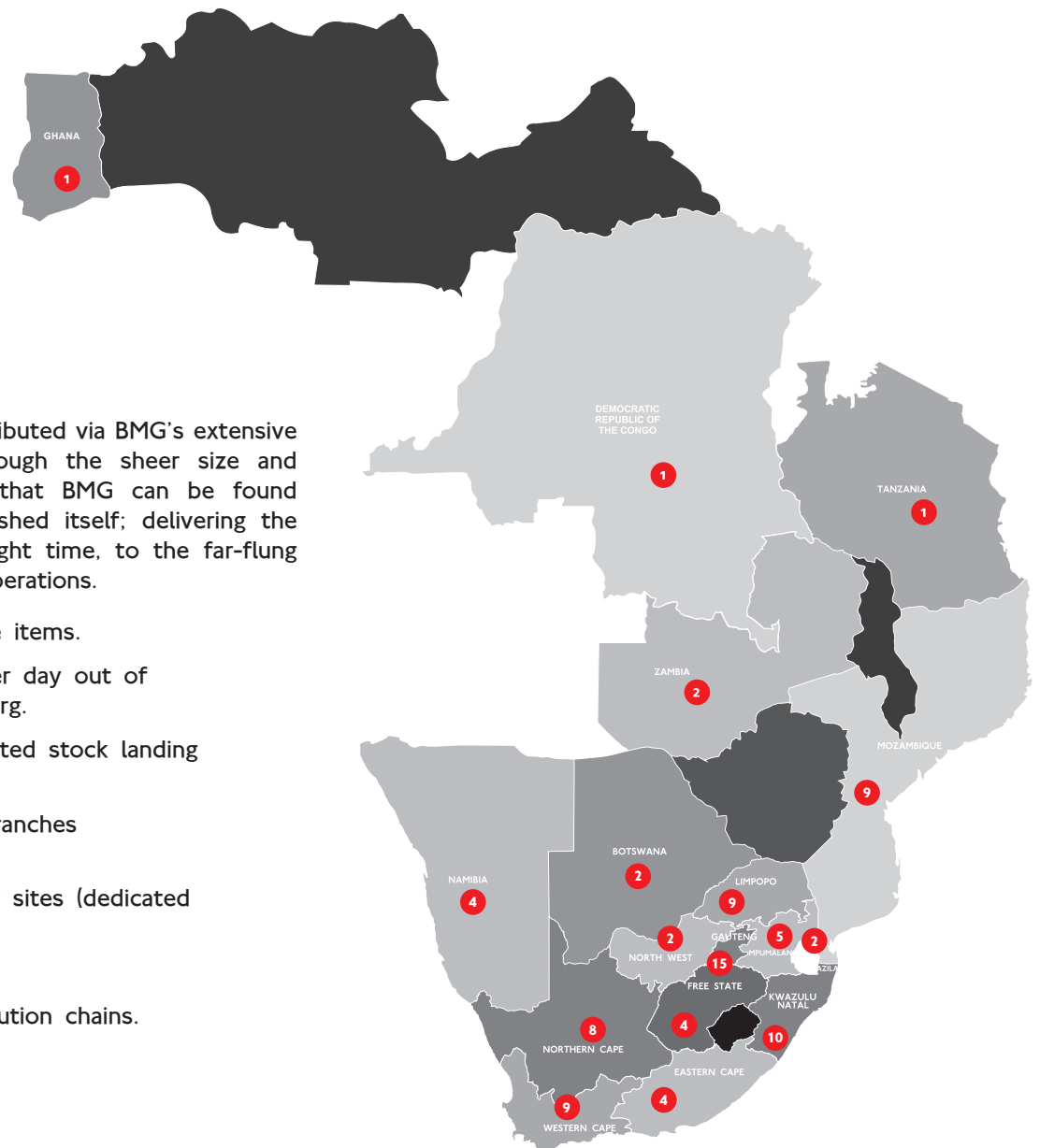
Products are imported from around the globe and brought to BMG's strategically located distribution facilities and regional service centres via the main distribution hub in Johannesburg - BMG World. A world-class facility boasting 308 000m<sup>3</sup> of fully stocked warehouse space, an accredited training facility and unlimited engineering capabilities.

## Our Extensive Coverage Throughout Africa

**88**  
BRANCHES

Products and services are distributed via BMG's extensive distribution network. It's through the sheer size and reach of our infrastructure, that BMG can be found wherever industry has established itself; delivering the correct components at the right time, to the far-flung coalface of our customers' operations.

- Over 300 000 product line items.
- Around 4 500 transfers per day out of BMG World in Johannesburg.
- Over 1 000 tons of imported stock landing per month.
- 88 strategically situated branches throughout Africa.
- Vendor Managed Inventory sites (dedicated on-site stockholding).
- International exports.
- Locally empowered distribution chains.





24 HR TOLL-FREE EMERGENCY  
BRANCH HELPLINE:

**0800 022 224**

WEBSITE:

**[www.bmgworld.net](http://www.bmgworld.net)**



An Invieta Holdings Group Company

BEARINGS • SEALS • POWER TRANSMISSION • DRIVES & MOTORS  
MATERIALS HANDLING • TOOLS & FASTENERS • HYDRAULICS  
FILTRATION • LUBRICATION • FIELD SERVICE