



# AGRICULTURAL PRODUCT

## Catalogue

Edition 4



**B-BBEE 2**  
EMPOWERING SUPPLIER

ISO 9001	Certified
ISO 14001	Certified
ISO 45001	Certified

# ABOUT US

Established in 1974 as a single bearing shop in Durban, South Africa; BMG's aggressive growth strategy has included acquisitions, supplemented by a steady organic growth discipline. BMG attracts best-of-breed talent resulting in technical expertise that differentiates BMG in the industry. Staff are truly part of the BMG family and its success.

BMG boasts an accredited in-house technical and commercial training academy which fosters a culture of staff development and career advancement; it's all about sustainability.

The net result, is a company that reliably supplies and supports 70 000 customers in 9 countries with the widest range of industrial engineered products and expert services in Africa via 88 branches.

BMG is positioned to deliver bespoke 360 degree solutions to its customers, and subsequently return on investment to its investors and shareholders. BMG plays a pivotal role in supporting the productivity and production targets of all Industrial, Manufacturing, Mining and Agricultural sectors of the economies in the countries it serves. With an enviable reputation as Africa's largest distributor, manufacturer and service provider of the highest quality engineering consumables and components; including

- Bearings & Seals
- Power Transmission Components
- Drives, Motors and Controllers
- Hydraulics, Pneumatics and Filtration
- Heavy and Light Duty Materials Handling
- Valves and Lubrication
- Fasteners, Gaskets and Tools

BMG is a level 2 BEE contributor with ISO 9001 Quality Assurance certification. Health and safety of its employees and customers is a paramount focus and the company adheres to ISO 45001. BMG is also committed to environmental care and sustainability and strictly follows the ISO 14001 charter.

As a key contributor to the Invicta Holdings stable, BMG has played a major part in Invicta's unique achievement of being rated in South Africa's Top 100 Companies for 21 consecutive years.



# LINKAGE PARTS

## CONTENTS

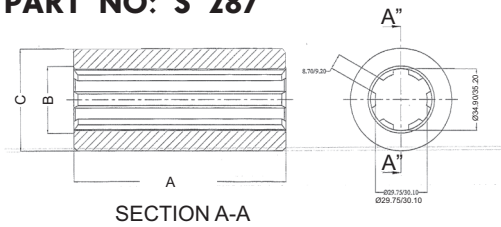
Adaptors	44-45
Grip Clips & Linch Pins	46
Top Link Pins & Implement Mounting Pins	47
Implement Pins	48
Hitch Pins & Conversion Bushes	49
Top Link Ball Ends & Lower Link Ball Ends	50
Top Links	51
Check Chain Assembly	52



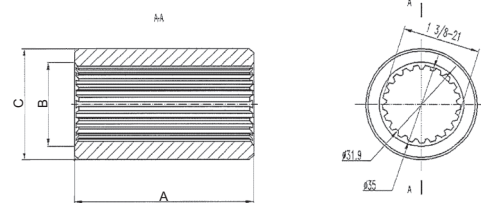


PART NO:	SPLINE	A mm	B mm	C mm
S 287	6 SPLINE	80	38	5
AFTAD120.6SP	6 SPLINE	120	38	49
AFTAD120.20SP	20 SPLINE	120	49	65
AFTAD120.21SP	21 SPLINE	120	38	59
S 279	6 SPLINE	230	34.6	70

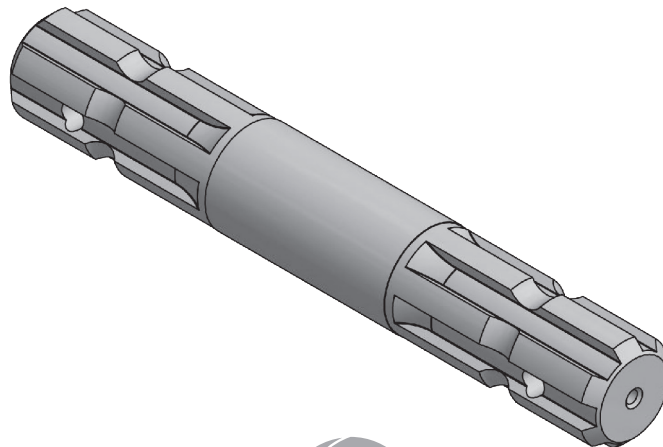
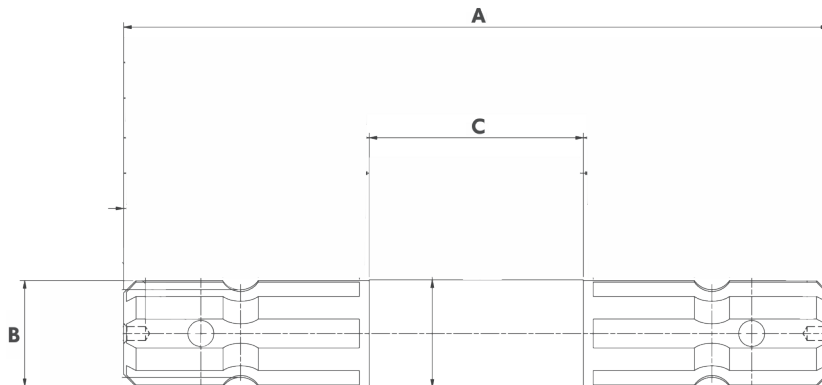
**PART NO: S 287**



**PART NO: AFTAD120.21SP**



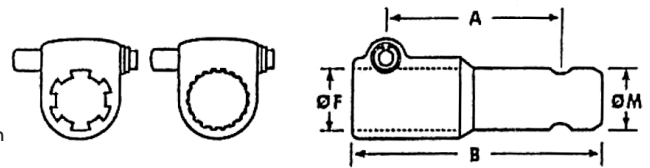
**PART NO: S 279 (1 3/8" 6 SPLINE)**





## Quick Release Type

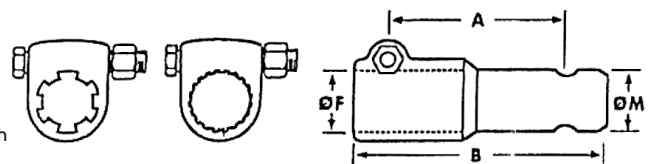
Standard Adaptors: Bright Zinc Plate and Gold Passivated finish  
Heavy Duty Adaptors: Silver Finish



Female Spline		Male Spline		Increases P.T.O. Shaft Length by		Overall Length		Quick Release Type Part Number	
Ø F		Ø M		INS	A mm	INS	B mm	STANDARD UP TO 70 h.p	HEAVY DUTY OVER 70 h.p
1.3/8" (34.92mm)	x 6	1.3/8"	x 6	4.5/16"	110	6.1/2"	165	S 3737	-
		1.3/8"	x 21	4.3/4"	121			S 3738	S.15903
1.3/8" (34.92mm)	x 21	1.3/8"	x 6	4.5/16"	110			S 3739	-
		1.3/8"	x 21	4.3/4"	121			S 3740	S.15907
		1.1/8"	x 6	5.1/8"	130			S 15727	-
1.1/8" (28.5mm)	x 6	1.3/8"	x 6	4.5/16"	110			6.1/2"	165
		1.3/8"	x 21	4.3/4"	121	S 15725	-		
1.3/4" (44.45mm)	x 20	1.3/8"	x 21	5.1/2"	140	7.7/8"	200	-	S.16246
		1.3/8"	x 6	5.1/2"	140			-	S.16247
1" (25mm)	x 18	1.3/8"	x 6				132	S 15023	

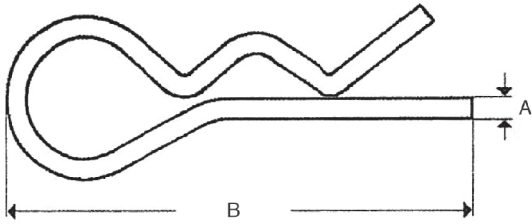
## Bolt Type

Standard Adaptors: Bright Zinc Plate and Gold Passivated finish  
Heavy Duty Adaptors: Silver Finish

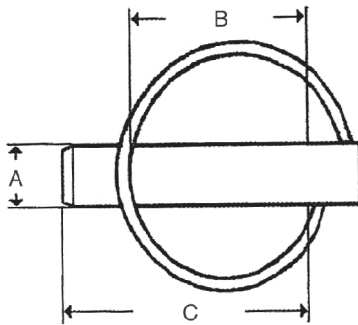


Female Spline		Male Spline		Increases P.T.O. Shaft Length by		Overall Length		Quick Release Type Part Number	
Ø F		Ø M		INS	A mm	INS	B mm	STANDARD UP TO 70 h.p	HEAVY DUTY OVER 70 h.p
1.3/8" (34.92mm)	x 6	1.3/8"	x 6	4.5/16"	110	6.1/2"	165	S.3741	S.15902
		1.3/8"	x 21	4.3/4"	121			S.3742	S.15904
		1.1/8"	x 6	5.1/8"	130			S.15724	-
1.3/8" (34.92mm)	x 21	1.3/8"	x 6	4.5/16"	110			S.3743	S.15866
		1.3/8"	x 21	4.3/4"	121			S.3744	S.15908
		1.1/8"	x 6	5.1/8"	130			S.15728	-
1.1/8" (28.5mm)	x 6	1.3/8"	x 6	4.5/16"	110	6.1/2"	165	S.15721	-
		1.3/8"	x 21	4.3/4"	121			S.15726	-
		1.1/8"	x 6	5.1/8"	130			S.15723	-
1.3/4" (44.45mm)	x 6	1.3/8"	x 21	5.1/2"	140	7.7/8"	200	-	S.16248
		1.3/8"	x 6	5"	127			-	S.16249
	x 20	1.3/8"	x 21	5.1/2"	140			-	S.16250
		1.3/8"	x 6	5"	127			-	S.16251
25mm	HEX	HEX	25	-	-	-	-	-	

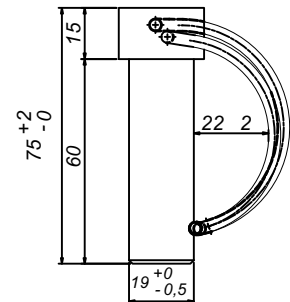
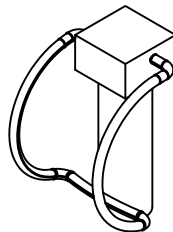
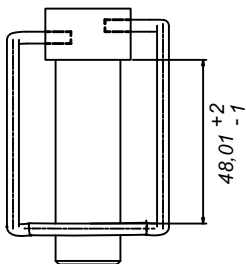
# GRIP CLIPS & LINCH PINS



PART NUMBER	A		PIN SIZE		B	
	in	mm	in	mm	in	mm
S 8	5/64	2	1/4 - 7/16	6 - 11	1 5/8	42
S 9	3/32	2.5	5/16 - 1/2	8 - 12	1 11/16	43
S 10	1/8	3	3/8 - 11/16	10 - 18	2 1/2	64
S 11	5/32	4	1/2 - 7/8	12 - 22	3	76
S 12	11/64	4.5	3/8 - 11/16	10 - 18	4 1/8	105
S 13	13/64	5	5/8 - 11/16	16 - 27	4	100
S 14	1/4	6	3/4 - 1 1/4	19 - 32	4 1/2	113
S 15	9/32	7	1 - 1 1/4	25 - 38	6	152



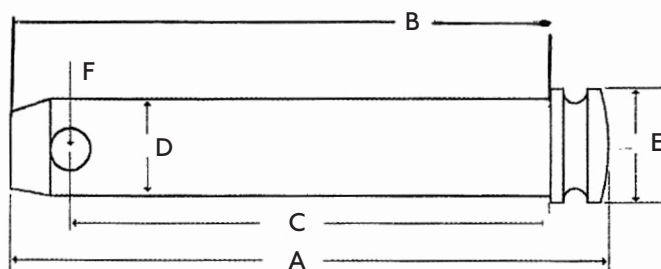
PART NUMBER	A		B		C	
	in	mm	in	mm	in	mm
S 37	1/4	6	1 1/16	36.5	1 3/4	44.5
S 38	5/16	8	1 7/16	36.5	1 3/4	44.5
S 36	3/8	9	1 7/16	36.5	1 3/4	44.5
S 32	7/16	10.5	1 12/32	36	1 3/4	44.5
S 39	28/64	11	1 13/32	36	1 3/4	44.5



**PART NO: S 11637**

**BOER  
SLIM**

# TOP LINK PINS & IMPLEMENT MOUNTING PINS



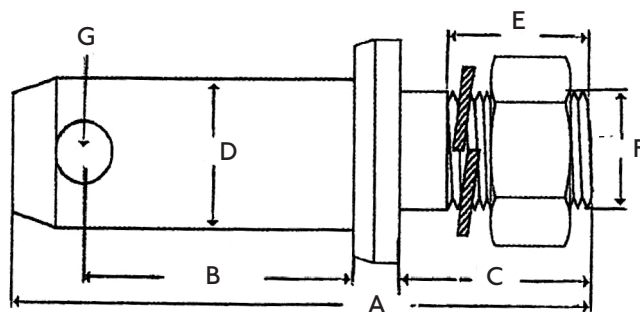
## Top Link Pins

### Cat 1

Part No.	A	B	C	D	E	F
S 73	113.0	95.0	76.0	19.0	22.0	11.9
S 74	138.0	121.0	102.0	19.0	22.0	11.9
S 75	127.0	110.0	92.0	19.0	22.0	11.9
S 77	164.0	146.0	127.0	19.0	22.0	11.9

### Cat 2

Part No.	A	B	C	D	E	F
S 69	140.0	121.0	102.0	25.4	28.0	11.9
S 76	135.0	116.0	97.0	25.4	28.0	11.9
S 79	121.0	102.0	83.0	25.4	28.0	11.9
S 80	180.0	161.0	142.0	25.4	28.0	11.9
S 81	148.0	129.0	110.0	25.4	28.0	11.9

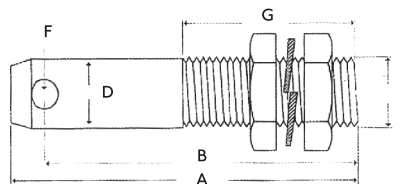
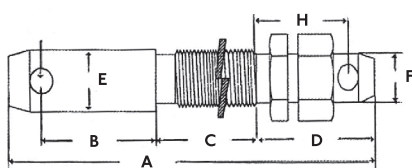


Part No.	A	B	C	D	E	F	G
S 196	142.0	50.0	60.32	28.57	36.5	19.0	11.9
S 197	140.22	63.32	60.32	28.57	53.97	19.0	11.9
S 198	139.7	50.80	53.93	22.22	48.0	19.0	11.9
S 199	139.7	50.80	53.97	22.22	42.86	15.9 Unf	11.9
S 200	139.7	50.80	53.97	22.22	39.67	22.22	11.9
S 201	146.05	50.80	60.32	22.22	38.1	22.0	11.9
S 202	136.52	60.32	47.62	28.57	35.0	22.0	11.9
S 203	149.22	60.32	60.32	28.57	38.1	22.0	11.9
S 3005	150.0	54.0	64.0	36.0	48.0	28.0	11.9
S 3006	159.0	57.0	76.0	28.57	60.0	28.57	11.9
S 5190	146.0	50.8	60.32	22.22	50.8	25.4	11.9
S 5191	150.0	60.3	60.3	28.57	50.8	25.0	11.9

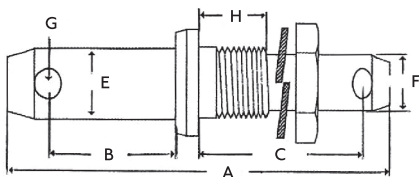


# IMPLEMENT PINS

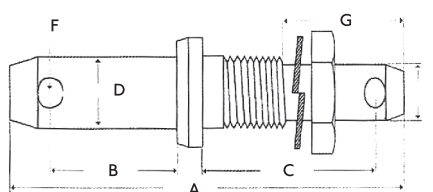
PART NO:	A	B	C	D	E	F	G	H
S 205	203.2	60.32	57.15	68.26	28.57	22.22	11.9	50.8
S 206	196.85	61.91	88.9	-	28.57	22.22	11.9	38.1
S 211	134.93	115.88	-	22.22	22.22	11.9	69.84	-
S 212	152.4	142.87	-	28.57	28.57	11.9	76.2	-
S 213	190.5	61.91	84.14	28.57	22.22	11.9	52.38	-



S206



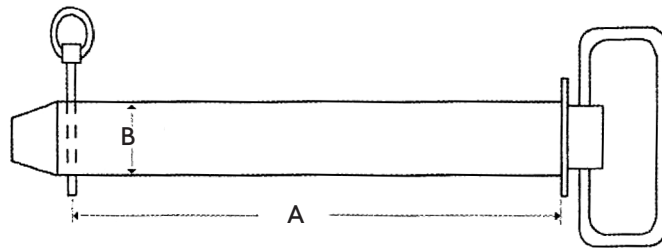
S213



PART NO:	PIN SIZES:	TOW WEIGHT:
S 3340	19 mm	500 kg
S 3341	22 mm	1250 kg
S 3342	25 mm	2000 kg

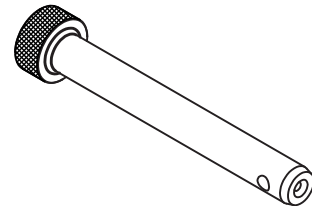
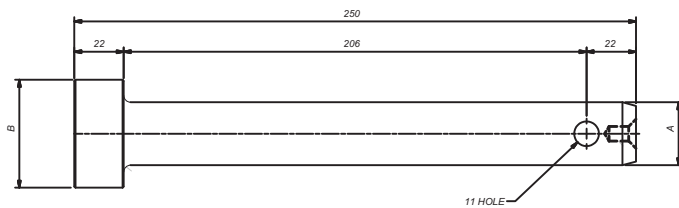


# HITCH PINS & CONVERSION BUSHES

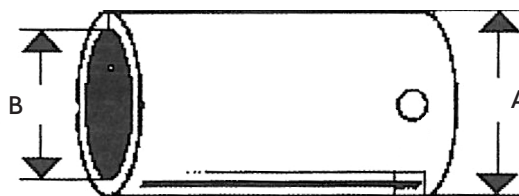


PART NUMBER	A	B
S 404	157,0	19,05
S 405	157,0	22,22
S 408	98,0	19,05
S 410	157,0	25,0
S 412	183,0	28,0
S 415	183,0	32,0

## HEAVY DUTY PIN

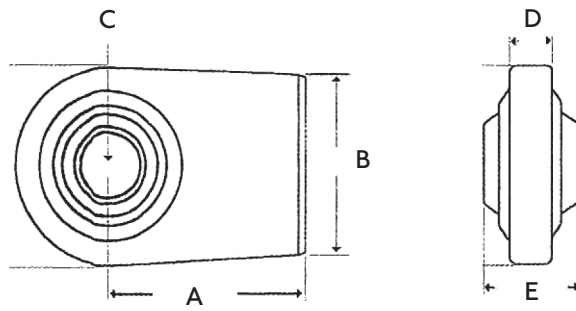


PART NUMBER	A	B
S 116	∅ 28	∅ 48
S 117	∅ 30	∅ 50
S 118	∅ 32	∅ 52
S 119	∅ 35	∅ 55
S 120	∅ 38	∅ 58



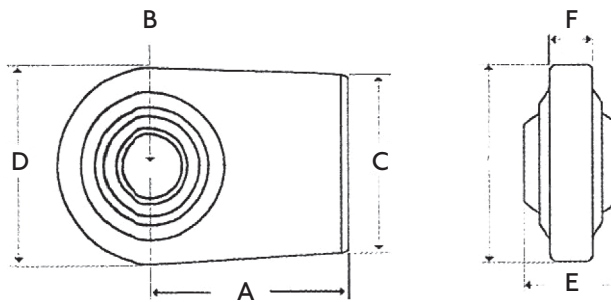
NO.	CAT	LINK	B mm	A mm
S 3008	2/3	Top	25	32
s 3009	2/3	Lower	28.57	36.5
S 3010	2/3	Lower	28.57	36.5

# TOP LINK BALL ENDS & LOWER LINK BALL ENDS



(Weld on)

Part No.	A	B	C	D	E
S 310	50.8	28.5	19.0	12.0	44.5
S 311	60.0	28.5	25.0	16.0	50.8
S 1334	55.0	25.0	19.0	12.0	44.5
S 4216	85.0	36.0	32.0	22.0	50.8



Part No.	A	B	C	D	E	F
S 1338	70.0	22.22	60.0	66.0	35.0	16.0
S 1340	80.0	25.40	70.0	82.5	38.0	19.0
S 1342	80.0	28.50	70.0	82.0	38.0	19.0
S 3373	80.0	22.22	70.0	92.0	35.0	19.0
S 3374	80.0	28.50	70.0	92.0	35.0	19.0

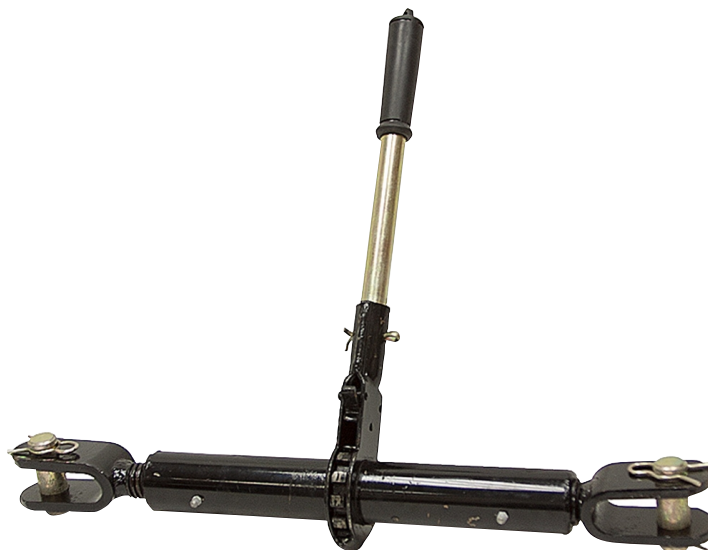
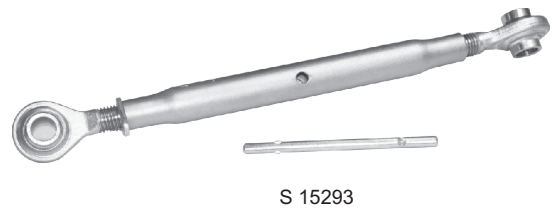
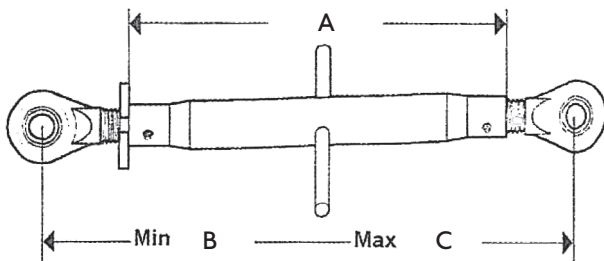
\*Heavy-duty



**BOER**  
SLIM



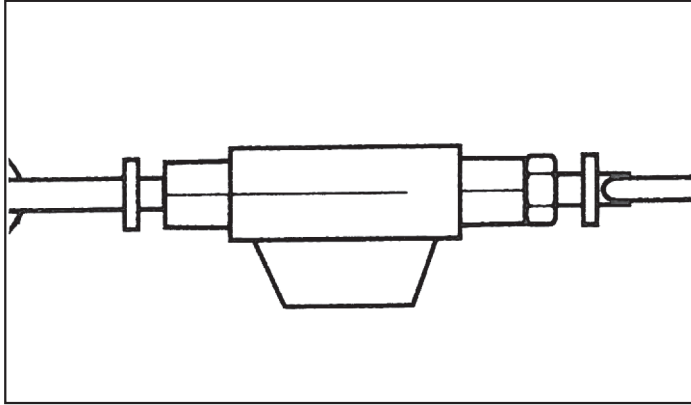
Load Ratings	Part No.	A	B	C	D	E	Cat
6 Ton	S 306	288.0	400.0	610.0	19.0	197.0	1&1
6 Ton	S 312	405.0	520.0	724.0	19.0	197.0	1&1
6 Ton	S 314	405.0	546.0	806.0	25.0	247.0	2&2
6 Ton	S 315	-	527.0	737.0	25/19	197.0	1&2
6 Ton	S 316	508.0	620.0	838.0	19.0	197.0	1&1
6 Ton	S 318	510.0	648.0	908.0	25.0	247.0	2&2
6 Ton	S 319	510.0	616.0	838.0	25/19	197/247	1&2
6 Ton	S 364	-	508.0	768.0	25.0	247.0	2&2
6 Ton	S 479	-	446.0	654.0	19.0	-	1&1
7.5 Ton	S 3474	483.0	648.0	902.0	25.0	-	2&2
7.5 Ton	S 3630	-	616.0	794.0	25/19	-	1&2
7 Ton	S 3631	-	616.0	794.0	25.0	-	2&2
9.5 Ton	S 4603	483.0	648.0	927.0	32.0	-	3&3
-	S 16073 HD	-	525.0	815.0	25.0	-	2
-	S 16074 HD	-	620.0	905.0	25.0	-	2
	S 15293	330	514	730	25.4	25.4	24.2



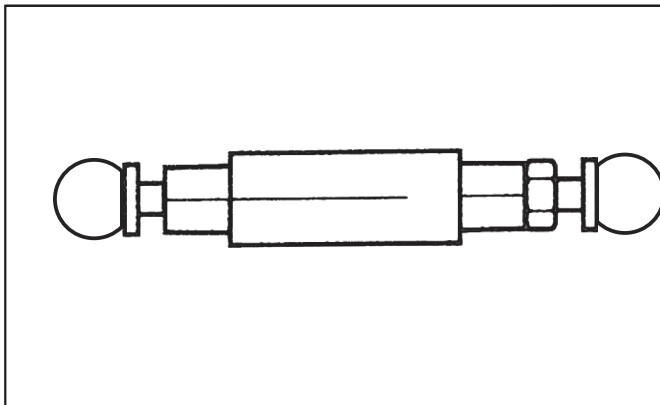
**PART NO: S 15293**



# CHECK CHAIN ASSEMBLY



Ford  
S 11198 is fitted  
with turnbuckle as  
per sample  
Stabilizer

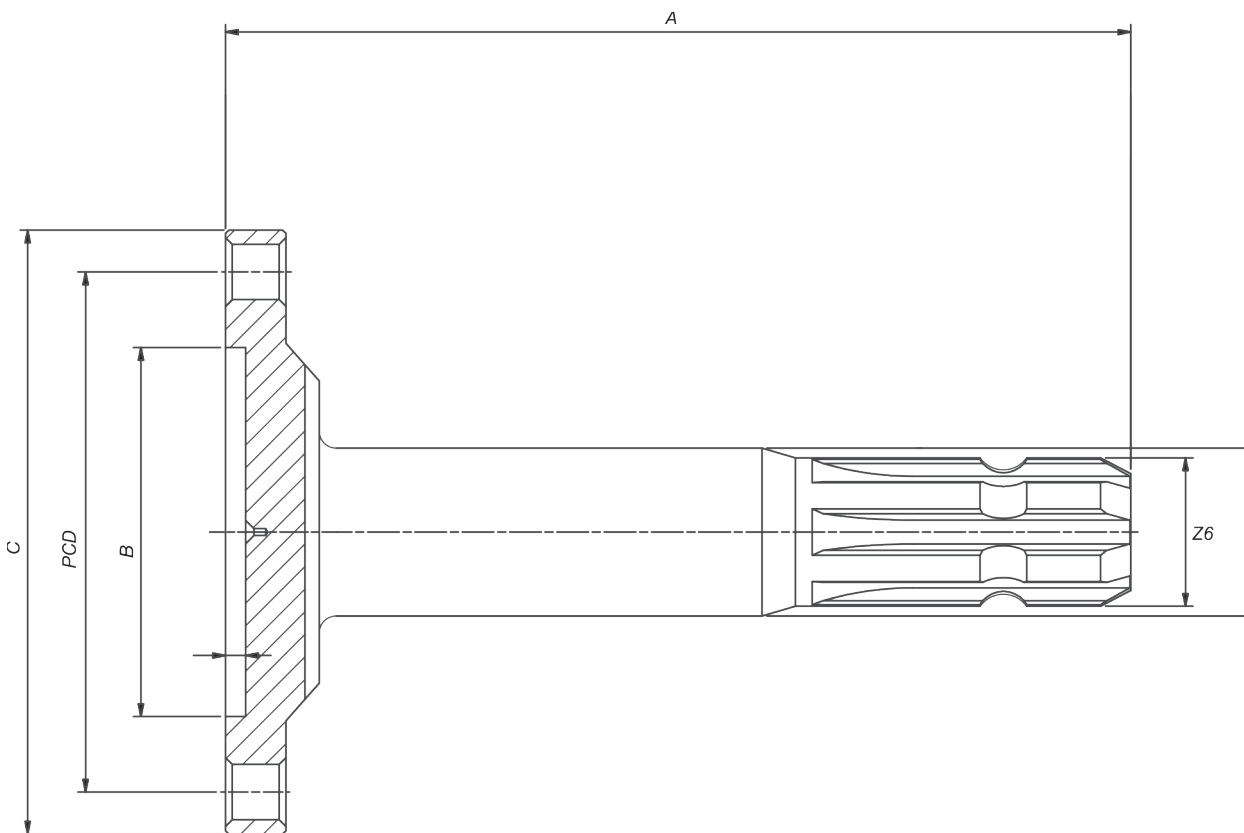
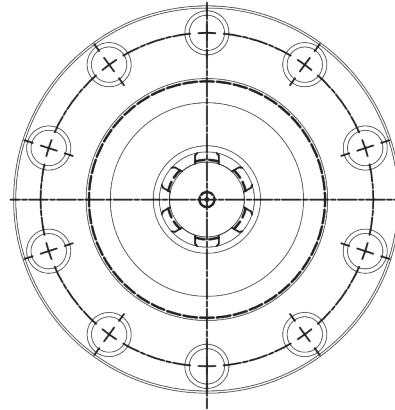
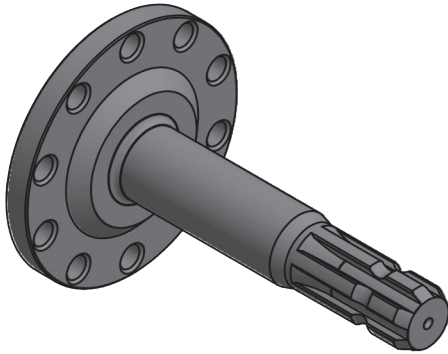


Ford  
S 4457 is fitted  
with turnbuckle as  
per sample  
Stabilizer



# PTO FLANGED SHAFT

PART NO:	A	B	C	PCD	SPLINE (Z6)
AFTPTFL-25-01	270	110	180	155	1 3/8" X 6 SPLINE
AFTPTSFL-25-02	270	110	180	155	1 3/4" X 6 SPLINE





# BRINGING THE WORLD'S BEST BRANDS TO YOU

In the bid to procure cutting-edge components at competitive prices, BMG is able to capitalise on long-standing relationships with leading manufacturers dedicated to excellence in design and production.

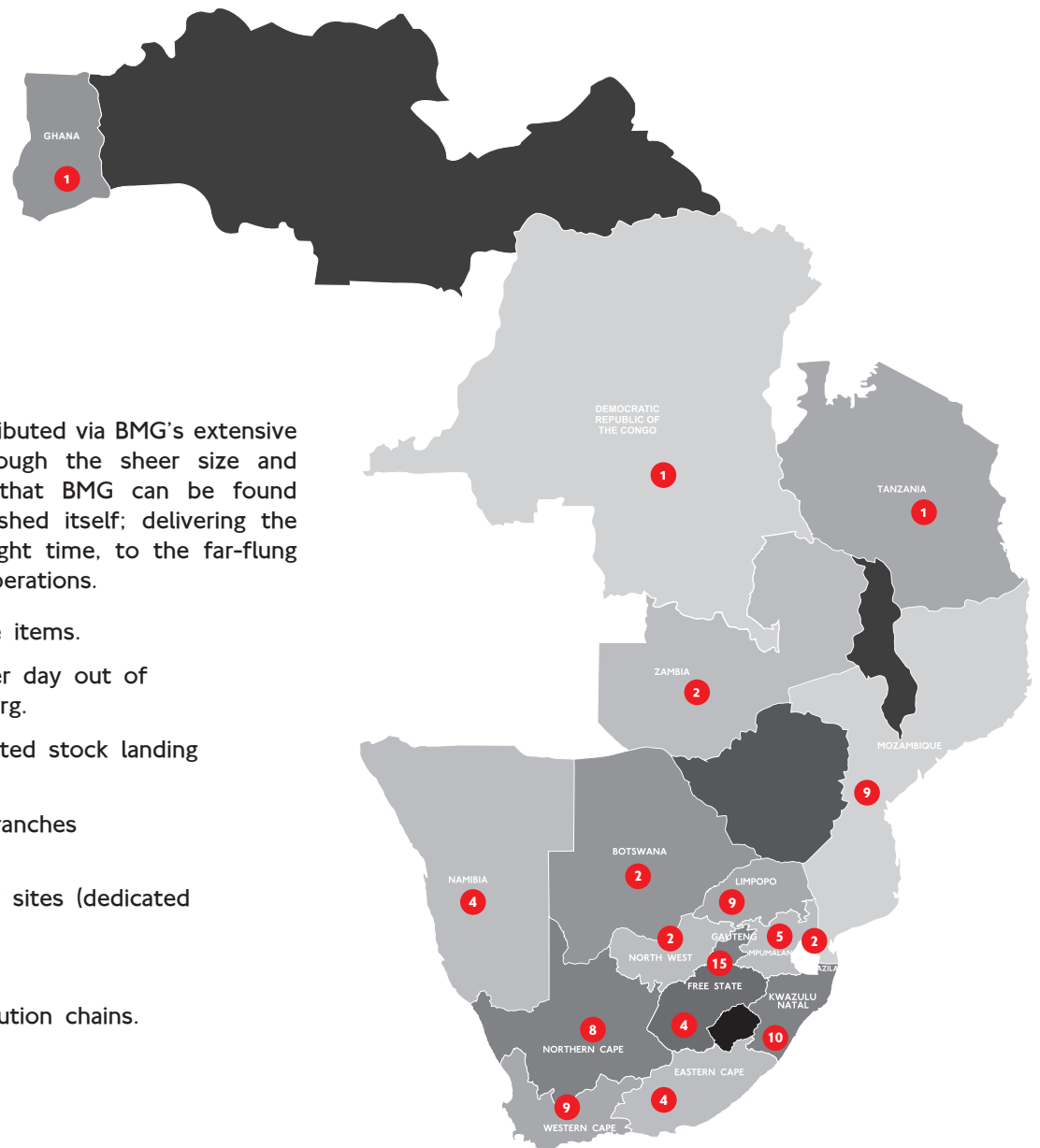
Products are imported from around the globe and brought to BMG's strategically located distribution facilities and regional service centres via the main distribution hub in Johannesburg - BMG World. A world-class facility boasting 308 000m<sup>3</sup> of fully stocked warehouse space, an accredited training facility and unlimited engineering capabilities.

## Our Extensive Coverage Throughout Africa

**88**  
BRANCHES

Products and services are distributed via BMG's extensive distribution network. It's through the sheer size and reach of our infrastructure, that BMG can be found wherever industry has established itself; delivering the correct components at the right time, to the far-flung coalface of our customers' operations.

- Over 300 000 product line items.
- Around 4 500 transfers per day out of BMG World in Johannesburg.
- Over 1 000 tons of imported stock landing per month.
- 88 strategically situated branches throughout Africa.
- Vendor Managed Inventory sites (dedicated on-site stockholding).
- International exports.
- Locally empowered distribution chains.



24 HR TOLL-FREE EMERGENCY  
BRANCH HELPLINE:

**0800 022 224**

WEBSITE:

**[www.bmgworld.net](http://www.bmgworld.net)**



An Invieta Holdings Group Company

BEARINGS • SEALS • POWER TRANSMISSION • DRIVES & MOTORS  
MATERIALS HANDLING • TOOLS & FASTENERS • HYDRAULICS  
FILTRATION • LUBRICATION • FIELD SERVICE