



AGRICULTURAL PRODUCT

Catalogue

Edition 4



B-BBEE 2
EMPOWERING SUPPLIER

ISO 9001	Certified
ISO 14001	Certified
ISO 45001	Certified

ABOUT US

Established in 1974 as a single bearing shop in Durban, South Africa; BMG's aggressive growth strategy has included acquisitions, supplemented by a steady organic growth discipline. BMG attracts best-of-breed talent resulting in technical expertise that differentiates BMG in the industry. Staff are truly part of the BMG family and its success.

BMG boasts an accredited in-house technical and commercial training academy which fosters a culture of staff development and career advancement; it's all about sustainability.

The net result, is a company that reliably supplies and supports 70 000 customers in 9 countries with the widest range of industrial engineered products and expert services in Africa via 88 branches.

BMG is positioned to deliver bespoke 360 degree solutions to its customers, and subsequently return on investment to its investors and shareholders. BMG plays a pivotal role in supporting the productivity and production targets of all Industrial, Manufacturing, Mining and Agricultural sectors of the economies in the countries it serves. With an enviable reputation as Africa's largest distributor, manufacturer and service provider of the highest quality engineering consumables and components; including

- Bearings & Seals
- Power Transmission Components
- Drives, Motors and Controllers
- Hydraulics, Pneumatics and Filtration
- Heavy and Light Duty Materials Handling
- Valves and Lubrication
- Fasteners, Gaskets and Tools

BMG is a level 2 BEE contributor with ISO 9001 Quality Assurance certification. Health and safety of its employees and customers is a paramount focus and the company adheres to ISO 45001. BMG is also committed to environmental care and sustainability and strictly follows the ISO 14001 charter.

As a key contributor to the Invicta Holdings stable, BMG has played a major part in Invicta's unique achievement of being rated in South Africa's Top 100 Companies for 21 consecutive years.



SPROCKETS

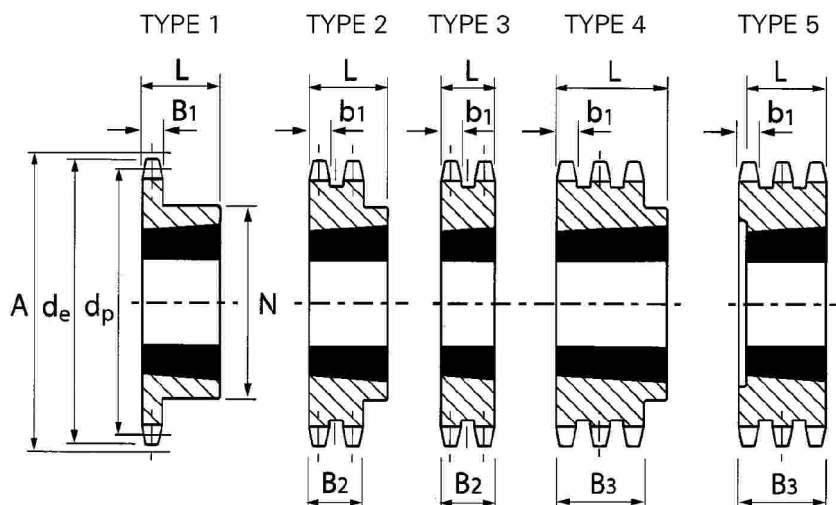
CONTENTS

Taper Lock Sprockets	77-79
Pilot Bore Sprockets	80-83
Platewheel Sprockets	84-85

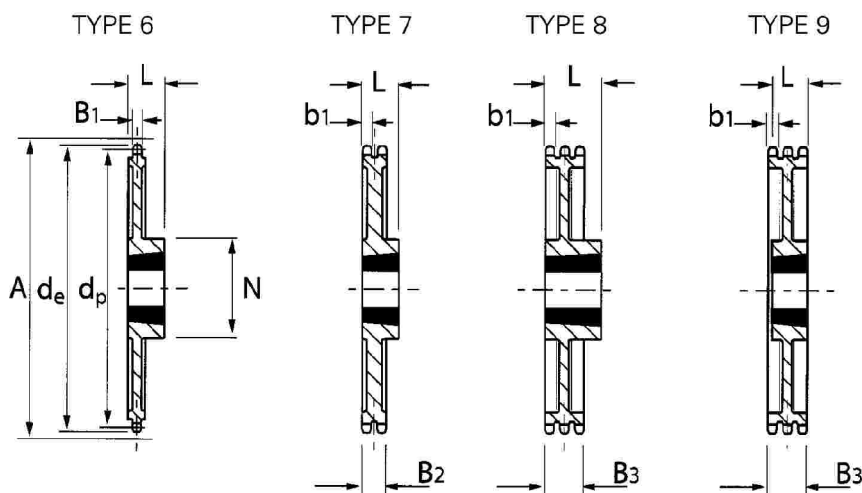
TAPER LOCK SPROCKETS

TAPER LOCK SPROCKETS

STEEL C45



CAST IRON GG25



06B T/L SPROCKET $\frac{3}{8}$ " (9,5mm) PITCH

Tooth Width
 B1 5.3mm
 b1 5.2mm
 B2 15.4mm
 B3 25.6mm

No. of Teeth	Pitch Dia	Outer Dia	Dia Over Chain	Simplex Taper Lock					Duplex Taper Lock					Triplex Taper Lock					
				Designation	Brush No.	Type	Length Bore		Hub Dia	Designation	Brush No.	Type	Length Bore		Designation	Brush No.	Type	Length Bore	
							L mm	N mm					L mm	N mm				L mm	N mm
17	51.84	56	60	31-17	1008	1	22.2	45	32-17	1008	2	22.2	45	33-17	1008	5	25.6		
19	57.86	62	66	31-19	1008	1	22.2	45	32-19	1008	2	22.2	45	33-19	1008	5	25.6		
20	60.89	64	68	31-20	1008	1	22.2	46											
21	63.91	68	72	31-21	1008	1	22.2	46	32-21	1008	2	22.2	49	33-21	1008	5	25.6		
23	69.95	74	78	31-23	1210	1	25.4	63	32-23	1210	2	25.4	59	33-23	1210	5	25.6		
25	76.00	80	84	31-25	1210	1	25.4	63	32-25	1210	2	25.4	65	33-25	1210	5	25.6		
27	82.05	86	90	31-27	1210	1	25.4	63	32-27	1210	2	25.4	70	33-27	1210	5	25.6		
30	91.12	95	99	31-30	1210	1	25.4	63	32-30	1210	2	25.4	75	33-30	1615	4	38.0	79	
38	115.34	119	123	31-38	1210	1	25.4	70	32-38	1610	2	25.4	80	33-38	1615	4	38.0	90	
45	136.55	141	145	31-45	1210	1	25.4	70	32-45	1610	2	25.4	80						
57	172.90	177	181	31-57	1210	6	25.4	83	32-57	1610	7	25.4	80						
76	230.48	234	239	31-76	1210	6	25.4	83	32-76	1610	7	25.4	92						
95	286.08	292	296	31-95	1210	6	25.4	83	32-95	1610	7	25.4	92						

Taper Lock bushes supplied as a separate item.
 * Non functional dimensions may vary slightly.



TAPER LOCK SPROCKETS

08B T/L SPROCKET 1/2" (12,7mm) PITCH

Tooth Width
 B1 7.2mm
 b1 7.0mm
 B2 21.0mm
 B3 34.9mm

No. of Teeth	Pitch Dia	Outer Dia	Dia Over Chain	Simplex Taper Lock					Duplex Taper Lock					Triplex Taper Lock						
				Designation	Brush No.	Type	Length Bore		Hub Dia	Designation	Brush No.	Type	Length Bore		Designation	Brush No.	Type	Length Bore		Hub Dia
							L mm	N mm					L mm	N mm				L mm	N mm	
15	61.09	66	73	41-15	1008	1	22.2	45	42-15	1008	2	22.2	46	43-15	1008	5	34.9			
17	69.11	74	81	41-17	1210	1	25.4	60	42-17	1210	2	25.4	56	43-17	1210	5	34.9			
19	77.17	82	89	41-19	1210	1	25.4	63	42-19	1210	2	25.4	62	43-19	1210	5	34.9			
20	81.19	86	93	41-20	1610	1	25.4	65												
21	85.22	90	97	41-21	1610	1	25.4	71	42-21	1610	2	25.4	70	43-21	1610	5	34.9			
23	93.27	99	106	41-23	1610	1	25.4	76	42-23	1610	2	25.4	79	43-23	1610	5	34.9			
25	101.32	106	113	41-25	1610	1	25.4	76	42-25	2012	2	32.0	87	43-25	2012	5	34.9			
27	109.40	114	121	41-27	1610	1	25.4	76	42-27	2012	2	32.0	87	43-27	2012	5	34.9			
30	121.50	126	133	41-30	2012	1	32.0	90	42-30	2012	2	32.0	87	43-30	2012	5	34.9			
38	153.80	159	166	41-38	2012	1	32.0	90	42-38	2012	2	32.0	100	43-38	2012	5	34.9			
45	182.07	188	195	41-45	2012	1	32.0	100	42-45	2012	2	32.0	100							
57	230.53	236	243	41-57	2012	6	32.0	110	42-57	2012	7	32.0	110							
76	307.31	312	319	41-76	2012	6	32.0	110	42-76	2012	7	32.0	110							
95	384.10	389	396	41-95	2012	6	32.0	110	42-95	2012	7	32.0	110							

Taper Lock bushes supplied as a separate item.
 * Non functional dimensions may vary slightly.

10B T/L SPROCKET 5/8" (15,9mm) PITCH

Tooth Width
 B1 9.1mm
 b1 9.0mm
 B2 25.5mm
 B3 42.1mm

No. of Teeth	Pitch Dia	Outer Dia	Dia Over Chain	Simplex Taper Lock					Duplex Taper Lock					Triplex Taper Lock						
				Designation	Brush No.	Type	Length Bore		Hub Dia	Designation	Brush No.	Type	Length Bore		Designation	Brush No.	Type	Length Bore		Hub Dia
							L mm	N mm					L mm	N mm				L mm	N mm	
13	66.34	73	81	51-13	1008	1	22.2	47												
15	76.35	83	91	51-15	1210	1	25.4	60	52-15	1210	3	25.4		53-15	1210	5	42.1			
17	86.39	93	101	51-17	1610	1	25.4	71	52-17	1610	3	25.4		53-17	1210	5	42.1			
19	96.44	103	111	51-19	1610	1	25.4	75	52-19	1610	3	25.4		53-19	1615	5	42.1			
20	101.49	108	116	51-20	1610	1	25.4	76												
21	106.50	114	122	51-21	1610	1	25.4	76	52-21	1610	3	25.4		53-21	1615	5	42.1			
23	116.59	124	132	51-23	1610	1	25.4	76	52-23	1610	3	25.4		53-23	2012	5	42.1			
25	126.67	134	142	51-25	2012	1	32.0	90	52-25	2012	2	32.0	90	53-25	2517	4	45.0	105		
27	136.75	144	152	51-27	2012	1	32.0	90	52-27	2012	2	32.0	90	53-27	2517	4	45.0	110		
30	151.87	159	167	51-30	2012	1	32.0	90	52-30	2012	2	32.0	90	53-30	2517	4	45.0	120		
38	192.23	200	208	51-38	2012	1	32.0	100												
45	227.58	235	243	51-45	2012	6	32.0	100												
57	288.19	296	304	51-57	2012	6	32.0	110												
76	384.15	392	400	51-76	2012	6	32.0	110												

Taper Lock bushes supplied as a separate item.
 * Non functional dimensions may vary slightly.

12B T/L SPROCKET 3/4" (19,0mm) PITCH

Tooth Width
 B1 11.1mm
 b1 10.8mm
 B2 30.3mm
 B3 49.8mm

No. of Teeth	Pitch Dia	Outer Dia	Dia Over Chain	Simplex Taper Lock					Duplex Taper Lock					Triplex Taper Lock							
				Designation	Brush No.	Type	Length Bore		Hub Dia	Designation	Brush No.	Type	Length Bore		Hub Dia	Designation	Brush No.	Type	Length Bore		Hub Dia
							L mm	N mm					L mm	N mm					L mm	N mm	
13	79.60	88	96	61-13	1210	1	25.4	60	62-15	1610	3	25.4		63-15	1615	5	49.8				
15	91.62	100	108	61-15	1610	1	25.4	70	62-17	1610	3	25.4		63-17	2012	5	49.8				
17	103.68	112	120	61-17	1610	1	25.4	76	62-19	2012	2	32.0	90	63-19	2012	5	49.8				
19	115.75	124	132	61-19	2012	1	32.0	90													
20	121.78	130	138	61-20	2012	1	32.0	95													
21	127.81	136	144	61-21	2517	1	44.5	102	62-21	2517	2	44.5	108	63-21	2517	5	49.8				
23	139.90	149	157	61-23	2517	1	44.5	108	62-23	2517	2	44.5	108	63-23	2517	5	49.8				
25	151.99	160	168	61-25	2517	1	44.5	108	62-25	2517	2	44.5	130	63-25	2517	5	49.8				
27	164.09	172	180	61-27	2517	1	44.5	108	62-27	2517	2	44.5	130	63-26	3020	4	50.8	140			
30	182.25	191	197	61-30	2517	1	44.5	108	62-30	2517	2	44.5	130	63-30	3020	4	50.8	140			
38	230.68	239	247	61-38	2517	1	44.5	108	62-38	3020	2	50.8	140	63-38	3020	4	50.8	140			
45	273.10	283	291	61-45	2517	6	44.5	108	62-45	3020	7	50.8	140	63-45	3020	4	50.8	140			
57	345.82	355	363	61-57	2517	6	44.5	124	62-57	3020	7	50.8	160	63-57	3020	8	50.8	150			
76	460.98	470	478	61-76	2517	6	44.5	124	62-76	3020	7	50.8	160	63-76	3020	8	50.8	160			
95	576.17	585	593	61-95	2517	6	44.5	124	62-95	3020	7	50.8	160								

Taper Lock bushes supplied as a separate item.
 * Non functional dimensions may vary slightly.

16B T/L SPROCKET 1" (25,4mm) PITCH

Tooth Width
 B1 16.2mm
 b1 15.8mm
 B2 47.7mm
 B3 79.6mm

No. of Teeth	Pitch Dia	Outer Dia	Dia Over Chain	Simplex Taper Lock					Duplex Taper Lock					Triplex Taper Lock							
				Designation	Brush No.	Type	Length Bore		Hub Dia	Designation	Brush No.	Type	Length Bore		Hub Dia	Designation	Brush No.	Type	Length Bore		Hub Dia
							L mm	N mm					L mm	N mm					L mm	N mm	
13	106.15	117	127	81-13	1615	1	38.1	73													
15	122.17	133	143	81-15	1615	1	38.1	76	82-15	2012	3	32.0									
17	138.23	149	159	81-17	2012	1	32.0	90	82-17	2517	3	44.5		83-17	2517	5	76.2				
19	154.33	165	175	81-19	2517	1	44.5	108	82-19	2517	3	44.5		83-19	3030	5	76.2				
20	162.38	173	183	81-20	2517	1	44.5	108	82-20	2517	3	44.5									
21	170.43	181	191	81-21	2517	1	44.5	110	82-21	3020	2	50.8	140	83-21	3030	5	76.2				
23	186.54	198	208	81-23	2517	1	44.5	110	82-23	3020	2	50.8	140	83-23	3525	5	89.0				
25	202.67	214	224	81-25	2517	1	44.5	110	82-25	3020	2	50.8	140	83-25	3525	5	89.0				
27	218.79	230	240	81-27	2517	1	44.5	110	82-27	3020	2	50.8	140	83-27	3525	5	89.0				
30	243.00	254	264	81-30	3020	1	50.8	140	82-30	3020	2	76.2	140	83-30	3525	5	89.0				
38	307.59	321	331	81-38	3020	6	50.8	140	82-38	3020	7	76.2	140	83-38	3525	9	89.0	175			
45	364.13	377	387	81-45	3020	6	50.8	140	82-45	3020	7	76.2	140	83-45	4030	9	102.0	215			
57	461.09	474	484	81-57	3020	6	50.8	157	82-57	3525	7	89.0	175	83-57	4030	9	102.0	215			
76	614.63	627	637	81-76	3020	6	50.8	157	82-76	3525	7	89.0	175	83-76	4030	9	102.0	215			

Taper Lock bushes supplied as a separate item.
 * Non functional dimensions may vary slightly.

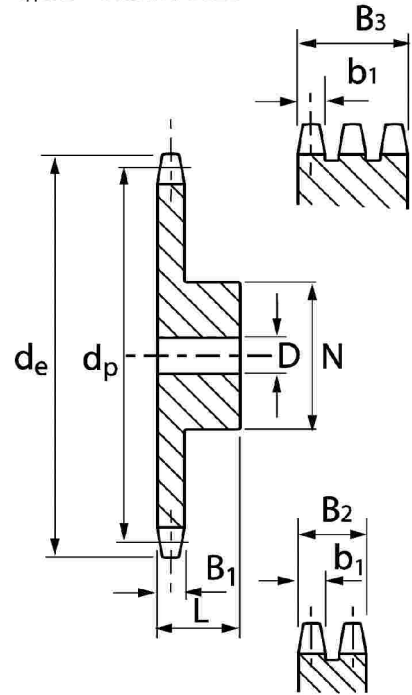
PILOT BORE SPROCKETS

05B PILOT BORED SPROCKET 8 X 3mm PITCH

No. of Teeth	Pitch Dia	Outer Dia	Simplex				Duplex			
			Hub Dia	Length bore	Stock bore	Type	Hub Dia	Length bore	Stock bore	Type
			N	L	D		N	L	D	
8	20.90	24.00	13	12	6	A	13	18	8	A
9	23.39	26.60	15	12	6	A	15	18	8	A
10	25.89	29.20	17	12	8	A	17	18	8	A
11	28.39	31.70	18	13	8	A	19	18	8	A
12	30.91	34.20	20	13	8	A	21	18	8	A
13	33.42	36.70	23	13	8	A	24	18	8	A
14	35.95	39.20	25	13	8	A	26	18	8	A
15	38.48	41.70	28	13	8	A	29	18	8	A
16	41.01	44.30	30	14	8	A	32	20	10	A
17	43.53	46.80	30	14	8	A	34	20	10	A
18	46.07	49.30	30	14	8	A	37	20	10	A
19	48.61	51.90	30	14	8	A	39	20	10	A
20	51.14	54.40	30	14	8	A	40	20	10	A
21	53.68	57.00	35	14	8	A	40	20	10	A
22	56.21	59.50	35	14	8	A	40	20	10	A
23	58.75	62.00	35	14	8	A	40	20	10	A
24	61.29	64.60	35	14	8	A	40	20	10	A
25	63.83	67.50	35	14	8	A	40	20	10	A
26	66.37	69.50	40	16	10	A	50	22	12	A
27	68.91	72.20	40	16	10	A	50	22	12	A
28	71.45	74.80	40	16	10	A	50	22	12	A
29	73.99	77.30	40	16	10	A	50	22	12	A
30	76.53	79.80	40	16	10	A	50	22	12	A
31	79.08	82.40	40	16	10	A	60	22	12	A
32	81.61	84.90	40	16	10	A	60	22	12	A
33	84.16	87.50	40	16	10	A	60	22	12	A
34	86.70	90.00	40	16	10	A	60	22	12	A
35	89.25	92.50	40	16	10	A	60	22	12	A
36	91.79	95.00	40	16	10	A	60	22	12	A
37	94.33	97.60	40	16	10	A	60	22	12	A
38	96.88	100.20	40	16	10	A	60	22	12	A
39	99.42	102.70	40	16	10	A	60	22	12	A
40	101.97	105.30	40	16	10	A	60	22	12	A
45	114.69	118.00	58	20	10	A	78	38	12	A
57	145.22	148.60	78	20	10	A	78	38	12	A
76	193.59	197.70	78	34	10	A	78	38	12	A
95	241.96	246.10	78	34	10	A	88	43	12	A
114	290.33	294.50	88	39	10	A	88	43	12	A

Tooth Width
 B1 2.8mm
 b1 2.7mm
 B2 8.3mm

Type A = Steel C45
 Type B = Cast Iron GG22



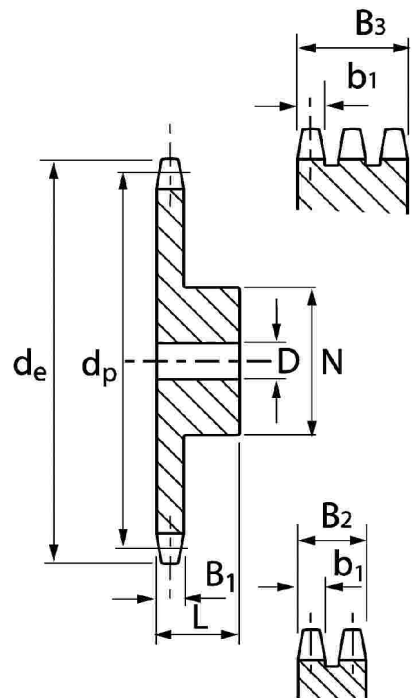
* Non functional dimensions may vary slightly.

06B PILOT BORED SPROCKET

3/8" X 7/32" PITCH

No. of Teeth	Pitch Dia	Outer Dia	Simplex				Duplex				Triplex			
			Hub Dia	Length bore	Stock bore	Type	Hub Dia	Length bore	Stock bore	Type	Hub Dia	Length bore	Stock bore	Type
			N	L	D		N	L	D		N	L	D	
8	24.89	28.00	15	22	8	A	15	22	8	A	15	32	8	A
9	27.85	31.00	18	22	8	A	18	22	8	A	18	32	8	A
10	30.82	34.00	20	22	8	A	20	22	8	A	20	32	10	A
11	33.80	37.00	22	25	8	A	22	25	10	A	22	35	10	A
12	36.80	40.00	25	25	8	A	25	25	10	A	25	35	10	A
13	39.79	43.00	28	25	10	A	28	25	10	A	28	35	10	A
14	42.80	46.30	31	25	10	A	31	25	10	A	31	35	12	A
15	45.81	49.30	34	25	10	A	34	25	10	A	34	35	12	A
16	48.82	52.30	37	28	10	A	37	30	12	A	37	35	12	A
17	51.83	55.30	40	28	10	A	40	30	12	A	40	35	12	A
18	54.85	58.30	43	28	10	A	43	30	12	A	43	35	12	A
19	57.87	61.30	45	28	10	A	46	30	12	A	46	35	12	A
20	60.89	64.30	48	28	10	A	49	30	12	A	49	35	12	A
21	63.91	68.00	48	28	12	A	52	30	12	A	52	40	14	A
22	66.93	71.00	50	28	12	A	55	30	12	A	55	40	14	A
23	69.95	73.50	52	28	12	A	58	30	12	A	58	40	14	A
24	72.97	77.00	54	28	12	A	61	30	12	A	61	40	14	A
25	76.00	80.00	57	28	12	A	64	30	12	A	64	40	14	A
26	79.02	83.00	60	28	12	A	67	30	12	A	67	40	14	A
27	82.05	86.00	60	28	12	A	70	30	12	A	70	40	14	A
28	85.07	89.00	60	28	12	A	73	30	12	A	73	40	14	A
29	88.09	92.00	60	28	12	A	76	30	12	A	76	40	14	A
30	91.12	94.70	60	30	12	A	79	30	12	A	79	40	14	A
31	94.15	98.30	65	30	14	A	80	30	16	A	80	40	16	A
32	97.17	101.30	65	30	14	A	80	30	16	A	80	40	16	A
33	100.20	104.30	65	30	14	A	80	30	16	A	80	40	16	A
34	103.23	107.30	65	30	14	A	80	30	16	A	85	40	16	A
35	106.26	110.40	65	30	14	A	80	30	16	A	85	40	16	A
36	109.29	113.43	70	30	14	A	90	30	16	A	90	40	16	A
37	112.32	116.40	70	30	14	A	90	30	16	A	90	40	16	A
38	115.35	119.50	70	30	14	A	90	30	16	A	90	40	16	A
39	118.37	122.50	70	30	14	A	90	30	16	A	90	40	16	A
40	121.40	125.50	70	30	14	A	90	30	16	A	90	40	16	A
45	136.55	140.70	70	32	19	B	80	32	19	B	90	56	24	B
57	172.91	176.90	70	32	19	B	80	32	19	B	90	56	24	B
76	230.49	234.50	70	32	19	B	80	32	19	B	100	56	24	B
95	288.08	292.50	80	40	19	B	80	32	19	B	100	56	24	B
114	345.68	350.30	80	40	20	B	95	45	20	B	100	56	24	B

Tooth Width
 B1 5.3mm
 b1 5.2mm
 B2 15.4mm
 B3 25.6mm



* Non functional dimensions may vary slightly.

PILOT BORE SPROCKETS

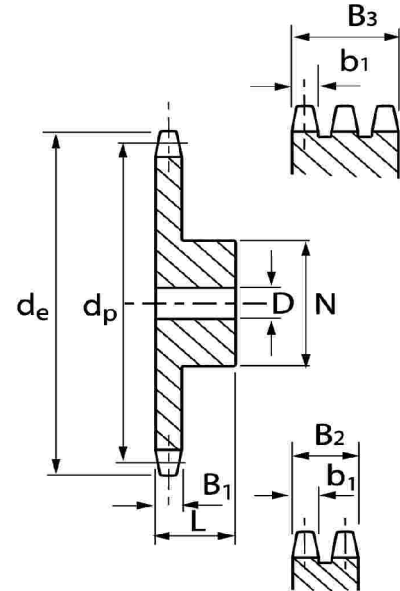
08B PILOT BORED SPROCKET

1/2" X 5/16" PITCH

No. of Teeth	Pitch Dia	Outer Dia	Simplex				Duplex				Triplex			
			Hub Dia	Length bore	Stock bore	Type	Hub Dia	Length bore	Stock bore	Type	Hub Dia	Length bore	Stock bore	Type
			N	L	D		N	L	D		N	L	D	
8	33.18	37.20	20	25	10	A	20	32	10	A	20	46	10	A
9	37.13	41.00	24	25	10	A	24	32	10	A	24	46	12	A
10	41.10	45.20	26	25	10	A	28	32	10	A	28	46	12	A
11	45.07	48.70	29	25	10	A	32	35	12	A	32	50	14	A
12	49.07	53.00	33	28	10	A	35	35	12	A	35	50	14	A
13	53.06	57.40	37	28	10	A	38	35	12	A	38	50	14	A
14	57.07	61.80	41	28	10	A	42	35	12	A	42	50	14	A
15	61.09	65.50	45	28	10	A	46	35	12	A	46	50	14	A
16	65.10	69.50	50	28	12	A	50	35	14	A	50	50	16	A
17	69.11	73.60	52	28	12	A	54	35	14	A	54	50	16	A
18	73.14	77.80	56	28	12	A	58	35	14	A	58	50	16	A
19	77.16	81.70	60	28	12	A	62	35	14	A	62	50	16	A
20	81.19	85.80	64	28	12	A	66	35	14	A	66	50	16	A
21	85.22	89.70	68	28	12	A	70	40	16	A	70	55	16	A
22	89.24	93.80	70	28	12	A	70	40	16	A	70	55	16	A
23	93.27	98.20	70	28	14	A	70	40	16	A	70	55	16	A
24	97.29	101.80	70	28	14	A	75	40	16	A	75	55	16	A
25	101.33	105.80	70	28	14	A	80	40	16	A	80	55	16	A
26	105.36	110.00	70	30	16	A	85	40	16	A	85	55	20	A
27	109.40	114.00	70	30	16	A	85	40	16	A	85	55	20	A
28	113.42	118.00	70	30	16	A	90	40	16	A	90	55	20	A
29	117.46	122.00	80	30	16	A	95	40	16	A	95	55	20	A
30	121.50	126.10	80	30	16	A	100	40	16	A	100	55	20	A
31	125.54	130.20	80	30	16	A	100	40	20	A	110	55	20	A
32	129.56	134.30	90	30	16	A	100	40	20	A	110	55	20	A
33	133.60	138.40	90	30	16	A	100	40	20	A	110	55	20	A
34	137.64	142.60	90	30	16	A	100	40	20	A	110	55	20	A
35	141.68	146.70	90	30	16	A	100	40	20	A	110	55	20	A
36	145.72	151.00	90	35	16	A	100	40	20	A	120	55	25	A
37	149.76	154.60	90	35	16	A	100	40	20	A	120	55	25	A
38	153.80	158.60	90	35	16	A	100	40	20	A	120	55	25	A
39	157.83	162.70	90	35	16	A	100	40	20	A	120	55	25	A
40	161.87	166.80	90	35	16	A	100	40	20	A	120	55	25	A
45	182.07	188.00	70	40	19	B	90	50	23	B	100	60	24	B
57	230.54	236.40	70	40	19	B	90	50	23	B	100	60	24	B
76	307.33	313.30	80	40	23	B	100	56	23	B	100	60	24	B
95	384.11	390.10	80	45	23	B	100	56	23	B	120	67	24	B
114	460.91	466.90	80	45	24	B	100	63	24	B	120	67	24	B

Tooth Width
 B1 7.2mm
 b1 7.0mm
 B2 21.0mm
 B3 34.9mm

Type A = Steel C45
 Type B = Cast Iron GG22



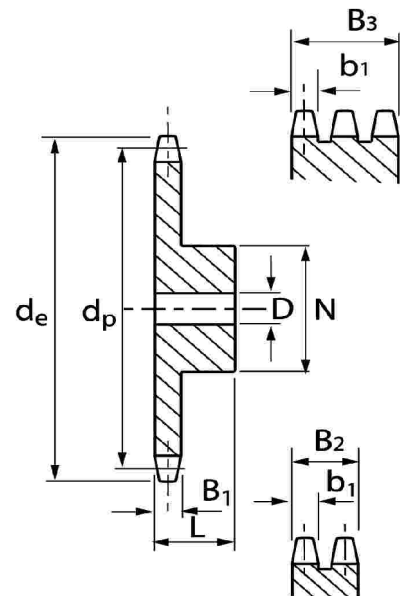
* Non functional dimensions may vary slightly.

10B PILOT BORED SPROCKET

5/8" X 3/8" PITCH

No. of Teeth	Pitch Dia	Outer Dia	Simplex				Duplex				Triplex			
			Hub Dia	Length bore	Stock bore	Type	Hub Dia	Length bore	Stock bore	Type	Hub Dia	Length bore	Stock bore	Type
			N	L	D		N	L	D		N	L	D	
8	41.48	47.00	25	25	10	A	25	40	12	A	25	55	12	A
9	46.42	52.60	30	25	10	A	30	40	12	A	30	55	12	A
10	51.37	57.50	35	25	10	A	35	40	12	A	35	55	16	A
11	56.34	63.00	37	30	12	A	39	40	14	A	39	55	16	A
12	61.34	68.00	42	30	12	A	44	40	14	A	44	55	16	A
13	66.32	73.00	47	30	12	A	49	40	14	A	49	55	16	A
14	71.34	78.00	52	30	12	A	54	40	14	A	54	55	16	A
15	76.36	83.00	57	30	12	A	59	40	14	A	59	55	16	A
16	81.37	88.00	60	30	12	A	64	45	16	A	64	60	16	A
17	86.39	93.00	60	30	12	A	69	45	16	A	69	60	16	A
18	91.42	98.30	70	30	14	A	74	45	16	A	74	60	16	A
19	96.45	103.30	70	30	14	A	79	45	16	A	79	60	16	A
20	101.49	108.40	75	30	14	A	84	45	16	A	84	60	16	A
21	106.52	113.40	75	30	16	A	85	45	16	A	85	60	20	A
22	111.55	118.00	80	30	16	A	90	45	16	A	90	60	20	A
23	116.58	123.40	80	30	16	A	95	45	16	A	95	60	20	A
24	121.62	128.30	80	30	16	A	100	45	16	A	100	60	20	A
25	126.66	134.00	80	30	16	A	105	45	16	A	105	60	20	A
26	131.70	139.00	85	35	20	A	110	45	20	A	110	60	20	A
27	136.75	144.00	85	35	20	A	110	45	20	A	110	60	20	A
28	141.78	148.70	90	35	20	A	115	45	20	A	115	60	20	A
29	146.83	153.80	90	35	20	A	115	45	20	A	115	60	20	A
30	151.87	158.80	90	35	20	A	120	45	20	A	120	60	20	A
31	156.92	163.90	95	35	20	A	120	45	20	A	120	60	20	A
32	161.95	168.90	95	35	20	A	120	45	20	A	120	60	20	A
33	167.00	174.50	95	35	20	A	120	45	20	A	120	60	20	A
34	172.05	179.00	95	35	20	A	120	45	20	A	120	60	20	A
35	177.10	184.10	95	35	20	A	120	45	20	A	120	60	20	A
36	182.15	189.10	100	35	20	A	120	45	20	A	120	60	25	A
37	187.20	194.20	100	35	20	A	120	45	20	A	120	60	25	A
38	192.24	199.20	100	35	20	A	120	45	20	A	120	60	25	A
39	197.29	204.20	100	35	20	A	120	45	20	A	120	60	25	A
40	202.34	209.30	100	35	20	A	120	45	20	A	120	60	25	A
45	227.58	235.00	80	40	19	B	100	50	30	B	100	60	32	B
57	288.18	296.00	90	45	23	B	100	56	30	B	100	63	32	B
76	384.16	392.10	90	50	23	B	100	63	30	B	110	67	35	B
95	480.14	488.50	100	56	23	B	110	63	30	B	125	70	35	B
114	576.13	584.10	100	56	24	B	125	70	30	B	125	80	35	B

Tooth Width
 B1 9.1mm
 b1 9.0mm
 B2 25.5mm
 B3 42.1mm



* Non functional dimensions may vary slightly.

PILOT BORE SPROCKETS

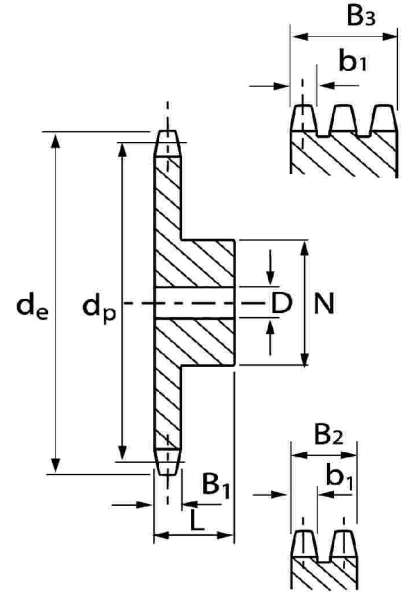
12B PILOT BORED SPROCKETS

3/4" X 7/16" PITCH

No. of Teeth	Pitch Dia	Outer Dia	Simplex				Duplex				Triplex			
			Hub Dia	Length bore	Stock bore	Type	Hub Dia	Length bore	Stock bore	Type	Hub Dia	Length bore	Stock bore	Type
			N	L	D		N	L	D		N	L	D	
8	49.74	57.00	31	30	12	A	31	48	12	A	31	65	16	A
9	55.70	62.00	37	30	12	A	37	45	12	A	37	65	16	A
10	61.64	69.00	42	30	12	A	42	45	12	A	42	65	16	A
11	67.61	75.00	46	35	14	A	47	50	16	A	47	70	20	A
12	73.61	81.50	52	35	14	A	53	50	16	A	53	70	20	A
13	79.59	87.50	58	35	14	A	59	50	16	A	59	70	20	A
14	85.61	93.60	64	35	14	A	65	50	16	A	65	70	20	A
15	91.63	99.80	70	35	14	A	71	50	16	A	71	70	20	A
16	97.65	105.50	75	35	16	A	77	50	20	A	77	70	20	A
17	103.67	111.50	80	35	16	A	83	50	20	A	83	70	20	A
18	109.71	118.00	80	35	16	A	89	50	20	A	89	70	20	A
19	115.75	124.20	80	35	16	A	95	50	20	A	95	70	20	A
20	121.78	129.70	80	35	16	A	100	50	20	A	100	70	20	A
21	127.82	136.00	90	40	20	A	100	50	20	A	100	70	20	A
22	133.86	141.80	90	40	20	A	100	50	20	A	100	70	20	A
23	139.90	149.00	90	40	20	A	110	50	20	A	110	70	20	A
24	145.94	153.90	90	40	20	A	110	50	20	A	110	70	20	A
25	152.00	160.00	90	40	20	A	120	50	20	A	120	70	20	A
26	158.04	165.90	95	40	20	A	120	50	20	A	120	70	20	A
27	164.09	172.30	95	40	20	A	120	50	20	A	120	70	20	A
28	170.13	178.00	95	40	20	A	120	50	20	A	120	70	20	A
29	176.19	184.10	95	40	20	A	120	50	20	A	120	70	20	A
30	182.25	190.50	95	40	20	A	120	50	20	A	120	70	20	A
31	188.31	196.30	95	40	20	A	120	50	20	A	130	70	25	A
32	194.35	203.30	95	40	20	A	120	50	20	A	130	70	25	A
33	200.40	209.30	95	40	20	A	120	50	20	A	130	70	25	A
34	206.46	214.60	95	40	20	A	120	50	20	A	130	70	25	A
35	212.52	221.00	95	40	20	A	120	50	20	A	130	70	25	A
36	218.58	226.80	100	40	20	A	120	50	25	A	130	70	25	A
37	224.64	232.90	100	40	20	A	120	50	25	A	130	70	25	A
38	230.69	239.80	100	40	20	A	120	50	25	A	130	70	25	A
39	236.75	245.10	100	40	20	A	120	50	25	A	130	70	25	A
40	242.81	251.30	100	40	20	A	120	50	25	A	130	70	25	A
45	273.10	282.50	100	56	24	B	110	63	30	B	140	70	30	B
57	345.81	354.00	100	56	30	B	120	63	30	B	140	70	40	B
76	460.99	469.90	100	56	30	B	135	63	30	B	160	75	40	B
95	576.17	585.10	100	65	30	B	135	70	30	B	170	82	40	B
114	691.36	700.60	100	65	30	B	135	70	45	B	170	82	50	B

Tooth Width
 B1 11.1mm
 b1 10.8mm
 B2 30.3mm
 B3 49.8mm

Type A = Steel C45
 Type B = Cast Iron GG22



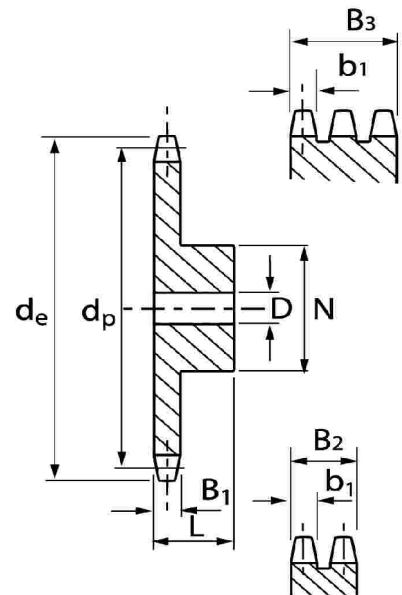
* Non functional dimensions may vary slightly.

16B PILOT BORED SPROCKETS

1" X 17.02mm

No. of Teeth	Pitch Dia	Outer Dia	Simplex				Duplex				Triplex			
			Hub Dia	Length bore	Stock bore	Type	Hub Dia	Length bore	Stock bore	Type	Hub Dia	Length bore	Stock bore	Type
			N	L	D		N	L	D		N	L	D	
8	66.37	77.00	42	35	16	A	42	65	16	A	42	95	20	A
9	74.27	85.00	50	35	16	A	50	65	16	A	50	95	20	A
10	82.19	93.00	55	35	16	A	56	65	16	A	56	95	20	A
11	90.14	99.50	61	40	16	A	64	70	20	A	64	100	25	A
12	93.14	109.00	69	40	16	A	72	70	20	A	72	100	25	A
13	106.12	117.00	78	40	16	A	80	70	20	A	80	100	25	A
14	114.15	125.00	84	40	16	A	88	70	20	A	88	100	25	A
15	122.17	133.00	92	40	16	A	96	70	20	A	96	100	25	A
16	130.20	141.00	100	45	20	A	104	70	20	A	104	100	25	A
17	138.22	149.00	100	45	20	A	112	70	20	A	112	100	25	A
18	146.28	157.00	100	45	20	A	120	70	20	A	120	100	25	A
19	154.33	165.20	100	45	20	A	128	70	20	A	128	100	25	A
20	162.38	173.20	100	45	20	A	130	70	20	A	130	100	25	A
21	170.43	181.20	110	50	20	A	130	70	25	A	130	100	25	A
22	178.48	189.30	110	50	20	A	130	70	25	A	130	100	25	A
23	186.53	197.50	110	50	20	A	130	70	25	A	130	100	25	A
24	194.59	205.50	110	50	20	A	130	70	25	A	130	100	25	A
25	202.66	213.50	110	50	20	A	130	70	25	A	130	100	25	A
26	210.72	221.60	120	50	20	A	130	70	25	A	130	100	30	A
27	218.79	229.60	120	50	20	A	130	70	25	A	130	100	30	A
28	226.85	237.70	120	50	20	A	130	70	25	A	130	100	30	A
29	234.92	245.80	120	50	20	A	130	70	25	A	130	100	30	A
30	243.00	254.00	120	50	20	A	130	70	25	A	130	100	30	A
31	251.08	262.00	120	50	25	A	140	70	25	A	140	100	30	B
32	259.13	270.00	120	50	25	A	140	70	25	A	140	100	30	B
33	267.21	278.50	120	50	25	A	140	70	25	A	140	100	30	B
34	275.28	287.00	120	50	25	A	140	70	25	A	140	100	30	B
35	283.36	296.20	120	50	25	A	140	70	25	A	140	100	30	B
36	291.44	304.60	120	50	25	A	140	70	25	A	140	100	30	B
37	299.51	312.60	120	50	25	A	140	70	25	A	140	100	30	B
38	307.59	320.70	120	50	25	A	140	70	25	A	140	100	30	B
39	315.67	328.80	120	50	25	A	140	70	25	A	140	100	30	B
40	323.75	336.90	120	50	25	A	140	70	25	A	140	100	30	B
45	364.13	377.00	125	70	30	B	150	75	40	B	160	100	45	B
57	461.08	474.00	125	70	35	B	170	90	40	B	180	100	45	B
76	614.65	627.00	140	80	35	B	175	95	40	B	200	110	45	B
95	768.22	781.10	140	80	40	B	175	95	45	B	200	110	50	B
114	921.81	935.60	140	80	40	B	175	95	45	B	200	115	60	B

Tooth Width
 B1 16.2mm
 b1 15.8mm
 B2 47.7mm
 B3 79.6mm



* Non functional dimensions may vary slightly.

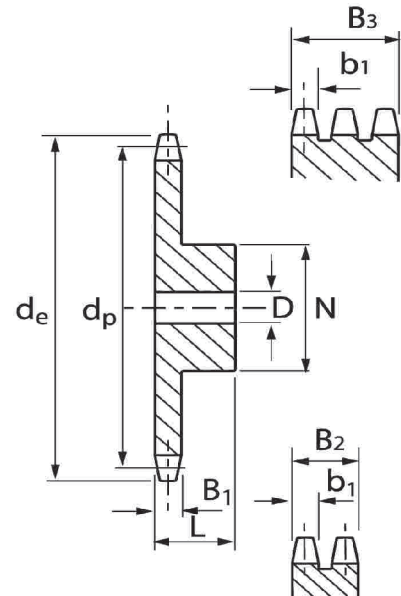
20B PILOT BORED SPROCKETS

1. 1/4" X 3/4" PITCH

No. of Teeth	Pitch Dia	Outer Dia	Simplex				Duplex				Triplex			
			Hub Dia	Length bore	Stock bore	Type	Hub Dia	Length bore	Stock bore	Type	Hub Dia	Length bore	Stock bore	Type
			dp	de	N	L	D	N	L	D	N	L	D	N
8	82.96	98.10	53	40	20	A	53	75	20	A	53	110	20	A
9	92.84	108.00	63	40	20	A	63	75	20	A	63	110	20	A
10	102.74	117.90	70	40	20	A	70	75	20	A	70	110	20	A
11	112.68	127.80	77	45	20	A	80	80	20	A	80	115	20	A
12	122.68	137.80	88	45	20	A	90	80	20	A	90	115	20	A
13	132.65	147.80	98	45	20	A	100	80	20	A	100	115	20	A
14	142.68	157.80	108	45	20	A	110	80	20	A	110	115	20	A
15	152.72	167.90	118	45	20	A	120	80	20	A	120	115	20	A
16	162.75	177.90	120	50	20	A	120	80	25	A	120	115	25	A
17	172.78	187.90	120	50	25	A	120	80	25	A	120	115	25	A
18	182.85	198.00	120	50	25	A	120	80	25	A	120	115	25	A
19	192.91	208.10	120	50	25	A	120	80	25	A	120	115	25	A
20	202.98	218.10	120	50	25	A	120	80	25	B	120	115	25	B
21	213.04	228.20	140	55	25	A	140	80	25	B	140	115	25	B
22	223.11	238.30	140	55	25	A	140	80	25	B	140	115	25	B
23	233.17	248.30	140	55	25	A	140	80	25	B	140	115	25	B
24	243.23	258.40	140	55	25	A	140	80	25	B	140	115	25	B
25	253.33	268.50	140	55	25	A	140	80	25	B	140	115	25	B
26	263.40	278.60	150	55	25	A	150	80	25	B	150	115	25	B
27	273.48	288.60	150	55	25	A	150	80	25	B	150	115	25	B
28	283.56	298.70	150	55	25	A	150	80	25	B	150	115	25	B
29	293.65	308.80	150	55	25	A	150	80	25	B	150	115	25	B
30	303.75	318.90	150	55	25	A	150	80	25	B	150	115	25	B
31	313.85	329.00	150	55	25	A	150	80	25	B	150	115	30	B
32	323.91	339.10	150	55	25	A	150	80	25	B	150	115	30	B
33	334.01	349.20	150	55	25	A	150	80	25	B	150	115	30	B
34	344.10	359.30	150	55	25	A	150	80	25	B	150	115	30	B
35	354.20	369.40	150	55	25	A	150	80	25	B	150	115	30	B
36	364.30	379.50	150	55	25	A	150	80	30	B	150	115	30	B
37	374.39	389.50	150	55	25	A	150	80	30	B	150	115	30	B
38	384.49	399.60	150	55	25	A	150	80	30	B	150	115	30	B
39	394.59	409.70	150	55	25	B	150	80	30	B	150	115	30	B
40	404.69	419.80	150	55	25	B	150	80	30	B	150	115	30	B
57	576.35	591.50	135	80	40	B	170	100	50	B	180	130	50	B
76	768.32	783.50	140	90	50	B	180	110	50	B	200	140	50	B

Tooth Width
 B1 18.5mm
 b1 18.2mm
 B2 54.6mm
 B3 91.0mm

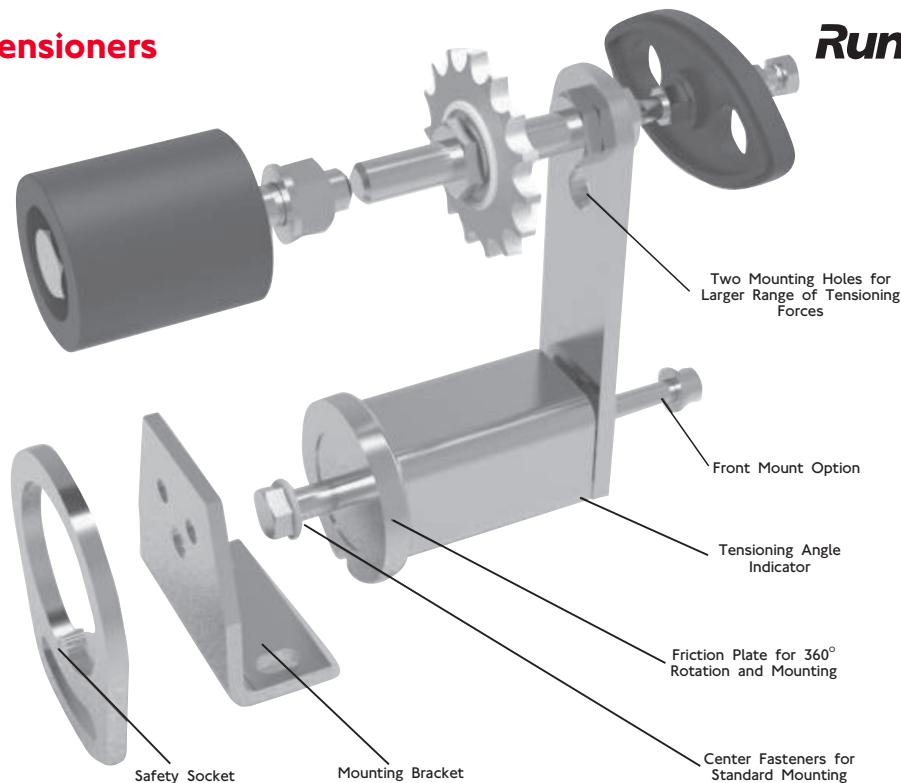
Type A = Steel C45
 Type B = Cast Iron GG22



* Non functional dimensions may vary slightly.

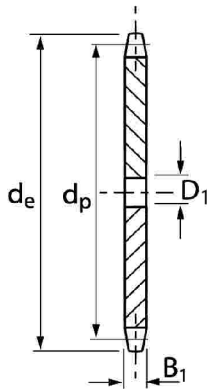
RunRight Tensioners

RunRight



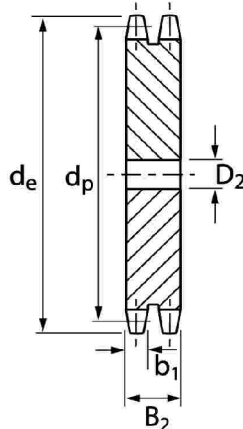
*Refer to BMG for more information

PLATEWHEEL SPROCKETS



05B PLATEWHEEL 8 X 3mm PITCH

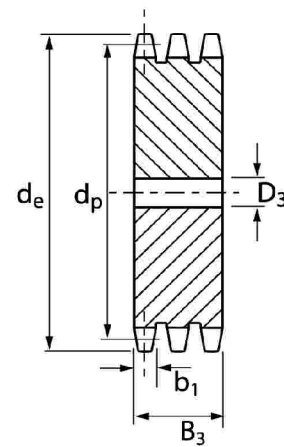
Tooth Width	B ₁	2.8mm
	b ₁	2.7mm
	B ₂	8.3mm



06B PLATEWHEEL

Tooth Width	B ₁	5.3mm
	b ₁	5.2mm
	B ₂	15.4mm
	B ₃	25.6mm

$\frac{3}{8}$ " X $\frac{7}{32}$ " PITCH



08B PLATEWHEEL $\frac{1}{2}$ " X $\frac{5}{16}$ " PITCH

Tooth Width	B ₁	7.2mm
	b ₁	7.0mm
	B ₂	21.0mm
	B ₃	34.9mm

No. of Teeth	Pitch Dia	Outer Dia	Stock Bore	
	d _p	d _e	Simp D ₁	Dup D ₂
8	20.90	24.00	6	8
9	23.39	26.60	6	8
10	25.89	29.20	8	8
11	28.39	31.70	8	8
12	30.91	34.20	8	8
13	33.42	36.70	8	8
14	35.95	39.20	8	8
15	38.48	41.70	8	8
16	41.01	44.30	8	10
17	43.53	46.80	8	10
18	46.07	49.30	8	10
19	48.61	51.90	8	10
20	51.14	54.40	8	10
21	53.68	57.00	8	10
22	56.21	59.50	8	10
23	58.75	62.00	8	10
24	61.29	64.60	8	10
25	63.83	67.50	8	10
26	66.37	69.50	10	12
27	68.91	72.20	10	12
28	71.45	74.80	10	12
29	73.99	77.30	10	12
30	76.53	79.80	10	12
31	79.08	82.40	10	12
32	81.61	84.90	10	12
33	84.16	87.50	10	12
34	86.70	90.00	10	12
35	89.25	92.50	10	12
36	91.79	95.00	10	12
37	94.33	97.60	10	12
38	96.88	100.20	10	12
39	99.42	102.70	10	12
40	101.97	105.30	10	12
41	104.51	107.80	12	14
42	107.05	110.40	12	14
43	109.60	112.90	12	14
44	112.14	115.50	12	14
45	114.69	118.00	12	14
46	117.23	120.60	12	14
47	119.77	123.10	12	14
48	122.32	125.60	12	14
57	145.22	148.60	14	16
76	193.59	197.70	20	20
95	241.96	246.10	20	20

No. of Teeth	Pitch Dia	Outer Dia	Stock Bore		
	d _p	d _e	Simp D ₁	Dup D ₂	Trip D ₃
8	24.89	28.00	6	8	8
9	27.85	31.00	7	8	8
10	30.82	34.00	7	8	10
11	33.80	37.00	8	10	10
12	36.80	40.00	8	10	10
13	39.79	43.00	8	10	10
14	42.80	46.30	8	10	12
15	45.81	49.30	8	10	12
16	48.82	52.30	10	12	12
17	51.83	55.30	10	12	12
18	54.85	58.30	10	12	12
19	57.87	61.30	10	12	12
20	60.89	64.30	10	12	12
21	63.91	68.00	10	12	14
22	66.93	71.00	10	12	14
23	69.95	73.50	10	12	14
24	72.97	77.00	10	12	14
25	76.00	80.00	10	12	14
26	79.02	83.00	10	12	14
27	82.05	86.00	10	12	14
28	85.07	89.00	10	12	14
29	88.09	92.00	10	12	14
30	91.12	94.70	10	12	14
31	94.15	98.30	12	14	16
32	97.17	101.30	12	14	16
33	100.20	104.30	12	14	16
34	103.23	107.30	12	14	16
35	106.26	110.40	12	14	16
36	109.29	113.40	12	14	16
37	112.32	116.40	12	14	16
38	115.35	119.50	12	14	16
39	118.37	122.50	12	14	16
40	121.40	125.50	12	14	16
41	124.43	128.50	16	16	16
42	127.46	131.60	16	16	16
43	130.49	134.60	16	16	16
44	133.52	137.60	16	16	16
45	136.55	140.70	16	16	16
46	139.58	143.70	16	16	16
47	142.61	146.70	16	16	16
48	145.64	149.70	16	16	16
57	172.91	176.90	16	16	20
76	230.49	234.90	20	20	25
95	288.08	292.50	20	20	25

No. of Teeth	Pitch Dia	Outer Dia	Stock Bore		
	d _p	d _e	Simp D ₁	Dup D ₂	Trip D ₃
8	33.18	37.20	8	10	10
9	37.13	41.00	8	10	10
10	41.10	45.20	8	10	10
11	45.07	48.70	10	10	12
12	49.07	53.00	10	10	12
13	53.06	57.40	10	10	12
14	57.07	61.80	10	10	12
15	61.09	65.50	10	10	12
16	65.10	69.50	10	12	16
17	69.11	73.60	10	12	16
18	73.14	77.80	10	12	16
19	77.16	81.70	10	12	16
20	81.19	85.80	10	12	16
21	85.22	89.70	12	16	16
22	89.24	93.80	12	16	16
23	93.27	98.20	12	16	16
24	97.29	101.80	12	16	16
25	101.33	105.80	12	16	16
26	105.36	110.00	16	16	16
27	109.40	114.00	16	16	16
28	113.42	118.00	16	16	16
29	117.46	122.00	16	16	16
30	121.50	126.10	16	16	16
31	125.54	130.20	16	16	20
32	129.56	134.30	16	16	20
33	133.60	138.40	16	16	20
34	137.64	142.60	16	16	20
35	141.68	146.70	16	16	20
36	145.72	151.00	16	20	20
37	149.76	154.60	16	20	20
38	153.80	158.60	16	20	20
39	157.83	162.70	16	20	20
40	161.87	166.80	16	20	20
41	165.91	171.40	20	20	25
42	169.95	175.40	20	20	25
43	173.99	179.70	20	20	25
44	178.03	183.80	20	20	25
45	182.07	188.00	20	20	25
46	186.10	192.10	20	20	25
47	190.14	196.20	20	20	25
48	194.18	200.30	20	20	25
57	230.54	236.40	20	25	25
76	307.33	313.30	25	25	25
95	384.11	390.10	25	25	25

* Non functional dimensions may vary slightly.

MATERIAL · Steel = C45

BOER
SLIM

PLATEWHEEL SPROCKETS

10B PLATEWHEEL

5/8" X 3/8"
PITCH

12B PLATEWHEEL

3/4" X 7/16"
PITCH

16B PLATEWHEEL 1" X 17.02mm PITCH

Tooth Width B₁ 9.1mm
b₁ 9.0mm
B₂ 25.5mm
B₃ 42.1mm

Tooth Width B₁ 11.1mm
b₁ 10.8mm
B₂ 30.3mm
B₃ 49.8mm

Tooth Width B₁ 16.2mm
b₁ 15.8mm
B₂ 47.7mm
B₃ 79.6mm

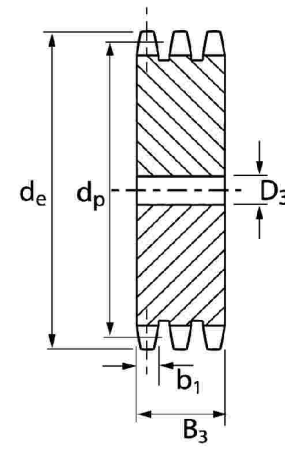
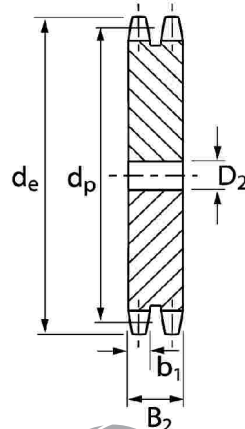
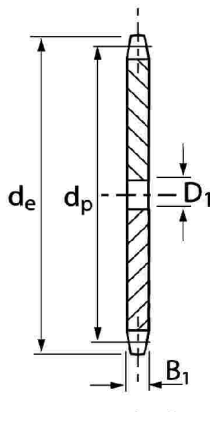
No. of Teeth	Pitch Dia	Outer Dia	Stock Bore		
	d _p	d _e	Simp D ₁	Dup D ₂	Trip D ₃
8	41.48	47.00	10	10	12
9	46.42	52.60	10	10	12
10	51.37	57.50	10	10	12
11	56.34	63.00	10	10	12
12	61.34	68.00	10	10	12
13	66.32	73.00	10	10	12
14	71.34	78.00	10	10	12
15	76.36	83.00	10	12	12
16	81.37	88.00	12	12	16
17	86.39	93.00	12	12	16
18	91.42	98.30	12	12	16
19	96.45	103.30	12	12	16
20	101.49	108.40	12	12	16
21	106.52	113.40	12	16	16
22	111.55	118.00	12	16	16
23	116.58	123.40	12	16	16
24	121.62	128.30	12	16	16
25	126.66	134.00	12	16	16
26	131.70	139.00	16	16	20
27	136.75	144.00	16	16	20
28	141.78	148.70	16	16	20
29	146.83	153.80	16	16	20
30	151.87	158.80	16	16	20
31	156.92	163.90	16	20	20
32	161.95	168.90	16	20	20
33	167.00	174.50	16	20	20
34	172.05	179.00	16	20	20
35	177.10	184.10	16	20	20
36	182.15	189.10	20	20	25
37	187.20	194.20	20	20	25
38	192.24	199.20	20	20	25
39	197.29	204.20	20	20	25
40	202.34	209.30	20	20	25
41	207.39	214.80	20	20	25
42	212.44	219.90	20	20	25
43	217.49	224.90	20	20	25
44	222.53	230.00	20	20	25
45	227.58	235.00	20	20	25
46	232.63	240.10	20	25	25
47	237.68	245.10	20	25	25
48	242.73	250.20	20	25	25
57	288.18	296.00	25	25	25
76	384.16	392.10	25	25	30
95	480.14	488.50	30	30	30

No. of Teeth	Pitch Dia	Outer Dia	Stock Bore		
	d _p	d _e	Simp D ₁	Dup D ₂	Trip D ₃
8	49.78	57.60	12	12	12
9	55.70	62.00	12	12	12
10	61.64	69.00	12	12	12
11	67.61	75.00	14	14	16
12	73.61	81.50	14	14	16
13	79.59	87.50	14	14	16
14	85.61	93.60	14	14	16
15	91.63	99.80	14	14	16
16	97.65	105.50	14	16	16
17	103.67	111.50	14	16	16
18	109.71	118.00	14	16	16
19	115.75	124.20	14	16	16
20	121.78	129.70	14	16	16
21	127.82	136.00	16	16	20
22	133.86	141.80	16	16	20
23	139.90	149.00	16	16	20
24	145.94	153.90	16	16	20
25	152.00	160.00	16	16	20
26	158.04	165.90	16	20	20
27	164.09	172.30	16	20	20
28	170.13	178.00	16	20	20
29	176.19	184.10	16	20	20
30	182.25	190.50	16	20	20
31	188.31	196.30	20	20	25
32	194.35	203.30	20	20	25
33	200.40	209.30	20	20	25
34	206.46	214.60	20	20	25
35	212.52	221.00	20	20	25
36	218.58	226.80	20	25	25
37	224.64	232.90	20	25	25
38	230.69	239.00	20	25	25
39	236.75	245.10	20	25	25
40	242.81	251.30	20	25	25
41	248.87	257.30	20	25	25
42	254.93	264.50	20	25	25
43	260.98	270.50	25	25	25
44	267.04	276.50	25	25	25
45	273.10	282.50	25	25	25
46	279.16	287.90	25	25	25
47	285.21	294.00	25	25	25
48	291.27	300.10	25	25	25
57	345.81	355.40	25	25	30
76	460.99	469.90	30	30	30
95	576.17	585.10	30	30	30

No. of Teeth	Pitch Dia	Outer Dia	Stock Bore		
	d _p	d _e	Simp D ₁	Dup D ₂	Trip D ₃
8	66.37	77.00	14	16	16
9	74.27	85.00	14	16	16
10	82.19	93.00	15	16	16
11	90.14	99.50	15	20	20
12	98.14	109.00	15	20	20
13	106.12	117.00	15	20	20
14	114.15	125.00	15	20	20
15	122.17	133.00	15	20	20
16	130.20	141.00	19	20	25
17	138.22	149.00	19	20	25
18	146.28	157.00	19	20	25
19	154.33	165.20	19	20	25
20	162.38	173.20	19	20	25
21	170.43	181.20	20	25	25
22	178.48	189.30	20	25	25
23	186.53	197.50	20	25	25
24	194.59	205.50	20	25	25
25	202.66	213.50	20	25	25
26	210.72	221.60	20	25	30
27	218.79	229.60	20	25	30
28	226.85	237.70	20	25	30
29	234.92	245.80	20	25	30
30	243.00	254.00	20	25	30
31	251.08	262.00	25	25	30
32	259.13	270.00	25	25	30
33	267.21	278.50	25	25	30
34	275.28	287.00	25	25	30
35	283.36	296.20	25	25	30
36	291.44	304.60	25	25	30
37	299.51	312.60	25	25	30
38	307.59	320.70	25	25	30
39	315.67	328.80	25	25	30
40	323.75	336.90	25	25	30
41	331.82	345.00	25	25	30
42	339.90	353.00	25	25	30
43	347.98	361.10	25	25	30
44	356.06	369.10	25	25	30
45	364.13	377.10	25	25	30
46	372.21	385.20	25	25	30
47	380.29	393.20	25	25	30
48	388.36	401.30	25	25	30
57	461.07	474.00	30	30	40
76	614.65	627.00	30	30	40
95	768.22	781.10	30	30	40

* Non functional dimensions may vary slightly.

MATERIAL: Steel = C45



MATERIAL: Steel = C45

20B and specials also available. Contact nearest BMG Branch

BOER
SLIM

BRINGING THE WORLD'S BEST BRANDS TO YOU

In the bid to procure cutting-edge components at competitive prices, BMG is able to capitalise on long-standing relationships with leading manufacturers dedicated to excellence in design and production.

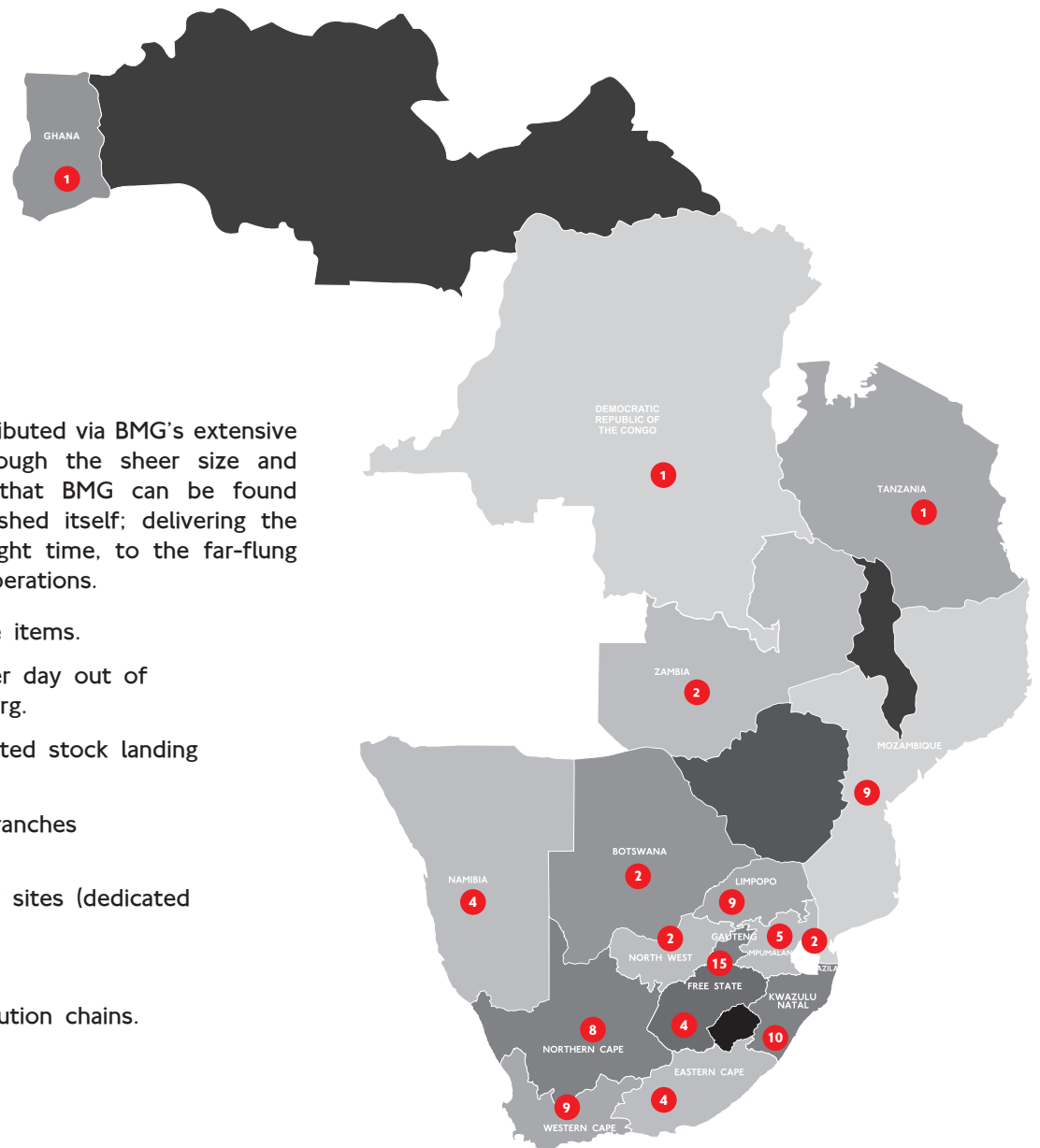
Products are imported from around the globe and brought to BMG's strategically located distribution facilities and regional service centres via the main distribution hub in Johannesburg - BMG World. A world-class facility boasting 308 000m³ of fully stocked warehouse space, an accredited training facility and unlimited engineering capabilities.

Our Extensive Coverage Throughout Africa

88
BRANCHES

Products and services are distributed via BMG's extensive distribution network. It's through the sheer size and reach of our infrastructure, that BMG can be found wherever industry has established itself; delivering the correct components at the right time, to the far-flung coalface of our customers' operations.

- Over 300 000 product line items.
- Around 4 500 transfers per day out of BMG World in Johannesburg.
- Over 1 000 tons of imported stock landing per month.
- 88 strategically situated branches throughout Africa.
- Vendor Managed Inventory sites (dedicated on-site stockholding).
- International exports.
- Locally empowered distribution chains.



24 HR TOLL-FREE EMERGENCY
BRANCH HELPLINE:

0800 022 224

WEBSITE:

www.bmgworld.net



An Invicta Holdings Group Company

BEARINGS • SEALS • POWER TRANSMISSION • DRIVES & MOTORS
MATERIALS HANDLING • TOOLS & FASTENERS • HYDRAULICS
FILTRATION • LUBRICATION • FIELD SERVICE