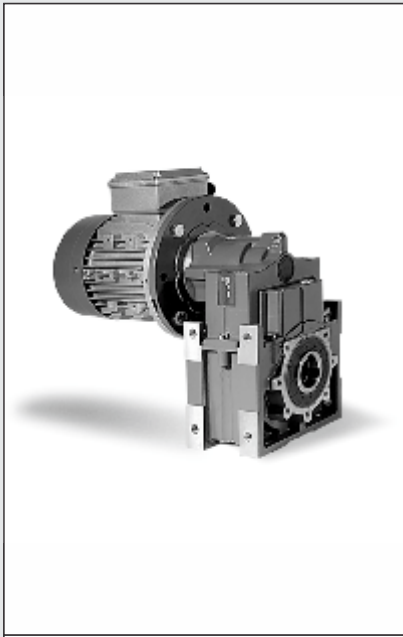


## VARVEL GEARBOXES

### Product Overview





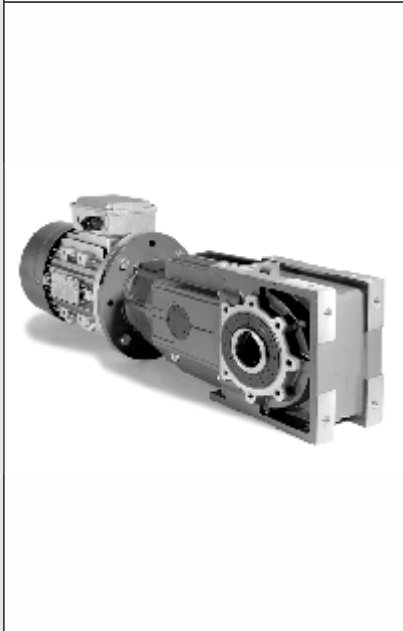
RN SERIES				
Nm		Kw		i
180-3400		1.80-22		6.3-710

**MAIN USE:**

Fractional & medium drives

**MANUFACTURING:**

6 sizes; aluminium pressure die cast up to size 3; grey cast iron from size 4 up; 2 and 3 stages



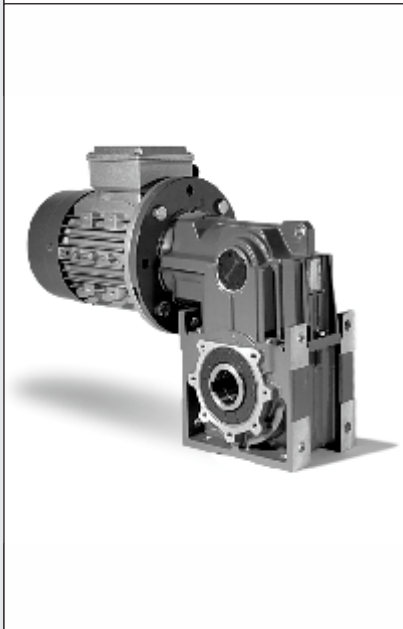
RO SERIES				
Nm		Kw		i
180-3360		2.20-22		6.3-315

**MAIN USE:**

Fractional & medium drives

**MANUFACTURING:**

6 sizes; aluminium pressure die cast up to size 3; grey cast iron from size 4 up; 2 and 3 stages



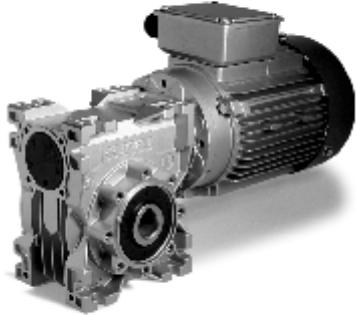
RV SERIES				
Nm		Kw		i
180-2360		2.20-22		6.3-315

**MAIN USE:**

Fractional & medium drives

**MANUFACTURING:**

6 sizes; aluminium pressure die cast up to size 3; grey cast iron from size 4 up; 2 and 3 stages



## RT SERIES

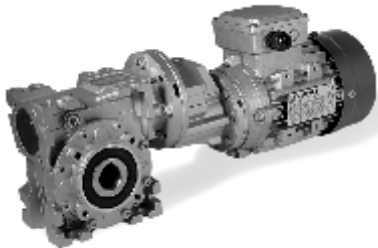
Nm		Kw		i
20-691		0.18-7.50		7-100

### LEADING APPLICATIONS:

General purpose, medium and fractional power drives

### DESIGN:

7 sizes; housings and covers of aluminium die cast up to size 85, of cast iron for size 110; single worm/wheel units; ratios up to  $i=100$ .



## TA SERIES

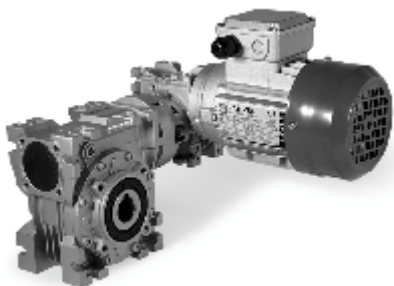
Nm		Kw		i
280-1180		0.18-0.75		25-800

### LEADING APPLICATIONS:

General purpose, medium and fractional power drives; reduction ratios and efficiencies higher than similar drives with two-stage worm/wheel units.

### DESIGN:

7 sizes; housings and covers of aluminium die cast up to size 85, of cast iron for size 110; helical stage and single worm/wheel units; ratios up to  $i=800$ .



## RT/RT SERIES

Nm		Kw		i
260-1350		0.18-0.55		4205-10000

### LEADING APPLICATIONS:

General purpose, medium and fractional power drives; high reduction ratios.

### DESIGN:

7 sizes; housings and covers of aluminium die cast up to size 85, of cast iron for size 110; ratios up to  $i=10000$ .



RD SERIES				
Nm		Kw		i
50-2300		0.55-22		2.3-630

**LEADING APPLICATIONS:**

general purpose, medium and fractional power drives.

**DESIGN:**

7 sizes; housings and covers of aluminium die cast up to size 4, of cast iron from size 5; two- and three-gear trains.



XA SERIES				
Nm		Kw		i
12-170		0.18-4		3.5-8

**LEADING APPLICATIONS:**

general purpose flange mounting B14 and mainly, independent helical stage

**DESIGN:**

4 sizes; aluminium die cast housings and covers; one-gear train



## VR SERIES - DRY FRICTION SPEED VARIATORS

Nm		Kw		i
3-2015		0.09-1.50		300-1500

### LEADING APPLICATIONS:

General purpose, medium and fractional power drives. Dry friction and fully sealed enclosure allow reliable, service free and safe installations.

### DESIGN:

4 sizes; housings and covers of aluminium die cast for sizes 63 and 71, of cast iron for sizes 80 and 90. Variators with output flanges, according to standard IEC sizes, to plug in the various helical and worm/wheel units.



## VS SERIES - PLANETARY SPEED VARIATORS

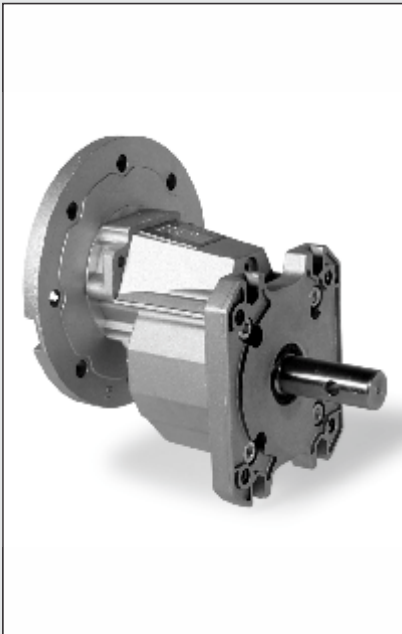
Nm		Kw		i
2-64		0.22-4		170-1000

### LEADING APPLICATIONS:

General purpose, medium and fractional power drives. Dry friction and fully sealed enclosure allow reliable, service free and safe installations.

### DESIGN:

6 sizes; combination of independent drives Variators VR with Speed Reducers RD



## GEARBOXES FOR ANIMAL FEEDING EQUIPMENT

RD SERIES				
Nm		Kw		i
4-37		0.25-1.10		2.5-8

### LEADING APPLICATIONS:

Animal livestock systems for feeder driving (screw conveyors) in floor feeding applications

### DESIGN:

Aluminium die cast housings and covers; one-gear train



## PLANETARY SPEED REDUCERS WITH REDUCED BACKLASH

RG SERIES				
Nm		Kw		i
23-220		-		3-100

### LEADING APPLICATIONS:

DC, brushless and stepper motor drives.

### DESIGN:

4 sizes; 1 and 2 stages



24 HR TOLL-FREE EMERGENCY  
BRANCH HELPLINE:

**0800 022 224**

WEBSITE:

**[www.bmgworld.net](http://www.bmgworld.net)**



 An Invicta Holdings Group Company

BEARINGS • SEALS • POWER TRANSMISSION • DRIVES & MOTORS  
MATERIALS HANDLING • FASTENERS & TOOLS • HYDRAULICS  
PNEUMATICS • FILTRATION • LUBRICATION • VALVES  
TECHNICAL RESOURCES • FIELD SERVICES

