



# INTERAPP VALVES

## Product Overview

<b>BEE4</b>	
EMPOWERING SUPPLIER	
ISO 9001	Certified
ISO 14001	Certified
ISO 45001	Certified

# ABOUT US

Established in 1974 as a single bearing shop in Durban, South Africa; BMG's aggressive growth strategy has included acquisitions, supplemented by a steady organic growth discipline. BMG attracts best-of-breed talent resulting in technical expertise that differentiates BMG in the industry. Staff are truly part of the BMG family and its success.

BMG boasts an accredited in-house technical and commercial training academy which fosters a culture of staff development and career advancement; it's all about sustainability.

The net result, is a company that reliably supplies and supports 70 000 customers in 15 countries with the widest range of industrial engineered products and expert services in Africa via 105 branches.

BMG is positioned to deliver bespoke 360 degree solutions to its customers, and subsequently return on investment to its investors and shareholders. BMG plays a pivotal role in supporting the productivity and production targets of all Industrial, Manufacturing, Mining and Agricultural sectors of the economies in the countries it serves. With an enviable reputation as Africa's largest distributor, manufacturer and service provider of the highest quality engineering consumables and components; including

- Bearings & Seals
- Power Transmission Components
- Drives, Motors and Controllers
- Hydraulics, Pneumatics and Filtration
- Heavy and Light Duty Materials Handling
- Valves and Lubrication
- Fasteners, Gaskets and Tools

BMG is a level 4 BEE contributor with ISO 9001 Quality Assurance certification. Health and safety of its employees and customers is a paramount focus and the company adheres to ISO 45001. BMG is also committed to environmental care and sustainability and strictly follows the ISO 14001 charter.

As a key contributor to the Invicta Holdings stable, BMG has played a major part in Invicta's unique achievement of being rated in South Africa's Top 100 Companies for 21 consecutive years.



# TABLE OF CONTENTS

## INDEX

Bianca - Butterfly Valve DN 32 - 900	1-8
Bianca - Butterfly Valve	9-13
Desponia - Butterfly Valve	14-18



# BIANCA - BUTTERFLY VALVE DN 32 - 900

## Description

Centric butterfly valve, Fluoroplastic lined for shut-off and control service in aggressive and corrosive fluids and high purity applications. Designed and manufactured in Switzerland for over 20 years.

### Product Features

<b>Body Construction</b>	B1 Wafer DN 32-600 B3 Lug DN 32-400 B4 U-section DN 450-900
<b>Face to Face Dimension</b>	According to ISO 5752/20, EN 558-1/20
<b>Top Flange</b>	According to EN ISO 5211
<b>Maximum Working Pressure</b>	16 bar (DN32-150) (DN200-300 Super Duplex disc) 10 bar (DN200-300) 6 bar (DN350-900)
<b>Flange Connection</b>	PN10, PN16, ANSI cl. 150 AS 2129 table D + E, JIS 10K and others
<b>Temperature Range</b>	-20°C ÷ 200°C according to working conditions, other temperatures on request
<b>Factory Tests</b>	Porosity check of the liner and overmoulded disc according to DIN EN 60243-1. Test certificates on request. Tightness test according to EN 12266-1 leakage rate A. The torque of each valve is recorded.
<b>CE</b>	BIANCA butterfly valves meet the safety requirements of the Pressure Equipment Directive 2014/68/EU (PED) appendix 1 for fluids of the groups 1 and 2.
<b>SIL</b>	BIANCA Butterfly valves are suitable to be operated in safety related systems according to IEC 61508 / 61511. Safety Integrity Level SIL 3.
<b>EX</b>	Special versions of the Bianca valves may be used in potentially explosive atmospheres.
TA-Luft FDA and EC 1935/2004	EN ISO 15848 as an available option. The Teflon® used for the Bianca is in compliance with FDA and EC 1935/2004.



**B1**  
Wafer

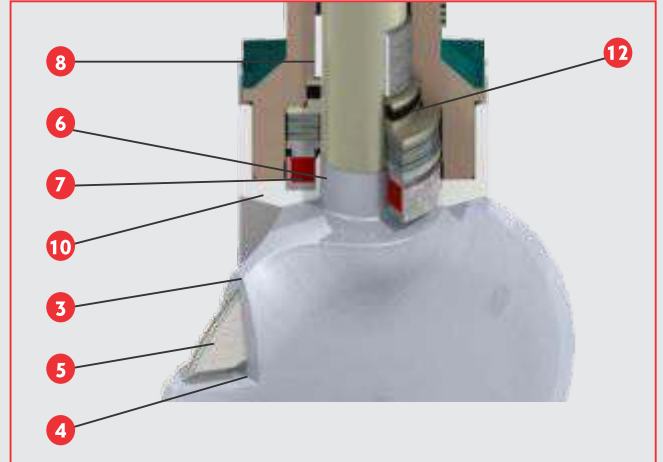
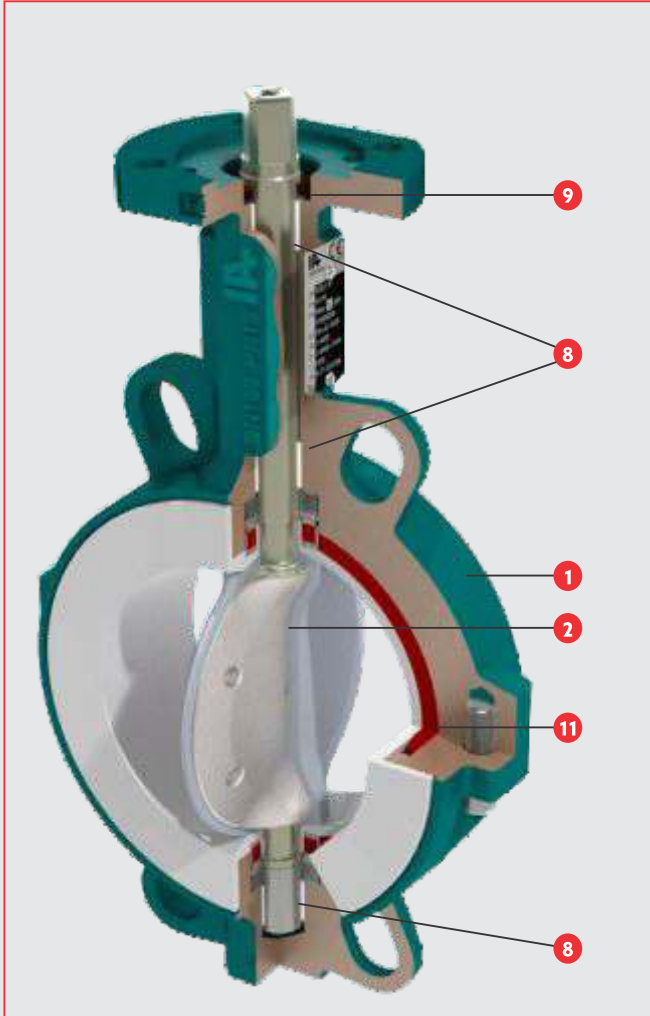


**B3**  
Lug



**B4**  
U-section

## Construction



<b>1</b>	Two-piece body in ductile iron EN-JS 1025
<b>2</b>	One-piece, blow out proof disc/shaft
<b>3</b>	Overmoulding with a min. thickness of 3 mm
<b>4</b>	Overmoulding is mechanically locked on the disc
<b>5</b>	Thin core, allows high $k_v$ flow rate
<b>6</b>	Shaft overmoulded in the shaft sealing area
<b>7</b>	Life loaded safety shaft sealing
<b>8</b>	Self-lubricating shaft bushing
<b>9</b>	External shaft seal
<b>10</b>	Chambered liner, prevents radial cold-flow
<b>11</b>	Elastomer backliner, immersed in body
<b>12</b>	TA-Luft VDI 2440 / EN ISO 15848 packing optional

## BIANCA HP Cleanroom Production



Cleansing the Parts with Ultrapure Water



Material Lock



Assembly, Testing, Packaging in Clean Room Class 10'000 / ISO Class 7



Thightness Test with Ultrapure Air

Torques																			
DN	32/40	50	65	80	100	125	150	200	250	300	350	400	450	500	600	700	750	800	900
Nm	21	25	39	43	73	87	146	189	330	476	675	900	1100	1300	1750	2100	2500	3100	4000

**NOTE:** PTFE liner, safety factor included

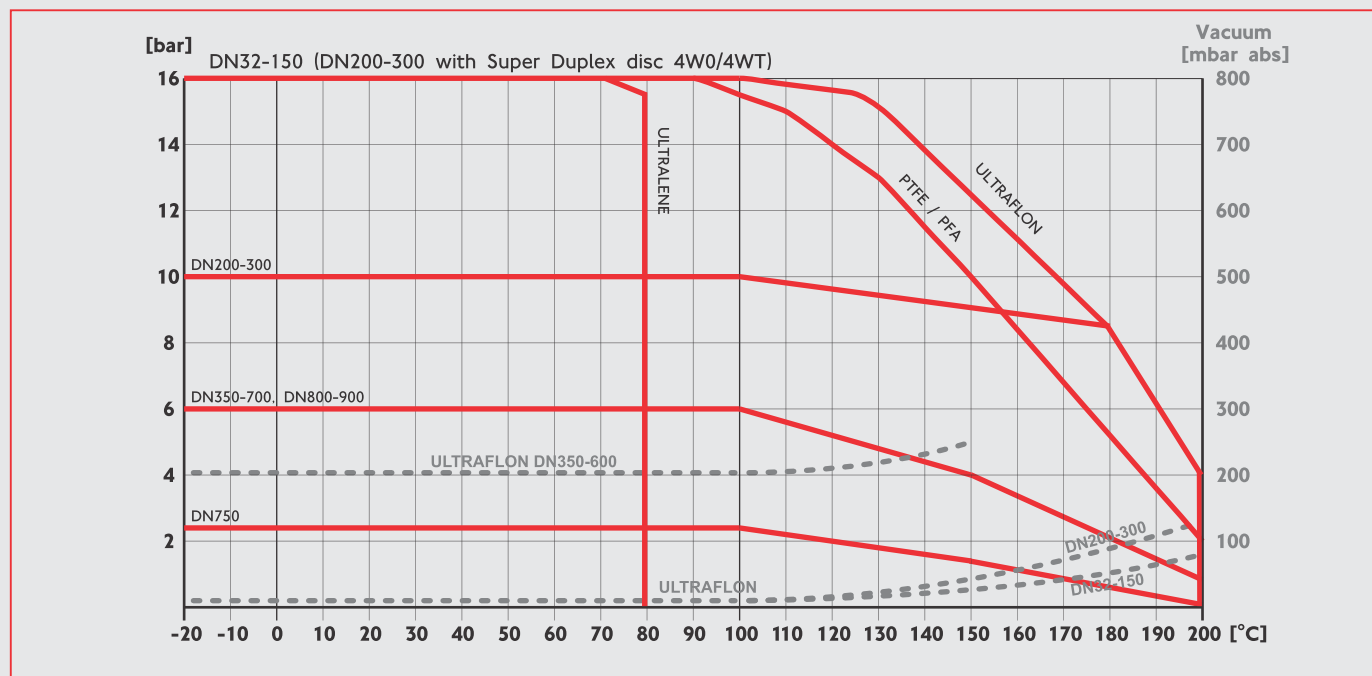


# BIANCA - BUTTERFLY VALVE DN 32 - 900

Kv Values m <sup>3</sup> /h								
DN	20°	30°	40°	50°	60°	70°	80°	90°
32/40	4	8	17	30	45	65	85	95
50	5	11	24	42	64	92	118	134
65	8	19	41	70	108	155	200	227
80	15	33	72	125	190	270	335	392
100	20	48	95	162	255	385	485	585
125	38	82	165	255	455	645	815	1015
150	60	130	235	395	645	955	1220	1495
200	95	230	465	795	1180	1815	2410	3050
250	175	350	710	1160	1610	2420	3650	4510
300	265	522	995	1720	2665	3965	5960	7210
350	350	660	1180	1800	2880	4550	7180	8760
400	510	985	1480	2450	4230	6550	9250	11350
450	665	1255	2230	3850	6250	9200	12250	14900
500	890	1620	2980	5350	8150	11800	15560	18000
600	970	2150	4180	7420	11350	16450	21200	24500
700	1060	2560	4868	8412	14359	23901	37638	48633
750	1217	2939	5588	9675	16484	27437	43207	55829
800	1402	3328	6351	11169	19073	32074	51820	63905
900	1915	4259	7897	13849	23887	41112	66771	81016

**NOTE:** Opening Angle of the Valve

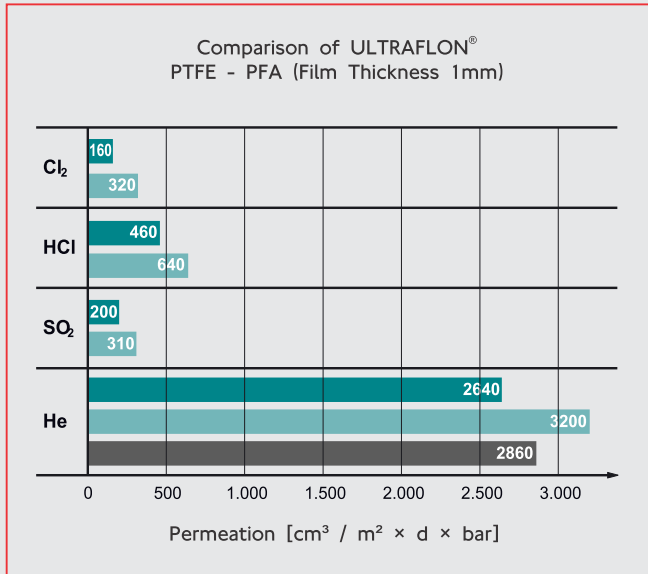
## Pressure/Temperature Diagram



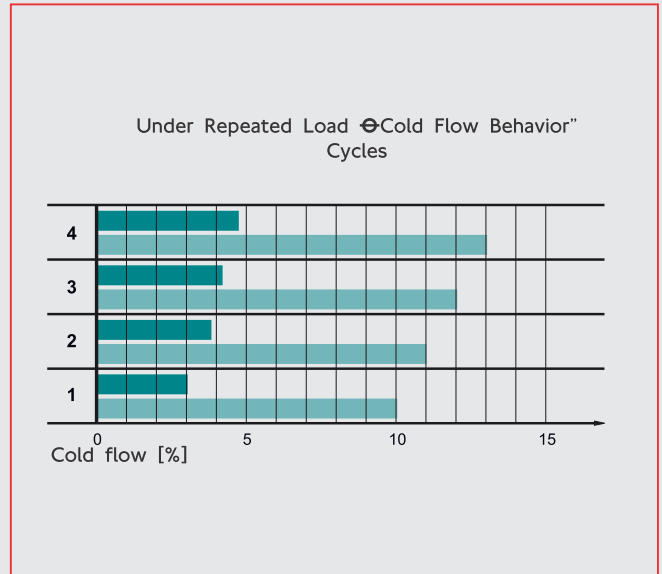
**NOTE:** Please Consult our Technical Department for Higher Temperatures.

## Advantage of ULTRAFLO<sup>®</sup> Liner

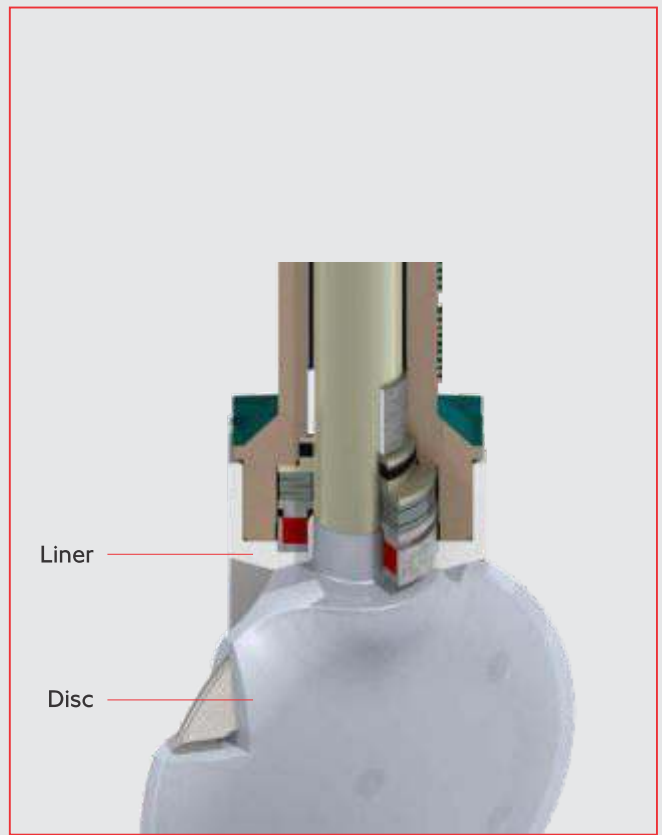
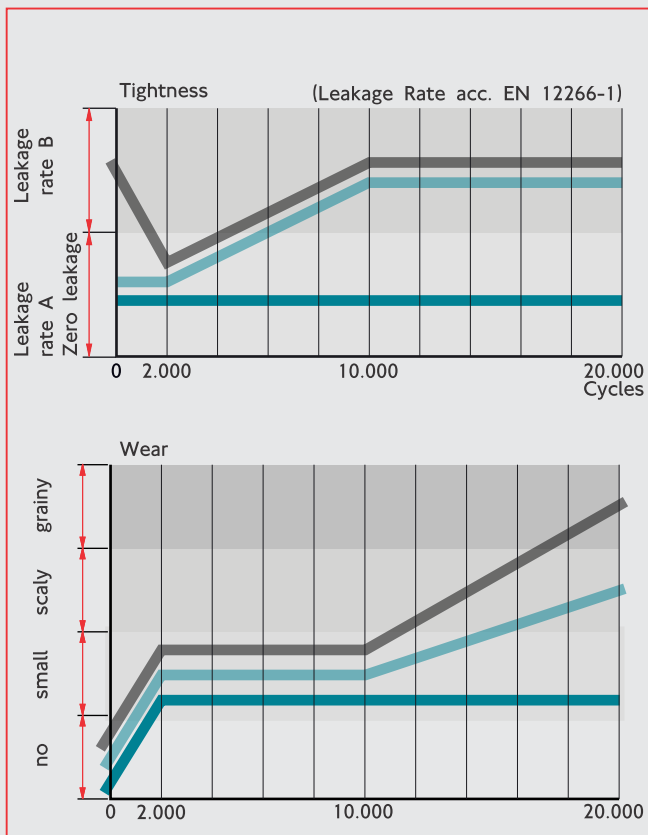
### Permeation



### Deformation



### Endurance Test (Tightness)






# BIANCA - BUTTERFLY VALVE DN 32 - 900

## Type Code

<b>B1</b>	<b>0100</b>	<b>3</b>	<b>3</b>	<b>2BE</b>	<b>4GT</b>	<b>T*</b>	<b>E</b>	<b>xx</b>
<b>1</b>	<b>2</b>	<b>3</b>	<b>4</b>	<b>5</b>	<b>6</b>	<b>7</b>	<b>8</b>	<b>9</b>

<b>Body Type (1)</b>	<b>B1</b>	Wafer	DN32-600
	<b>B3</b>	LUG Body	DN32-400
	<b>B4</b>	U-section Body	DN450-900
<b>Nominal Diameter (2)</b>	<b>0032-0900</b>	mm	
<b>Working Pressure (3)</b>	<b>0</b>	2.5 Bar	DN750, 6 bar with 4LT disc
	<b>1</b>	6 Bar	DN350-700, DN800-900
	<b>2</b>	10 Bar	DN200-300
	<b>3</b>	16 Bar	DN32-150 DN200-300 with disc 4W0/4WT
<b>Flange Connection (4)</b>	<b>**</b>	PN10/16/ANSI B16.5 CL150 see table below; others are available on request	
<b>Body (5)</b>	<b>2BE</b>	Ductile iron EN-JS 1025 / EN-GJS-400-18LT / ≈ ASTM A395 60-40-18, Epoxy Coated 80 μm	
	<b>4B0</b>	Stainless Steel 1.4409 / ≈ ASTM CF3M	DN32-400
<b>Disc-shaft, One Piece (6)</b>	<b>4G0</b>	Stainless Steel 1.4408 / ≈ ASTM CF8M	DN32-300
		Stainless Steel 1.4404 / ≈ AISI 316L	DN350-900
	<b>4GP</b>	Stainless Steel 1.4408 / ≈ ASTM CF8M Polished Ra < 0.8	DN32-300
		Stainless Steel 1.4404 / ≈ AISI 316L Polished Ra < 0.8	DN350-900
	<b>4GJ</b>	Stainless Steel 1.4435 / ≈ AISI 316L, Ferrite < 1%, e-polished Ra < 0.4	DN32-250
	<b>4GT</b>	Stainless Steel PFA Overmoulded	DN32-300 (>300 on request)
	<b>4W0</b>	Super Duplex 1.4469 / ≈ ASTM A 890 Grade 5A	DN32-300, 16 bar
	<b>4WT</b>	Super Duplex 1.4469 / ≈ ASTM A 890 grade 5A PFA Overmoulded	DN32-300, 16 bar
	<b>4LT</b>	Stainless Steel PFA Overmoulded	DN 750, 6 bar
	<b>3BT</b>	Disc Carbon Steel PFA overmoulded, Shaft Stainless Steel	DN350-900
	<b>**A</b>	PFA Antistatic (No FDA and EC 1935/2004 Compliance)	
	<b>7H0</b>	Hastelloy 2.4819 / ≈ Hastelloy C276	DN50-300 (others on request)
	<b>7T0</b>	Titanium 3.7035, Grade 2	(on request)
<b>Liner (7)</b>	<b>T*</b>	PTFE (* for Elastomer Backliner)	
	<b>T*V</b>	ULTRAFLO <sup>®</sup> (UF) for vacuum, chlorine or high temperature applications	
	<b>T*A</b>	PTFE antistatic (Black with FDA & EC 1935/2004 Compliance)	
	<b>T*VA</b>	ULTRAFLO <sup>®</sup> Antistatic (Black with FDA & EC 1935/2004 Compliance)	
	<b>U*</b>	Ultralene (UHMWPE) for Abrasive Applications, Maximum 80°C	DN 80, 100, 150, 200
<b>* Elastomer Backliner (8)</b>	<b>S</b>	MVQ	
	<b>E</b>	EPDM	
	<b>V</b>	FPM	
<b>Special Execution (9)</b>	<b>LF</b>	Without Painting Adhesion Interfering Substance	
	<b>HP</b>	High Purity: The Valve is Cleaned, Assembled, Tested and Packaged under Cleanroom Conditions. (US Federal Standard 209b, Class 10000, ISO Class 7 (ISO 14644-1))	
	<b>112/246</b>	ATEX/IECEx: See Corresponding Document: InterApp Butterfly Valves for use in Potentially Explosive Atmospheres	
	<b>180</b>	TA-Luft VDI 2440 / EN ISO 15848	

### \*\*Flange connection)

BIANCA		DN →	32	40	50	65	80	100	125	150	200	250	300	350	400	450	500	600	700	750	800	900		
	<b>B1</b>	PN10	3										2											
		PN16	3										A											
		ANSI cl.150		3										A										
	<b>B3</b>	PN10	3					2																
		PN16	3										A											
		ANSI cl.150		A										A										
	<b>B4</b>	PN10															2					2		
		PN16															3					3		
		ANSI cl.150															A							

**NOTE:** When mounting the valve at the end of a line, see below

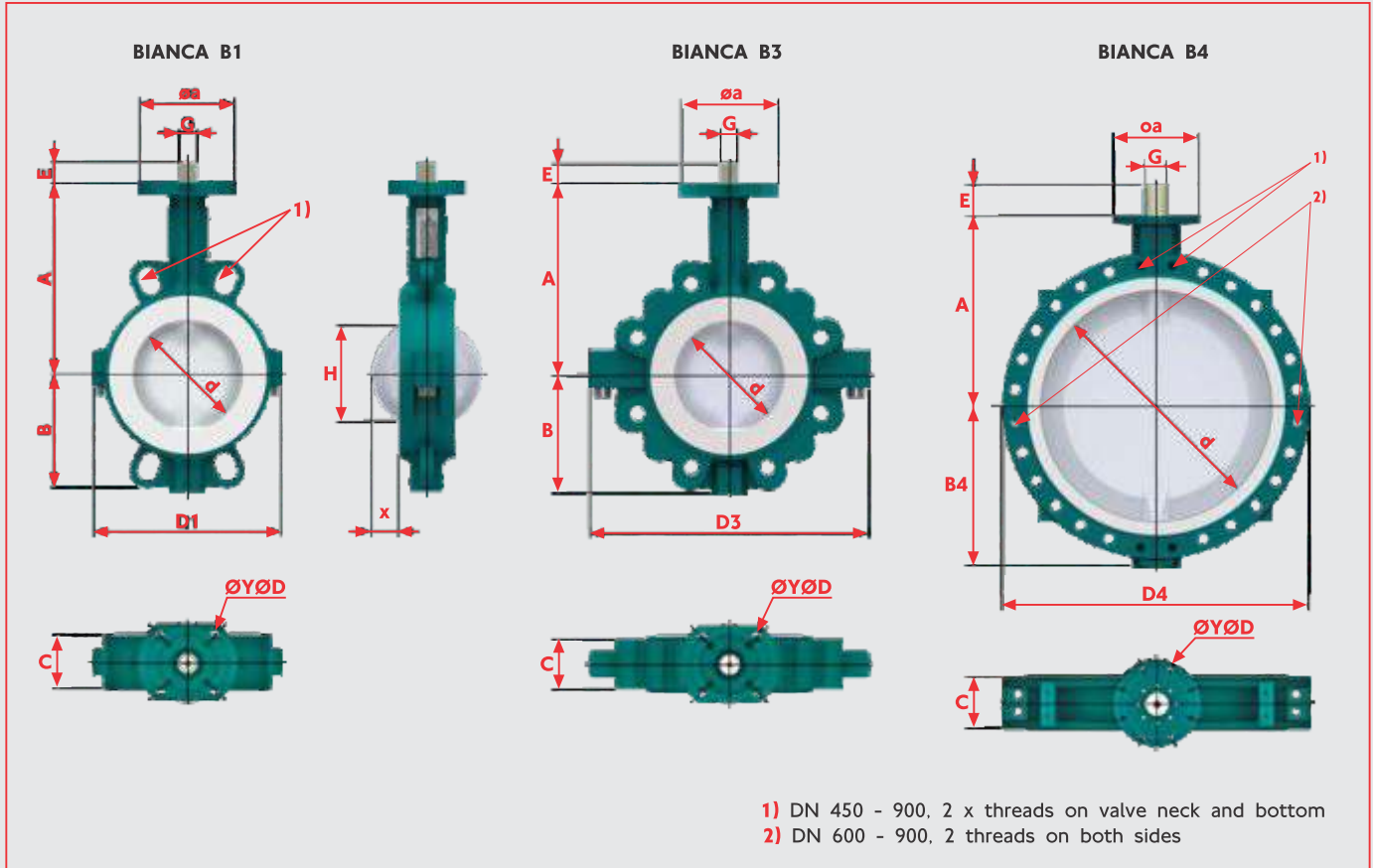
<b>Body Type</b>	Lug B3
<b>Temperature</b>	10 + 60±C
<b>Medium</b>	only for non-hazardous liquids
<b>No Water Hammer!</b>	

Maximum Working Pressure	
DN32-150	8 bar
DN200-300	6 bar
DN350-400	4 bar



# BIANCA - BUTTERFLY VALVE DN 32 - 900

## Dimensions



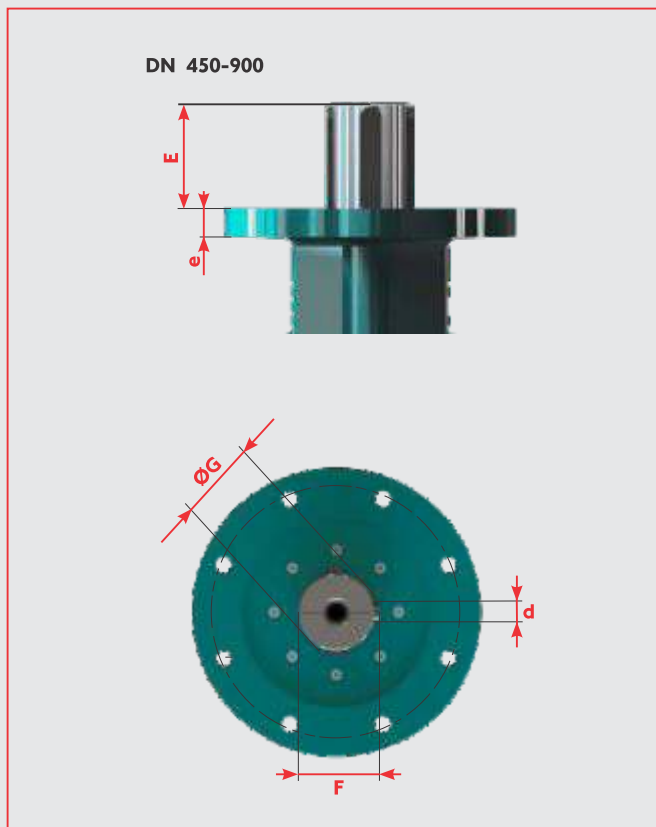
DN	d	A	B	B4	C	H	X	D1	D3	D4	ISO	a	y	b	G	E	B1	B3	B4
																	kg	kg	kg
32/40	40	125	69	-	33	23	4	105.8	136	-	F05	65	4x7	50	11	12	1.7	2.4	-
50	50	134	68	-	43	26	9	118.4	162	-	F05	65	4x7	50	11	12	2.3	3.2	-
65	65	145	78	-	46	39	7	132.5	170	-	F05	65	4x7	50	11	12	2.9	4.1	-
80	80	160	92	-	46	66	17	144	216	-	F05	65	4x7	50	11	12	3.4	6.2	-
100	100	175	107	-	52	86	24	173	254	-	F05/07	90	4x7/9	50/70	14	16	5.1	9.3	-
125	125	194	120	-	56	112	35	219	293	-	F05/07	90	4x7/9	50/70	14	16	6.9	10.7	-
150	150	210	134	-	56	140	47	247	315	-	F07	90	4x9	70	17	19	10	12.9	-
200	200	239	162	-	60	191	70	295	389	-	F07/F10	125	4x9/11	70/102	17	19	14.1	22.3	-
250	250	275	199	-	68	241	91	367	483	-	F10	125	4x11	102	22	24	22.9	32.4	-
300	300	310	230	-	78	290	111	419	543	-	F10	125	4x11	102	22	24	32.9	46.9	-
350	339	349	254	-	78	330	131	428	564	-	F12	155	4x 13.5	125	27	40	50	87	-
400	400	379	287	-	102	387	149	473	620	-	F12	155	4x 13.5	125	27	40	68	98	-
450	450	426	320	320	114	436	168	528	-	630	F14	175	4x 18	140	Ø45	65	100	-	140
500	500	451	360	360	127	484	187	588	-	700	F14	175	4x 18	140	Ø45	65	122	-	175
600	600	555	415	415	154	580	223	686	-	820	F16	210	4x 22	165	Ø60	90	180	-	275
700	703	605	-	482	165	684	269	-	-	930	F16	210	4x 22	165	Ø72	80	-	-	423
750	750	629	-	489	190	726	280	-	-	970	F16	210	4x 22	165	Ø60	91	-	-	383
800	803	658	-	550	190	781	307	-	-	1060	F25	300	8x 18	254	Ø80	108	-	-	670
900	900	710	-	602	203	877	349	-	-	1160	F30	350	8x 22	298	Ø98	128	-	-	880

**NOTE:** Dimensions X and H are without safety factors!  
The customer must define safety distances to allow proper installation of the valve.

# BIANCA - BUTTERFLY VALVE DN 32 - 900

## Dimensions

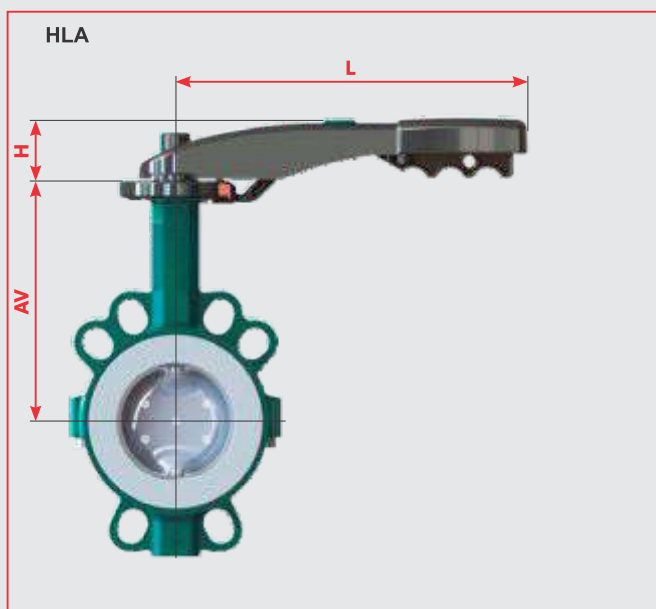
Top Flange according to ISO 5211



Wafer, Lug and U-section					
Size	E	ØG	d	e	F
450	65	45	14	9	48,8
500	65	45	14	9	48,8
600	90	60	18	11	64,4
700	80	72	20	12	76,9
750	91	60	18	11	64,4
800	108	80	22	14	85,4
900	128	98	28	16	104,4

## Dimensions

Handlever

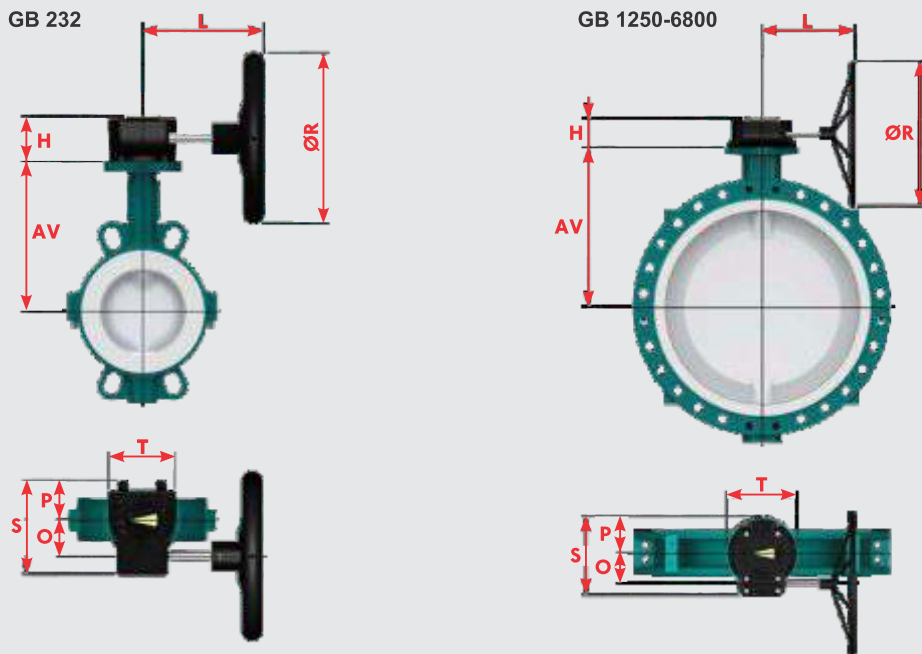


HLA: Aluminum Epoxy Coated					
DN		AV	H	L	[kg]*
32/40	HLA.F0511.180K	125	41	180	0.4
50	HLA.F0511.240K	134	43	240	0.5
65	HLA.F0511.240K	145	43	240	0.5
80	HLA.F0511.240K	160	43	240	0.5
100	HLA.F0714.340K	175	51	340	0.6
125	HLA.F0714.340K	194	51	340	0.6
150	HLA.F0717.340K	210	51	340	0.6

\*[kg] weight without butterfly valve

## Dimensions

### Gearbox



DN		AV	H	L	O	P	R	S	T	n**	[kg]*
32/40	GB232-05.F05-F0711.100	125	53	126	42,5	48	100	114	80	10	0,8
50	GB232-05.F05-F0711.100	134	53	126	42,5	48	100	114	80	10	0,8
65	GB232-05.F05-F0711.100	145	53	126	42,5	48	100	114	80	10	0,8
80	GB232-05.F05-F0711.100	160	53	126	42,5	48	100	114	80	10	0,8
100	GB232-05.F05-F0714.100	175	53	126	42,5	48	100	114	80	10	0,8
125	GB232-05.F05-F0714.100	194	53	126	42,5	48	100	114	80	10	0,8
150	GB232-06.F05-F0717.160	210	59	189	42,5	48	160	114	80	10	0,9
200	GB232-06.F05-F0717.160	239	59	189	42,5	48	160	114	80	10	0,9
250	GB232-08.F07-F1022.250	275	67	219	50	56	250	131	100	9,25	1,55
300	GB232-08.F07-F1022.250	310	67	219	50	56	250	131	100	9,25	1,55
350	GB232-13.F10-F1227.300	349	85	371	80	83	300	209	175	10	5,4
400	GB232-13.F10-F1227.400	379	85	371	80	83	300	209	175	10	5,4
450	GB880N.F1445.500	426	92	305	86	101	500	227	200	9,5	14
500	GB880N.F1445.500	451	92	305	86	101	500	227	200	9,5	14
600	GB1250N.F1660.500	555	102	346	104,5	110	500	258	220	13,75	22
700	GB1950N.F1672.600	605	126	387	130	142,5	600	322,5	285	13	32
750	GB1950N.F1660.700	629	126	387	130	142,5	700	322,5	285	13	32
800	GB2000NLB.F2580.500	658	120	348	53	142	500	300	285	27	27
900	GB6800N/PR4.F3098.400	710	159	470	182	170	400	407,5	370	81,5	63

### Material:

GB 232 Aluminum, Polyurethane coated

GB1250-GB6800 GG 25 Polyurethane coated

\* [kg] weight without butterfly valve and handwheel

\*\* n = Handwheel turns ON/OFF

## Further Documentation

Pneumatic actuators, Electric actuators, Accessories please see respective data sheets.

Installation guide, Maintenance guide, Flanges: Please consult these guides for installation and maintenance of our butterfly valves.

# BIANCA - BUTTERFLY VALVE



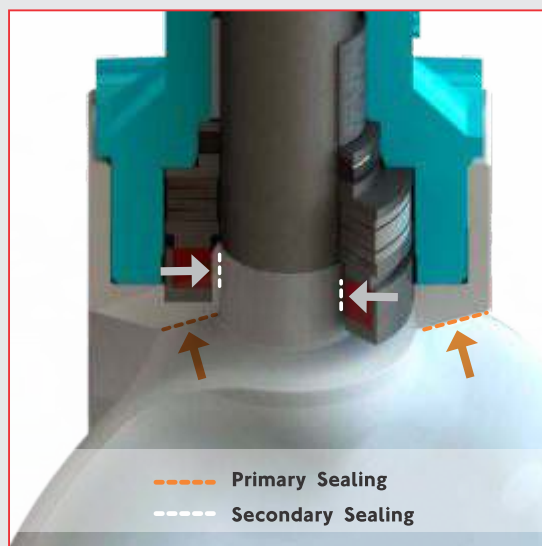
Bianca is the centric PTFE-lined butterfly valve for corrosive fluids and high-purity applications, available in the sizes DN 32 to DN 900.

Designed and manufactured for over 20 years in Switzerland, Bianca is built for long-lasting use in highly demanding media and environments.

In order to cover the requirements of various industries, Bianca is available with a ductile iron and stainless steel body. Thanks to the range of conductive disc and liner materials, it can even be used in explosive environments.

The high availability of semi-finished components enables short delivery times, even on large sizes up to DN 900.

The high liner collar, the PFA disc overmoulding on the shaft as well as a lifetime preloaded safety shaft sealing guarantee both excellent primary and long-lasting secondary shaft sealing, even for greater operating cycles and at high temperatures.



## Superior Technical Features for Outstanding Performance

ISO Top Flange for Modular Actuator Mounting

Stainless Steel Valve Label according to EN 19 for Full Traceability

Reliable Shaft Sealing System thanks to:

- Safety Shaft Sealing
- High Liner Collar
- Shaft PFA overmoulded

Increased Service Life thanks to the Chambered Liner, which Prevents Cold Flow at the Flange Sealing Surface

Total Diffusion Resistance thanks to PFA Disc Overmoulding of 3 mm minimum.

Centring Holes Covering Multiple Flange Connections

External Shaft Sealing to Protect the Valve Neck Hole

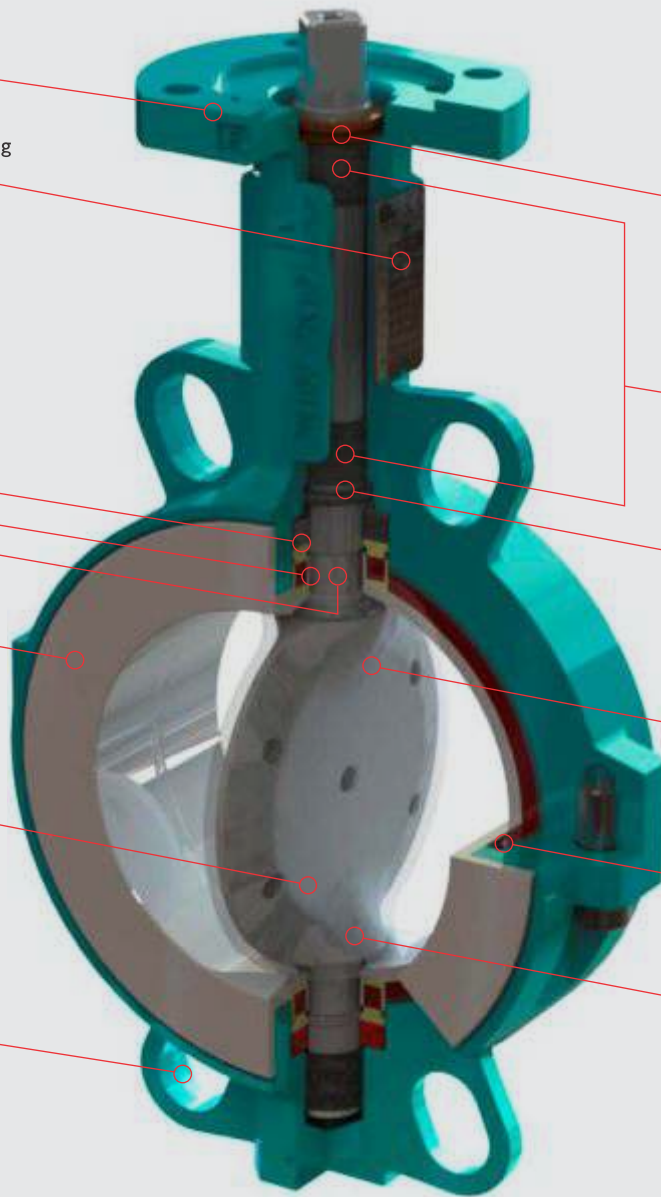
High-Performance Self-Lubricating and Maintenance-Free Bushing

Optional TA-Luft Packing

Low Friction and Extended Service Life Thanks to PTFE Liner in Combination with PFA-overmoulded Disc

Minimum Deformation of the Liner due to the Elastomer Backliner Embedded in the Body

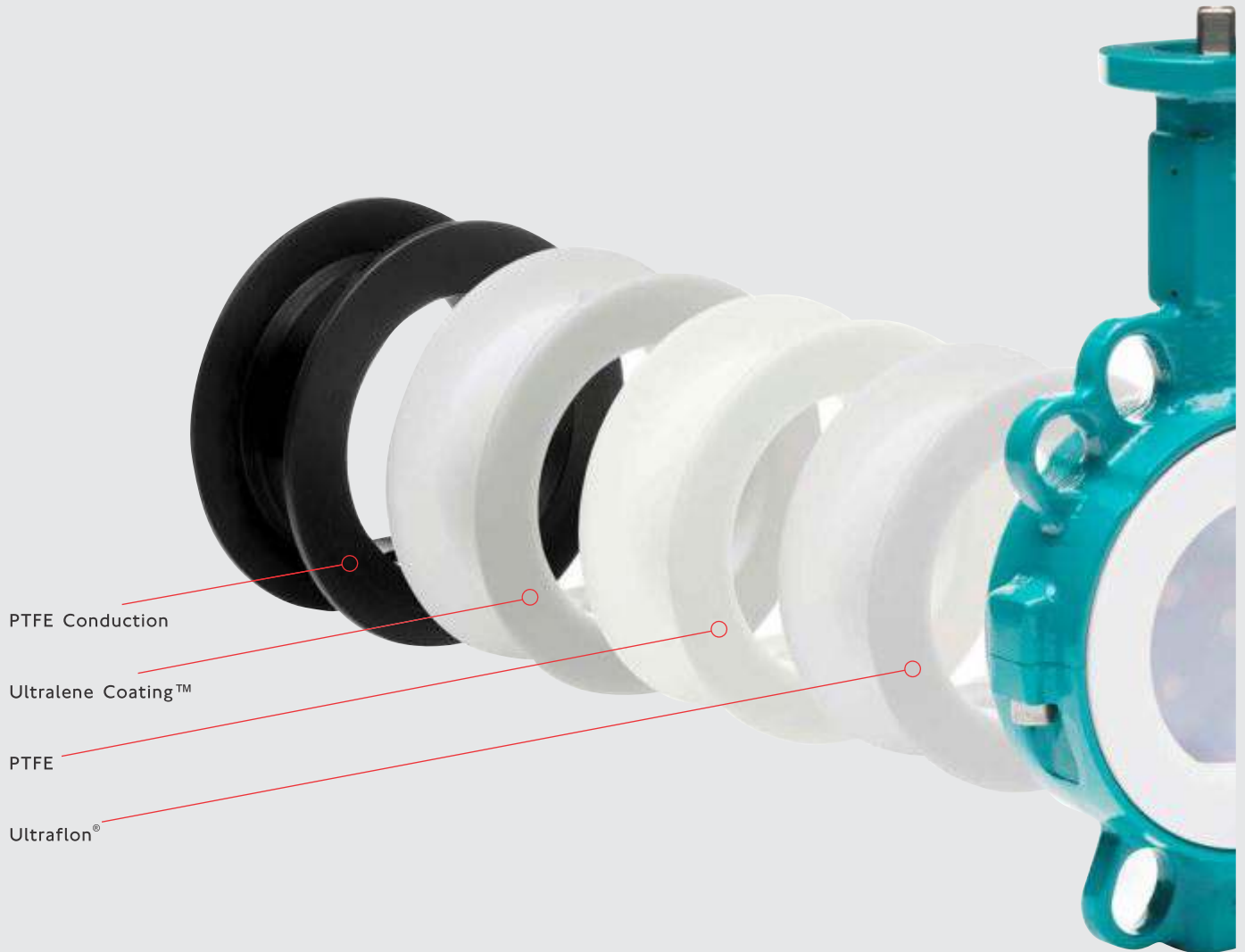
Blow-out Proof Shaft and Excellent KV values based on the One Piece Disc/Shaft



**PLEASE NOTE:** Fluoroplastomer according to FDA 177.1550 and EU no. 10/2011  
High-Purity' LABS-free and Executions for Explosive Atmospheres Available

# BIANCA - BUTTERFLY VALVE

For Every Application the Right Combination of Materials





# BIANCA - BUTTERFLY VALVE



# BIANCA - BUTTERFLY VALVE

Designed and Built for Shut-off and Control of Corrosive Fluids as well as High-Purity Applications.



## Steel Industry

For highly corrosive processes, such as in pickling lines, only fluoroplastomer lined butterfly valves can be used.



## Water Treatment

Bianca high purity is used where absolute purity is essential and the smallest impurities have to be avoided, like in the semiconductor industry.



## Mining & Slurry

Applications such as acid and solvent extraction of metals and aggressive slurries.



## Oil & Gas

For auxiliary processes such as the processing of additives, Bianca is the right choice thanks to its exceptional chemical resistance and robustness.



## Life Science

Safety, high purity and sterility are paramount when it comes to applications within the life science segment.



## Chemical Process

Reliability and safety in demanding applications such as production, distribution and surface treatment.



## Power Generation

Products that are superior in terms of durability, performance, reliability and resistance in slightly abrasive conditions.



## Multi-purpose, Modular and State-of-the-Art

Desponia and Desponia plus are centric butterfly valves with an elastomer liner, designed and built for long-lasting use in highly demanding environments. Engineered and manufactured for more than 30 years in Spain, they represent the core of InterApp's comprehensive portfolio of industrial valves.

Desponia is available in sizes ranging from DN 25 up to DN 1600 and pressures up to 16 bar, thus offering the ideal solution for all kinds of industrial applications.

Desponia plus is available from DN 25 up to DN 600 and recommended for high-pressure applications up to 20 bar, high-temperature applications, process automation or vacuum applications.

Whereas Desponia can be supplied with a cast iron and ductile iron body, Desponia plus offers the possibility to choose between a body made of ductile iron, carbon steel, cast iron or stainless steel.

The resistant body and robust liner available in many different materials, as well as the large range of different disc materials to choose from, means that Desponia and Desponia plus are truly state-of-the-art industrial valves.

The liner and disc play a crucial role in elastomer-lined butterfly valves, as they are the only two parts in contact with the fluid. InterApp's technical knowledge and project management expertise ensure the right materials are used for a diverse range of applications.



## Butterfly-Valve desponia



From the specially developed family of Flucast® liners for abrasive applications to FDA and EU regulation No. 1935/2004, approved white and blue rubbers InterApp offers a wide range of high-performance elastomers.

Whether with Ultralene Coating™ or polished stainless steel with smooth shaped edges, the Desponia and Desponia plus discs are always designed and manufactured to meet the highest quality standards.

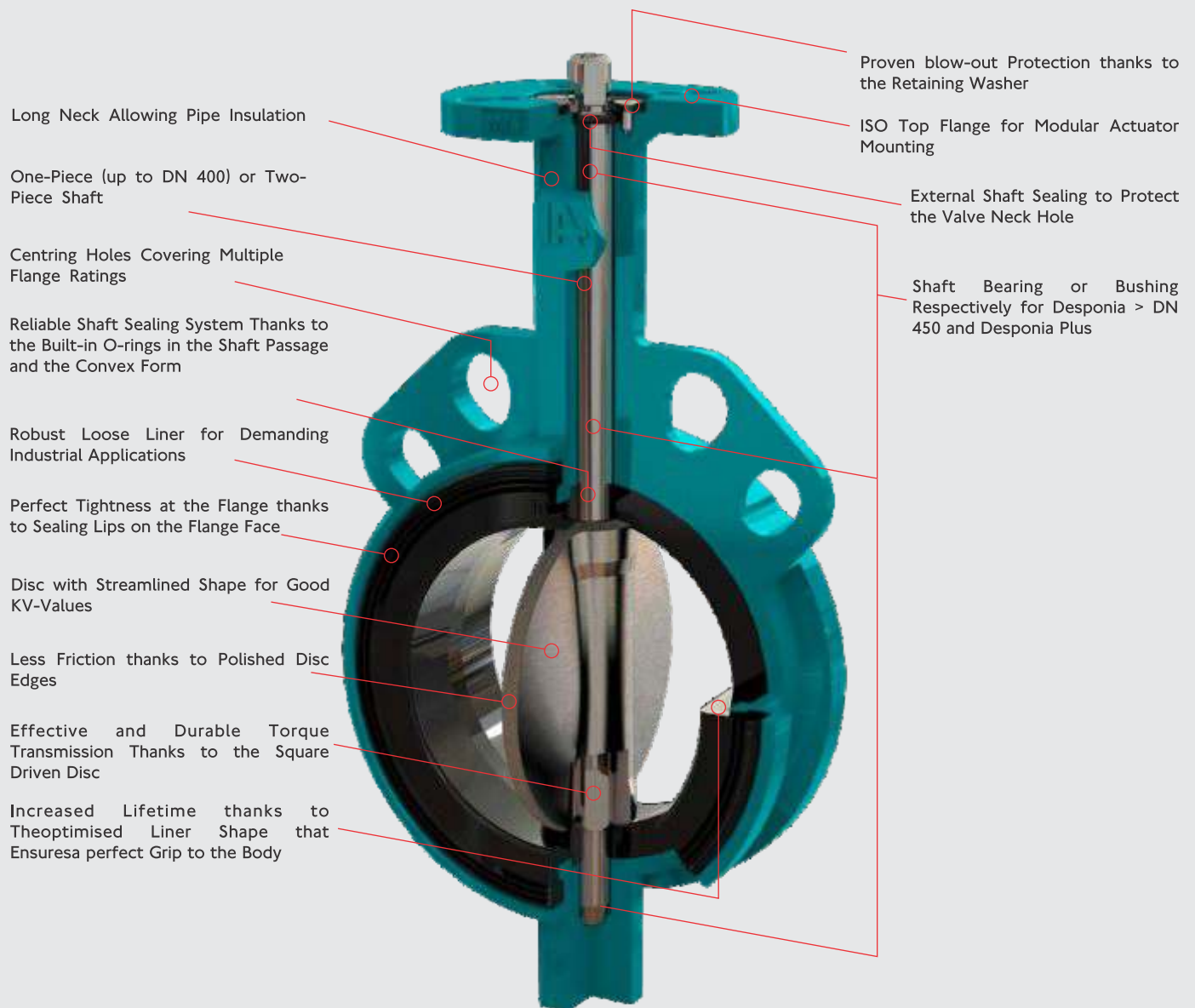


\* FDA and EU No. 1935/2004



# DESPONIA - BUTTERFLY VALVE

## Robust Design and High Performance







SIAAP has been purifying water for the more than eight million people living in the Greater Paris area since 1970. Its main aim is to protect the Seine and Marne rivers while constantly improving the treatment of waste water. When SIAAP needed to build a new nitrification unit at the purification plant in Achères, west of Paris, the OTV-DEGT consortium was tasked with planning, developing and implementing the project.

Today, the Achères plant is one of the largest and most modern nitrification plant in Europe. The volumes of waste water treated at this unit are impressive: 20 m<sup>3</sup>/s during periods of dry weather, 45 m<sup>3</sup>/s on rainy days and up to 52 m<sup>3</sup>/s at peak times.

When the project was put out to tender, InterApp was awarded the contract to develop, manufacture and supply the butterfly valves because of its proprietary technology, experience in handling large-scale projects and outstanding customer service.

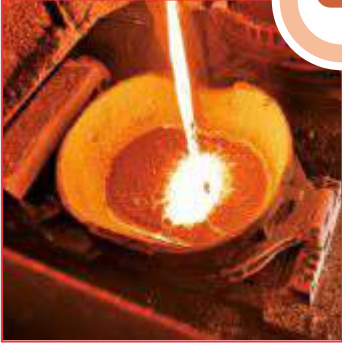
One of the challenges at this station equipped with filter systems was the need for accurate and simultaneous cell-by-cell operating times to comply with treatment procedures. Also, InterApp had to come up with a solution that prevented the polystyrene globules in the water from escaping whenever the filters have to be emptied.

Based on its proprietary Desponia butterfly valves, InterApp developed and implemented a system designed to the specific requirements of the nitrification plant at Achères. InterApp supplied a total of 1,686 butterfly valves, including more than 600 with over DN 800, both manual and pneumatic, to fit the Biostyr<sup>®</sup> OTV cells. A total of 252 butterfly valves of DN 800 were specifically designed and built to prevent the polystyrene globules from escaping.

The OTV-DEGT consortium benefited from InterApp's experience in handling large-scale projects with ultra-short response times.

By offering a comprehensive package with both proprietary InterApp and third-party products, the OTV-DEGT consortium was able to obtain the most technologically advanced and cost-effective solutions available on the market.

## Designed and Built for Liquids and Gases in Industrial Applications



### Steel Industry

Shut-off valves, used to gas molten steel, are exposed to harsh conditions. The Desponia range ensures safe operation in this area due to the type of materials selected.



### Water Treatment

The ever-increasing complexity of processes in the water treatment market demands that valves are extremely reliable and durable. Desponia and Desponia plus meet these demands.



### Marine

Thanks to its outstanding reliability and international product certificates, Desponia is the preferred choice for marine applications such as ballast systems, scrubbers, etc.



### Oil & Gas

The Desponia range offers carbon steel bodies for the petrochemical, gas and oil industry. The valves withstand any environment and are used worldwide.



### Life Science

Safety is paramount for applications within the life science segment. For the food & beverage industry, Desponia offers special blue and white liners compliant with FDA and EU regulations.



### Chemical Process

Over the years, InterApp has developed discs and liners for demanding chemical-processing applications, e.g. Ultralene Coating™- and PEKK-coated discs combined with FPM liners.

# BRINGING THE WORLD'S BEST BRANDS TO YOU

In the bid to procure cutting-edge components at competitive prices, BMG is able to capitalise on long-standing relationships with leading manufacturers dedicated to excellence in design and production.

Products are imported from around the globe and brought to BMG's strategically located distribution facilities and regional service centres via the main distribution hub in Johannesburg - BMG World. A world-class facility boasting 308 000m<sup>3</sup> of fully stocked warehouse space, an accredited training facility and unlimited engineering capabilities.

## Preferred Brands:



## Our Extensive Coverage Throughout Africa

**105**  
BRANCHES



Products and services are distributed via BMG's extensive distribution network. It's through the sheer size and reach of our infrastructure, that BMG can be found wherever industry has established itself; delivering the correct components at the right time, to the far-flung coalface of our customers' operations.

- Over 300 000 product line items
- Around 4 500 transfers per day out of BMG World in Johannesburg
- Over 1 000 tons of imported stock landing per month
- 105 strategically situated branches throughout Africa
- Vendor Managed Inventory sites (dedicated on-site stockholding)
- International exports
- Locally empowered distribution chains

# *Be* PART


24 HR TOLL-FREE EMERGENCY  
BRANCH HELPLINE:

**0800 022 224**

WEBSITE:

**[www.bmgworld.net](http://www.bmgworld.net)**



 An Invicta Holdings Group Company

BEARINGS • SEALS • POWER TRANSMISSION • DRIVES & MOTORS  
MATERIALS HANDLING • FASTENERS & TOOLS • HYDRAULICS  
PNEUMATICS • FILTRATION • LUBRICATION • VALVES  
TECHNICAL RESOURCES • FIELD SERVICES

