



IDLERS & ROLLERS

Technical Guide

BEE4
EMPOWERING SUPPLIER

ISO 9001	Certified
ISO 14001	Certified
ISO 45001	Certified

ABOUT US

Established in 1974 as a single bearing shop in Durban, South Africa; BMG's aggressive growth strategy has included acquisitions, supplemented by a steady organic growth discipline. BMG attracts best-of-breed talent resulting in technical expertise that differentiates BMG in the industry. Staff are truly part of the BMG family and its success.

BMG boasts an accredited in-house technical and commercial training academy which fosters a culture of staff development and career advancement; it's all about sustainability.

The net result, is a company that reliably supplies and supports 70 000 customers in 15 countries with the widest range of industrial engineered products and expert services in Africa via 105 branches.

BMG is positioned to deliver bespoke 360 degree solutions to its customers, and subsequently return on investment to its investors and shareholders. BMG plays a pivotal role in supporting the productivity and production targets of all Industrial, Manufacturing, Mining and Agricultural sectors of the economies in the countries it serves. With an enviable reputation as Africa's largest distributor, manufacturer and service provider of the highest quality engineering consumables and components; including

- Bearings & Seals
- Power Transmission Components
- Drives, Motors and Controllers
- Hydraulics, Pneumatics and Filtration
- Heavy and Light Duty Materials Handling
- Valves and Lubrication
- Fasteners, Gaskets and Tools

BMG is a level 4 BEE contributor with ISO 9001 Quality Assurance certification. Health and safety of its employees and customers is a paramount focus and the company adheres to ISO 45001. BMG is also committed to environmental care and sustainability and strictly follows the ISO 14001 charter.

As a key contributor to the Invicta Holdings stable, BMG has played a major part in Invicta's unique achievement of being rated in South Africa's Top 100 Companies for 21 consecutive years.



TABLE OF CONTENTS

INDEX

Introduction	1
Series 25 - 450mm Wide Conveyor	2
Series 25 - 500mm Wide Conveyor	3
Series 25 - 600mm Wide Conveyor	4
Series 25 - 750mm Wide Conveyor	5
Series 25 - 900mm Wide Conveyor	6
Series 25 - 1050mm Wide Conveyor	7
Series 25 - 1200mm Wide Conveyor	8
Series 25 - 1350mm Wide Conveyor	9
Series 25 - 1500mm Wide Conveyor	10
Series 25 - 1650mm Wide Conveyor	11
Series 25 - 1800mm Wide Conveyor	12
Series 25 - 2100mm Wide Conveyor	13
Series 25 - Tubular Frame	14
35 Degree Frame	14
20 Degree Frame	14
Series 25 - V-Return Idlers	15
Series 25 - Disc-Return Idlers	16
SABS Standards	16
Questionnaire	17



INTRODUCTION

BMG stocks a range of standard idler rolls suitable for belt widths of between 450mm and 2100mm. BMG also have the ability to supply end-users with any "non-standard" idler rolls within a realistic manufacturing turn around time.

BRANDING

BMG has absolute confidence in the product that we supply to the market; we have gone the extra mile and have branded the idlers with our own house brand, Belting Solutions.

STANDARDS

Belting Solutions Idlers are manufactured in strict compliance to:

SANS1313-1:2012, Conveyor belt idlers Part 1: Troughed belt conveyor idlers (metallic and non-metallic) for idler roller rotational speeds of up to 750 revolutions per minute.

SANS1313-2:2012, Conveyor belt idlers Part 2: Link suspended idlers and fixed-form suspended idlers (metallic and non-metallic) for idler rotational speeds of up to 750 revolutions per minute.

SANS1313-3:2012, Conveyor belt idlers Part 3: Performance specifications for troughed belt conveyor idlers (metallic and non-metallic) for idler roller rotational speeds of up to 750 revolutions per minute.

REQUIREMENTS

What would be required of an idler roll for it to comply with this standard?

The standard states minimum requirements for the idler. From dimensional requirements and wall thickness, to tests for sealing ability and the effectiveness of lubrication.

TESTS

What tests have our rolls gone through to ensure their acceptance to these standards?

Our idlers have been subjected, but not limited to the following tests:

- Measurement of the roll's dimensions.
- Peripheral run-out.
- Sealing ability and for the effectiveness of lubrication.
- Resistance to ingress of dust.
- Resistance to ingress of water.
- Effectiveness of lubrication.
- Running behavior of idlers.
- Assessment of breakaway mass.

How are these tests done?

The most important tests are the tests that check on the ability of the sealing arrangement, especially as an idler is only as good as its sealing arrangement, which protects the bearings from contamination.

There are effectively three tests that can make or break an idlers sealing arrangement. These tests are explained in detail below:

Resistance to ingress of dust, where the idlers roll is fitted with wing nuts, which disturb a fine abrasive dust (with a grain size not exceeding 38 µm) with content of at least 60% silicone oxide and at least 30% magnesium oxide.

Three rolls are mounted inside a closed container. The rolls are rotated at a speed equal to a belt speed that does not exceed 1m/s for a period of 96 hours.

The rolls are then removed from the container, cleaned and cut open to check if any dust has entered the rolls.

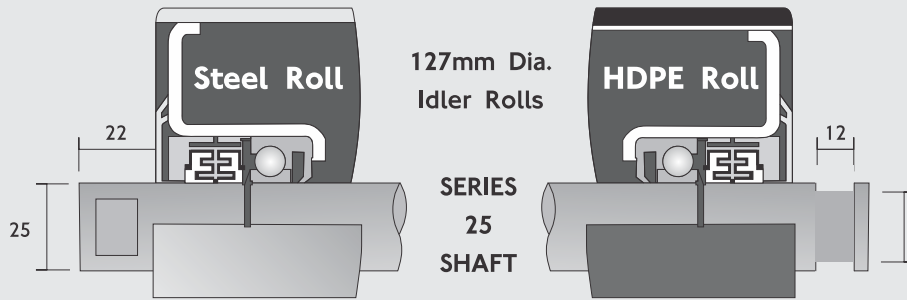
Resistance to ingress of water is where the mass of each roll is determined to the nearest gram prior to being mounted in a closed container that has been filled with tap water up to the middle of the rolls shaft.

The rolls are rotated at a speed equal to a belt speed that does not exceed 1m/s for a period of 96 hours. Every 24 hours the rolls are removed and weighed to measure any increase in mass (by water penetration).

The three rolls are removed from the water container and placed in a controlled environment for a 10 day period. The temperature is controlled at 20°C (±2°C) with a relative humidity of 65% (±6%), an air pressure of 86kPa – 106kPa, and an air speed below 1m/s.

After the 10 day period, the idler rolls are cut open and inspected for corrosion of all steel parts in the area of the seal and bearings, especially the contact running area of the bearing balls. Any division of the lubricant in the seals and bearings would be recorded and checked for compliance against the standard.

SERIES 25 - 450MM WIDE CONVEYOR



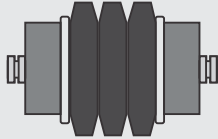
Troughing Roll Dimensions:

Part / Article Number:	T-ROLL STEEL 450
Face Length:	190 mm
Gauge Length:	200 mm
Roll Diameter:	127 mm
Approx. Roll Mass Steel:	4.41 kg
Approx. Roll Mass HDPE:	2.90 kg

Flat Return Idler Roll:

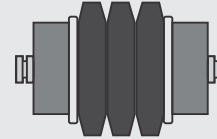
Part / Article Number:	T-ROLL STEEL 450
Face Length:	536 mm
Gauge Length:	546 mm
Roll Diameter:	127 mm
Approx. Roll Mass Steel:	9.74 kg
Approx. Roll Mass HDPE:	5.10 kg

Impact Idler Roll (133mm Dia):



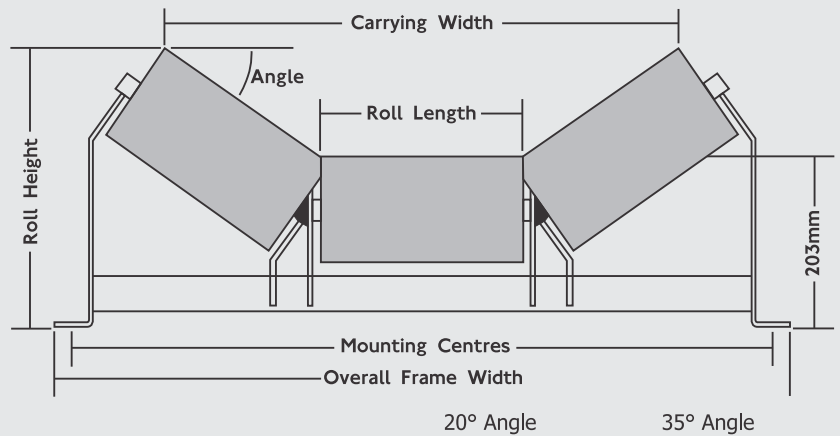
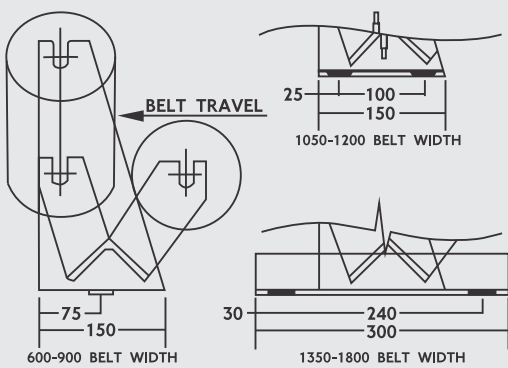
Part / Article Number:	IMPACT ROLL 450
Face Length:	190 mm
Gauge Length:	200 mm
Roll Diameter:	133 mm
Approx. Roll Mass:	4.56 kg

Impact Idler Roll (152mm Dia):

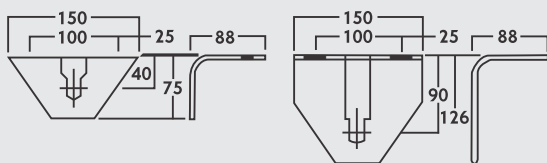


Part / Article Number:	IMPACT ROLL 450
Face Length:	190 mm
Gauge Length:	200 mm
Roll Diameter:	152 mm
Approx. Roll Mass:	5.40 kg

Frames and Brackets:



Return Drop Brackets

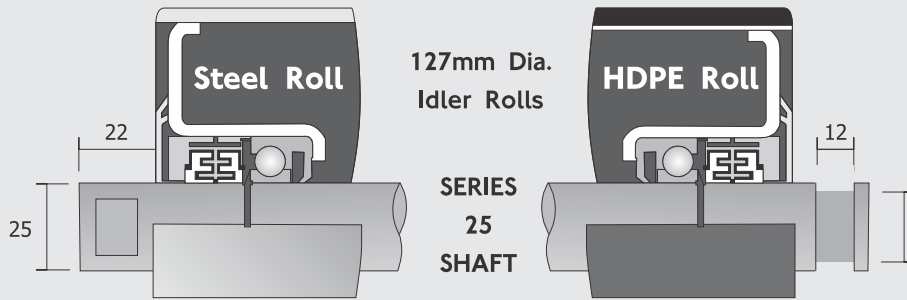


DROP BRACKET 40
1.15 kg

DROP BRACKET 90
1.27 kg

Part / Article Number:	T-FRAME-20 450	T-FRAME-35 450
Mounting Centres:	686 mm	686 mm
Roll Length:	190 mm	190 mm
Carrying Width:	528 mm	428 mm
Roll Height:	268 mm	312 mm
Overall Frame Width:	726 mm	726 mm
Overall Frame Mass:	6.83 kg	7.56 kg

SERIES 25 - 500MM WIDE CONVEYOR



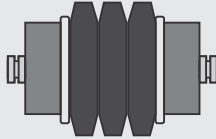
Troughing Roll Dimensions:

Part / Article Number:	T-ROLL STEEL 500
Face Length:	200 mm
Gauge Length:	210 mm
Roll Diameter:	127 mm
Approx. Roll Mass Steel:	4.6 kg
Approx. Roll Mass HDPE:	3.13 kg

Flat Return Idler Roll:

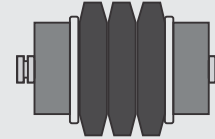
Part / Article Number:	T-ROLL STEEL 500
Face Length:	586 mm
Gauge Length:	596 mm
Roll Diameter:	127 mm
Approx. Roll Mass Steel:	9.6 kg
Approx. Roll Mass HDPE:	8.20 kg

Impact Idler Roll (133mm Dia):



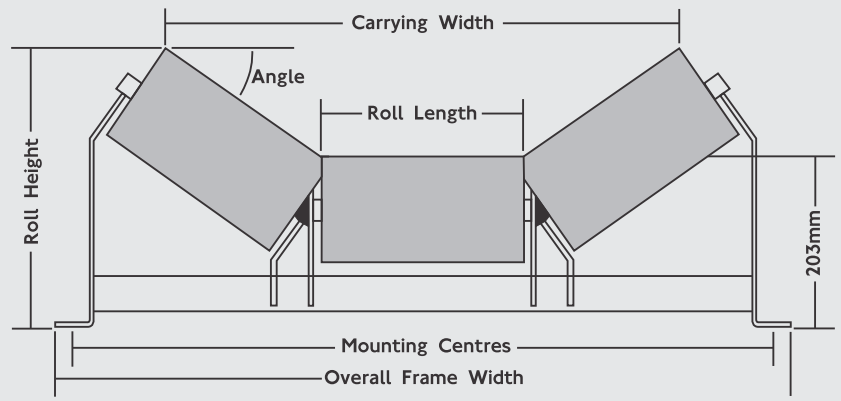
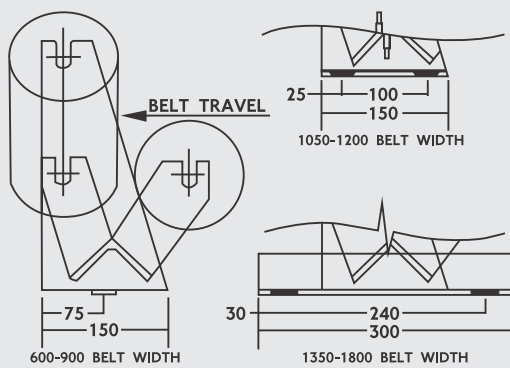
Part / Article Number:	IMPACT ROLL 500
Face Length:	200 mm
Gauge Length:	210 mm
Roll Diameter:	133 mm
Approx. Roll Mass:	4.52 kg

Impact Idler Roll (152mm Dia):



Part / Article Number:	IMPACT ROLL 500
Face Length:	200 mm
Gauge Length:	210 mm
Roll Diameter:	152 mm
Approx. Roll Mass:	5.04 kg

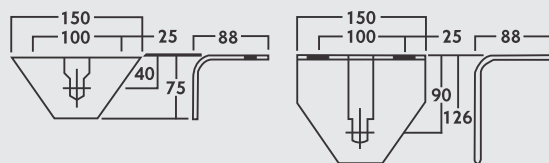
Frames and Brackets:



20° Angle

35° Angle

Return Drop Brackets

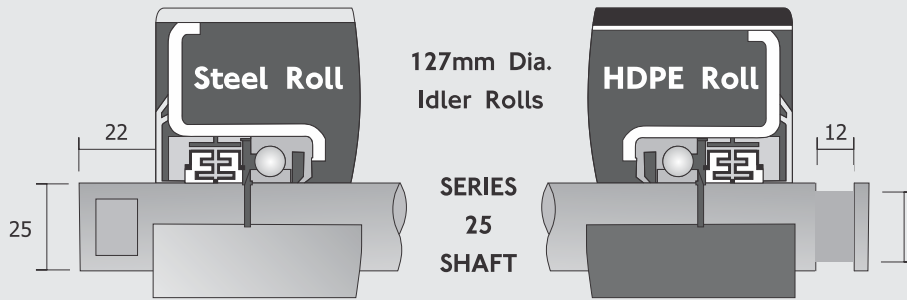


DROP BRACKET 40
1.15 kg

DROP BRACKET 90
1.27 kg

Part / Article Number:	T-FRAME-20 500	T-FRAME-35 450
Mounting Centres:	736 mm	736 mm
Roll Length:	200 mm	200 mm
Carrying Width:	556 mm	509 mm
Overall Frame Width:	796 mm	796 mm

SERIES 25 - 600mm WIDE CONVEYOR



Troughing Roll Dimensions:

Part / Article Number:	T-ROLL STEEL 600
Face Length:	240 mm
Gauge Length:	250 mm
Roll Diameter:	127 mm
Approx. Roll Mass Steel:	5.18 kg
Approx. Roll Mass HDPE:	3.20 kg

Flat Return Idler Roll:

Part / Article Number:	T-ROLL STEEL 600
Face Length:	688 mm
Gauge Length:	698 mm
Roll Diameter:	127 mm
Approx. Roll Mass Steel:	12.08 kg
Approx. Roll Mass HDPE:	6.20 kg

Impact Idler Roll (133mm Dia):



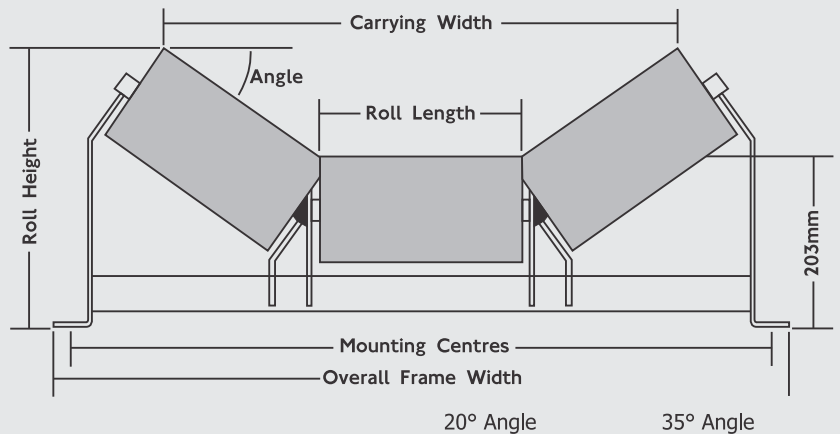
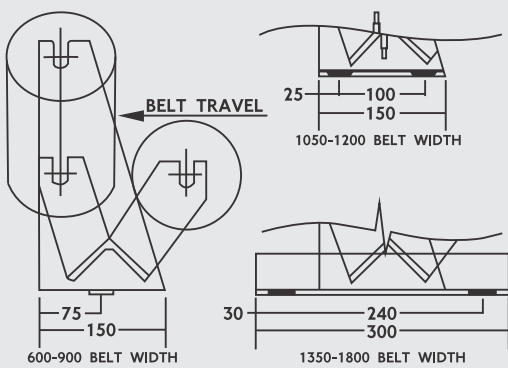
Part / Article Number:	IMPACT ROLL 600
Face Length:	240 mm
Gauge Length:	250 mm
Roll Diameter:	133 mm
Approx. Roll Mass:	5.38 kg

Impact Idler Roll (152mm Dia):

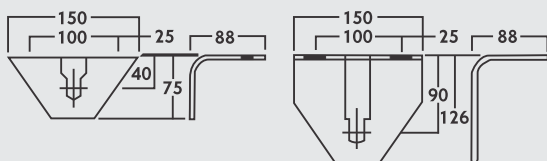


Part / Article Number:	IMPACT ROLL 600
Face Length:	240 mm
Gauge Length:	250 mm
Roll Diameter:	152 mm
Approx. Roll Mass:	7.00 kg

Frames and Brackets:



Return Drop Brackets

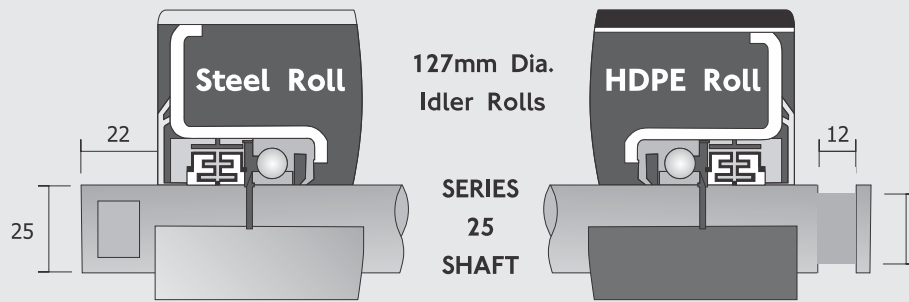


DROP BRACKET 40
1.15 kg

DROP BRACKET 90
1.27 kg

Part / Article Number:	T-FRAME-20 600	T-FRAME-35 600
Mounting Centres:	838 mm	838 mm
Roll Length:	240 mm	240 mm
Carrying Width:	668 mm	617 mm
Roll Height:	283 mm	338 mm
Overall Frame Width:	878 mm	878 mm
Overall Frame Mass:	8.03 kg	9.17 kg

SERIES 25 - 750mm WIDE CONVEYOR



Troughing Roll Dimensions:

Part / Article Number:	T-ROLL STEEL 750
Face Length:	290 mm
Gauge Length:	300 mm
Roll Diameter:	127 mm
Approx. Roll Mass Steel:	5.95 kg
Approx. Roll Mass HDPE:	3.50 kg

Flat Return Idler Roll:

Part / Article Number:	T-ROLL STEEL 750
Face Length:	840 mm
Gauge Length:	850 mm
Roll Diameter:	127 mm
Approx. Roll Mass Steel:	14.42 kg
Approx. Roll Mass HDPE:	7.20 kg

Impact Idler Roll (133mm Dia):



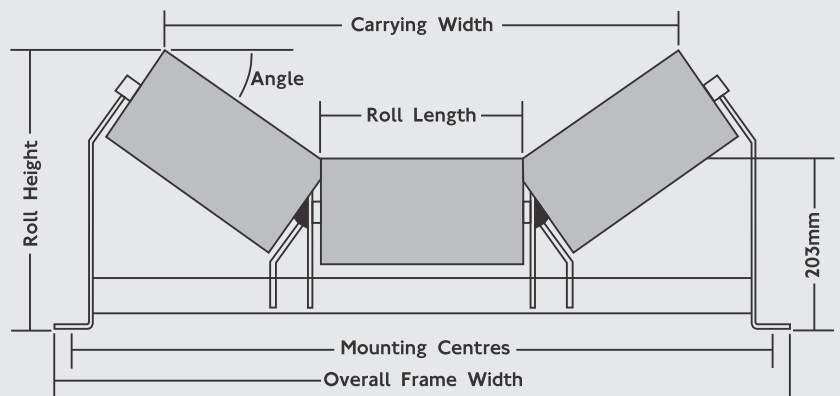
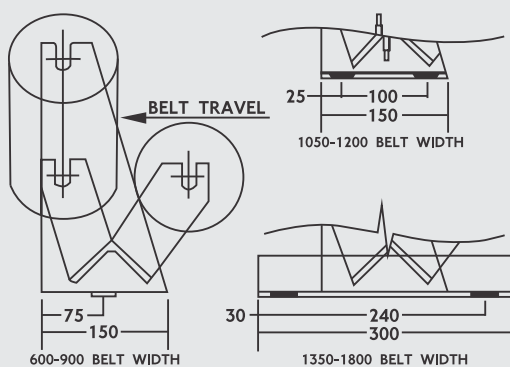
Part / Article Number:	IMPACT ROLL 750
Face Length:	290 mm
Gauge Length:	300 mm
Roll Diameter:	133 mm
Approx. Roll Mass:	6.51 kg

Impact Idler Roll (152mm Dia):



Part / Article Number:	IMPACT ROLL 750
Face Length:	290 mm
Gauge Length:	300 mm
Roll Diameter:	152 mm
Approx. Roll Mass:	7.80 kg

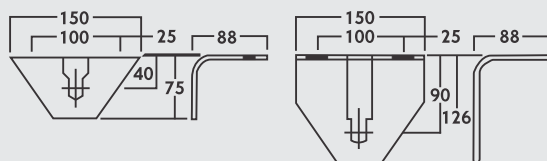
Frames and Brackets:



20° Angle

35° Angle

Return Drop Brackets

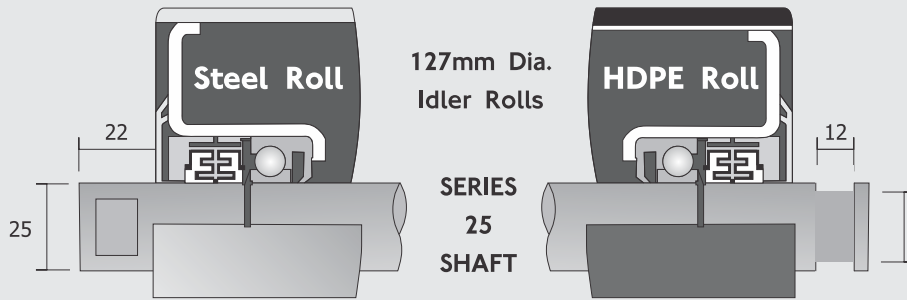


DROP BRACKET 40
1.15 kg

DROP BRACKET 90
1.27 kg

Part / Article Number:	T-FRAME-20 750	T-FRAME-35 750
Mounting Centres:	990 mm	990 mm
Roll Length:	290 mm	290 mm
Carrying Width:	812 mm	749 mm
Roll Height:	300 mm	367 mm
Overall Frame Width:	1030 mm	1030 mm
Overall Frame Mass:	9.68 kg	10.98 kg

SERIES 25 - 900mm WIDE CONVEYOR



Troughing Roll Dimensions:

Part / Article Number:	T-ROLL STEEL 900
Face Length:	340 mm
Gauge Length:	350 mm
Roll Diameter:	127 mm
Approx. Roll Mass Steel:	6.72 kg
Approx. Roll Mass HDPE:	3.90 kg

Flat Return Idler Roll:

Part / Article Number:	R-ROLL STEEL 900
Face Length:	994 mm
Gauge Length:	1004 mm
Roll Diameter:	127 mm
Approx. Roll Mass Steel:	16.80 kg
Approx. Roll Mass HDPE:	8.30 kg

Impact Idler Roll (133mm Dia):



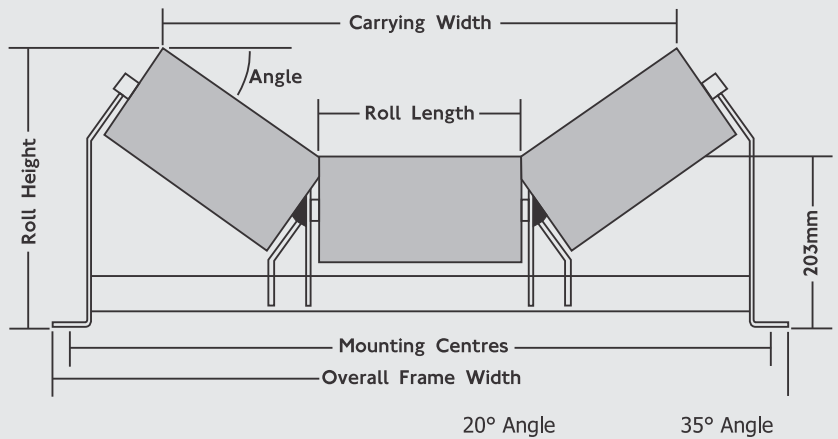
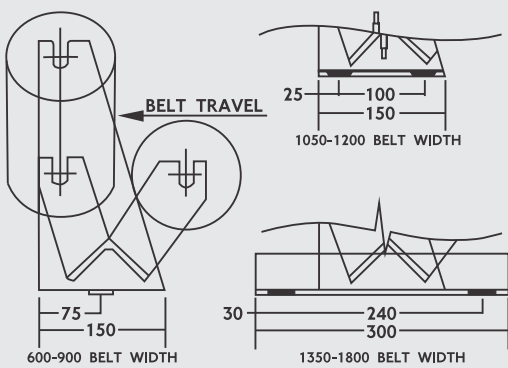
Part / Article Number:	IMPACT ROLL
Face Length:	340 mm
Gauge Length:	350 mm
Roll Diameter:	133 mm
Approx. Roll Mass:	7.33 kg

Impact Idler Roll (152mm Dia):

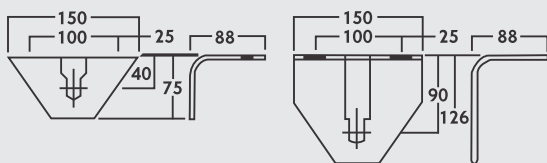


Part / Article Number:	IMPACT ROLL-900
Face Length:	340 mm
Gauge Length:	350 mm
Roll Diameter:	152 mm
Approx. Roll Mass:	9.10 kg

Frames and Brackets:



Return Drop Brackets

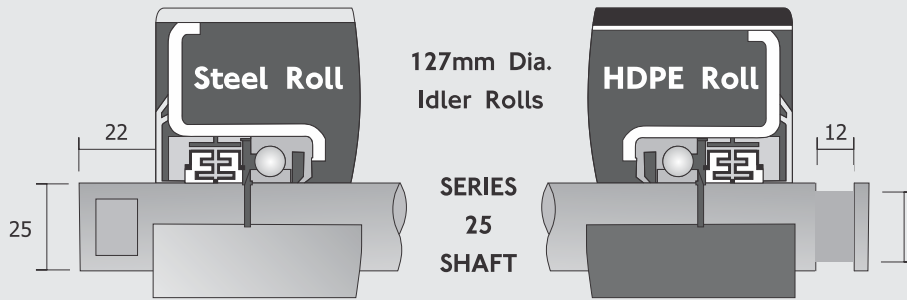


DROP BRACKET 40
1.15 kg

DROP BRACKET 90
1.27 kg

Part / Article Number:	T-FRAME-20 900	T-FRAME-35 750
Mounting Centres:	1144 mm	1144 mm
Roll Length:	340 mm	340 mm
Carrying Width:	956 mm	881 mm
Roll Height:	317 mm	396 mm
Overall Frame Width:	1184 mm	1184 mm
Overall Frame Mass:	10.85 kg	12.00 kg

SERIES 25 - 1050mm WIDE CONVEYOR



Troughing Roll Dimensions:

Part / Article Number:	T-ROLL STEEL 1050
Face Length:	390 mm
Gauge Length:	400 mm
Roll Diameter:	127 mm
Approx. Roll Mass Steel:	7.49 kg
Approx. Roll Mass HDPE:	4.20 kg

Flat Return Idler Roll:

Part / Article Number:	R-ROLL STEEL 1050
Face Length:	1146 mm
Gauge Length:	1156 mm
Roll Diameter:	127 mm
Approx. Roll Mass Steel:	19.14 kg
Approx. Roll Mass HDPE:	9.40 kg

Impact Idler Roll (133mm Dia):



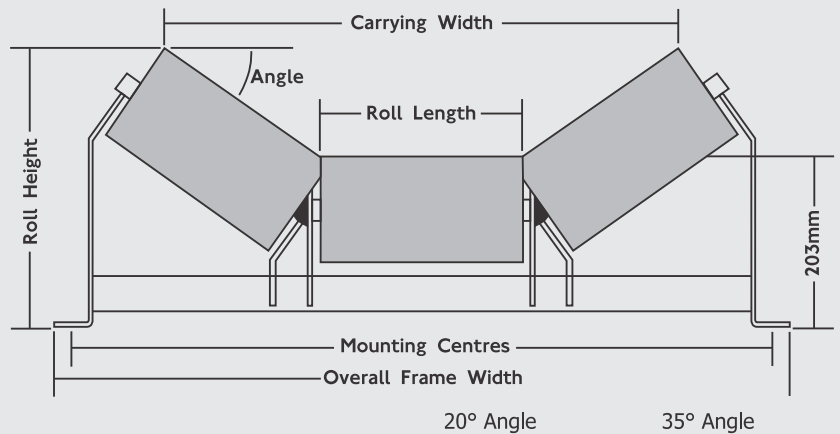
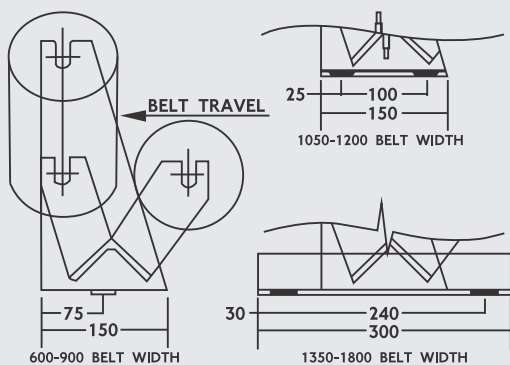
Part / Article Number:	IMPACT ROLL-1050
Face Length:	390 mm
Gauge Length:	400 mm
Roll Diameter:	133 mm
Approx. Roll Mass:	8.46 kg

Impact Idler Roll (152mm Dia):

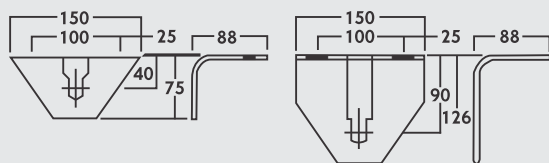


Part / Article Number:	IMPACT ROLL-1050
Face Length:	390 mm
Gauge Length:	400 mm
Roll Diameter:	152 mm
Approx. Roll Mass:	10.40 kg

Frames and Brackets:



Return Drop Brackets

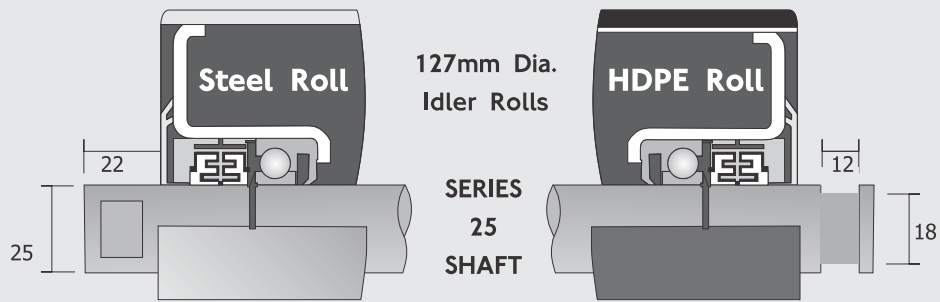


DROP BRACKET 40
1.15 kg

DROP BRACKET 90
1.27 kg

Part / Article Number:	T-FRAME-20 1050	T-FRAME-35 1050
Mounting Centres:	1296 mm	1269 mm
Roll Length:	390 mm	390 mm
Carrying Width:	100 mm	1013 mm
Roll Height:	334 mm	424 mm
Overall Frame Width:	1336 mm	1336 mm
Overall Frame Mass:	13.58 kg	14.56 kg

SERIES 25 - 1200MM WIDE CONVEYOR



Troughing Roll Dimensions:

Part / Article Number:	T-ROLL STEEL 1200
Face Length:	450 mm
Gauge Length:	460 mm
Roll Diameter:	127 mm
Approx. Roll Mass Steel:	8.42 kg
Approx. Roll Mass HDPE:	4.60 kg

Flat Return Idler Roll:

Part / Article Number:	R-ROLL STEEL 1200
Face Length:	1298 mm
Gauge Length:	1308 mm
Roll Diameter:	127 mm
Approx. Roll Mass Steel:	21.48 kg
Approx. Roll Mass HDPE:	10.40 kg

Impact Idler Roll (133mm Dia):



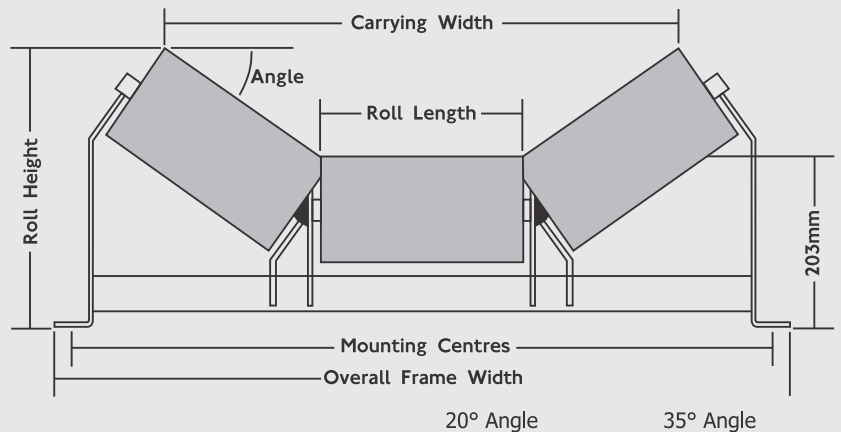
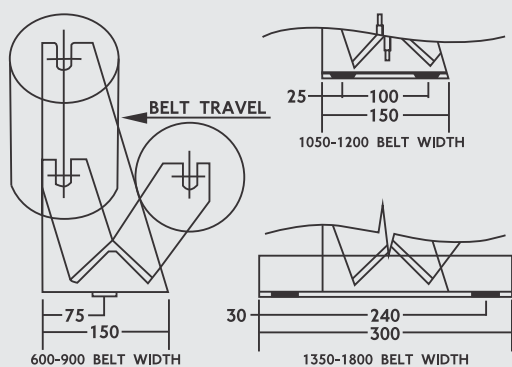
Part / Article Number:	IMPACT ROLL 1200
Face Length:	450 mm
Gauge Length:	460 mm
Roll Diameter:	133 mm
Approx. Roll Mass:	9.69 kg

Impact Idler Roll (152mm Dia):

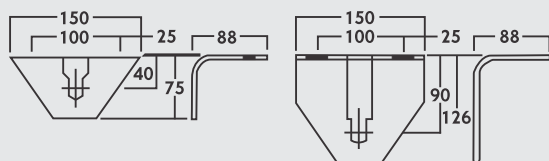


Part / Article Number:	IMPACT ROLL 1200
Face Length:	450 mm
Gauge Length:	460 mm
Roll Diameter:	152 mm
Approx. Roll Mass:	11.80 kg

Frames and Brackets:



Return Drop Brackets

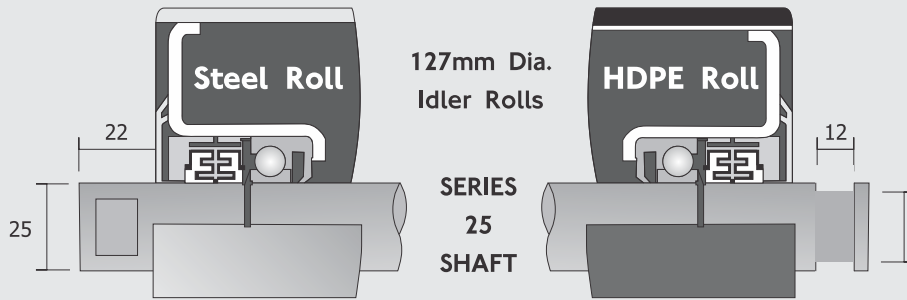


DROP BRACKET 40
1.15 kg

DROP BRACKET 90
1.27 kg

Part / Article Number:	T-FRAME-20 1200	T-FRAME-35 1050
Mounting Centres:	1448 mm	1448 mm
Roll Length:	450 mm	450 mm
Carrying Width:	1273 mm	1171 mm
Roll Height:	354 mm	459 mm
Overall Frame Width:	1488 mm	1488 mm
Overall Frame Mass:	14.84 kg	15.89 kg

SERIES 25 - 1350MM WIDE CONVEYOR



Troughing Roll Dimensions:

Part / Article Number:	T-ROLL STEEL 1350
Face Length:	500 mm
Gauge Length:	510 mm
Roll Diameter:	127 mm
Approx. Roll Mass Steel:	9.19 kg
Approx. Roll Mass HDPE:	5.00 kg

Flat Return Idler Roll:

Part / Article Number:	T-ROLL STEEL 1350
Face Length:	1450 mm
Gauge Length:	1460 mm
Roll Diameter:	127 mm
Approx. Roll Mass Steel:	23.82 kg
Approx. Roll Mass HDPE:	11.50 kg

Impact Idler Roll (133mm Dia):



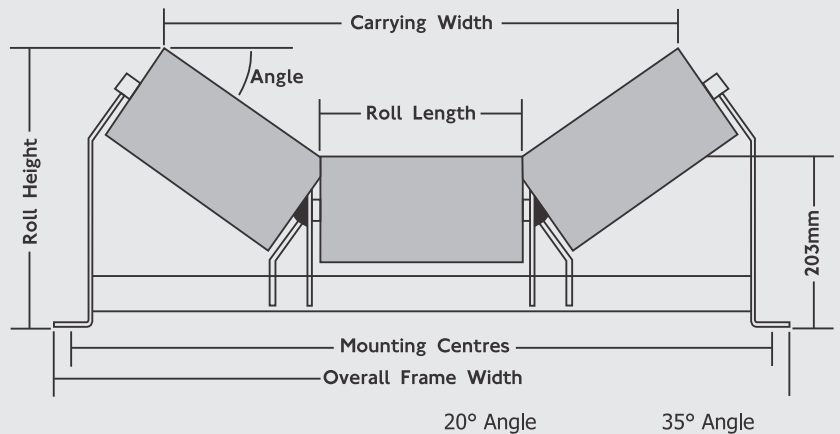
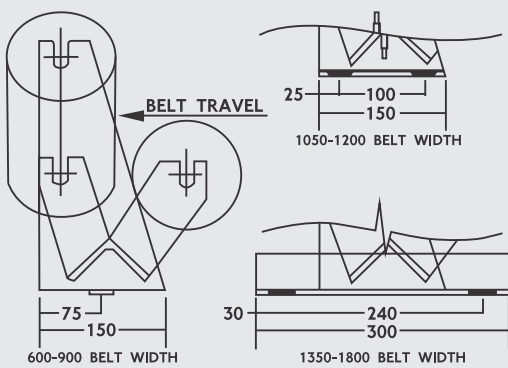
Part / Article Number:	T-ROLL STEEL 1350
Face Length:	500 mm
Gauge Length:	510 mm
Roll Diameter:	133 mm
Approx. Roll Mass:	10.51 kg

Impact Idler Roll (152mm Dia):

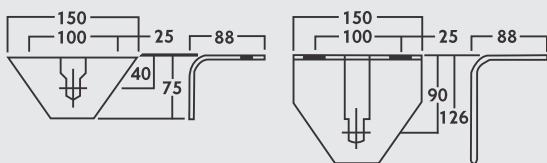


Part / Article Number:	T-ROLL STEEL 1350
Face Length:	500 mm
Gauge Length:	510 mm
Roll Diameter:	152 mm
Approx. Roll Mass:	13.10 kg

Frames and Brackets:



Return Drop Brackets

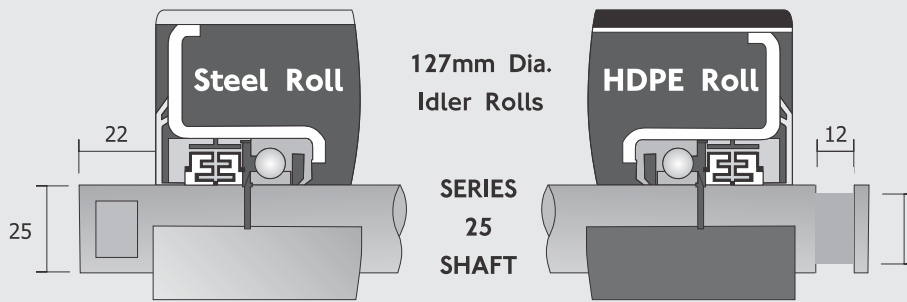


DROP BRACKET 40
1.15 kg

DROP BRACKET 90
1.27 kg

Part / Article Number:	T-FRAME-20 1200	T-FRAME-35 1050
Mounting Centres:	1600 mm	1600 mm
Roll Length:	500 mm	500 mm
Carrying Width:	1417 mm	1303 mm
Roll Height:	371 mm	487 mm
Overall Frame Width:	1660 mm	1660 mm
Overall Frame Mass:	20.68 kg	22.56 kg

SERIES 25 - 1500MM WIDE CONVEYOR



Troughing Roll Dimensions:

Part / Article Number:	T-ROLL STEEL 1500
Face Length:	560 mm
Gauge Length:	570 mm
Roll Diameter:	127 mm
Approx. Roll Mass Steel:	10.11 kg
Approx. Roll Mass HDPE:	5.40 kg

Flat Return Idler Roll:

Part / Article Number:	T-ROLL STEEL 1500
Face Length:	1602 mm
Gauge Length:	51612 mm
Roll Diameter:	127 mm
Approx. Roll Mass Steel:	26.16 kg
Approx. Roll Mass HDPE:	12.60 kg

Impact Idler Roll (133mm Dia):



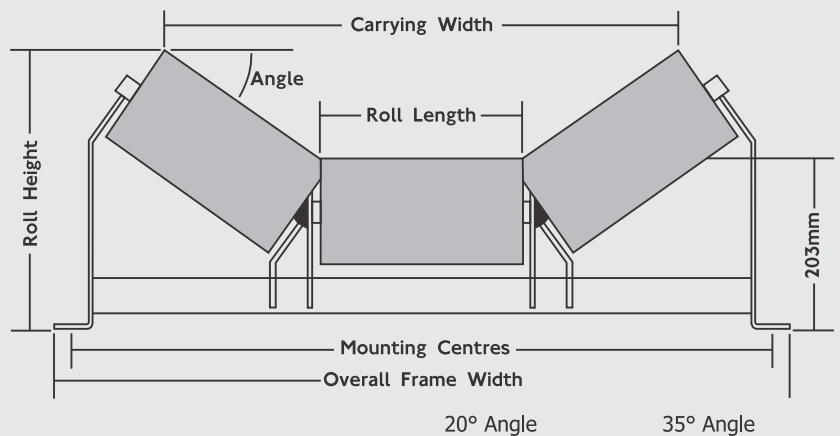
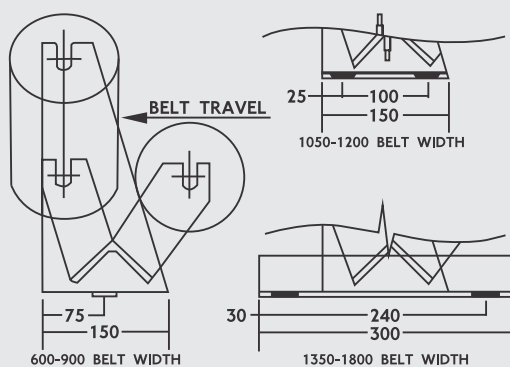
Part / Article Number:	IMPACT ROLL 1500
Face Length:	560 mm
Gauge Length:	570 mm
Roll Diameter:	133 mm
Approx. Roll Mass:	13.7 kg

Impact Idler Roll (152mm Dia):

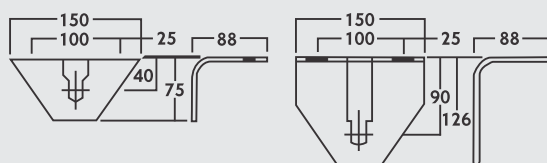


Part / Article Number:	IMPACT ROLL 1500
Face Length:	560 mm
Gauge Length:	570 mm
Roll Diameter:	152 mm
Approx. Roll Mass:	14.50 kg

Frames and Brackets:



Return Drop Brackets

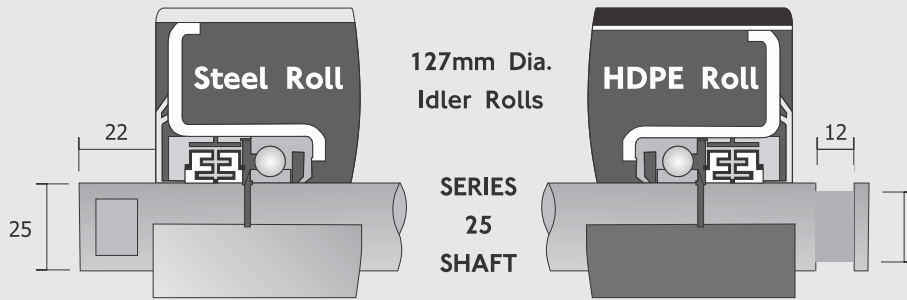


DROP BRACKET 40
1.15 kg

DROP BRACKET 90
1.27 kg

Part / Article Number:	T-FRAME-20 1500	T-FRAME-35 1500
Mounting Centres:	1752 mm	1752 mm
Roll Length:	560 mm	560 mm
Carrying Width:	1589 mm	1461 mm
Roll Height:	392 mm	522 mm
Overall Frame Width:	1812 mm	1812 mm
Overall Frame Mass:	23.87 kg	25.89 kg

SERIES 25 - 1650MM WIDE CONVEYOR



Troughing Roll Dimensions:

Part / Article Number:	Special
Face Length:	610 mm
Gauge Length:	620 mm
Roll Diameter:	127 mm
Approx. Roll Mass Steel:	11.2 kg
Approx. Roll Mass HDPE:	8.42 kg

Flat Return Idler Roll:

Part / Article Number:	Special
Face Length:	1754 mm
Gauge Length:	1764 mm
Roll Diameter:	127 mm
Approx. Roll Mass Steel:	27.50 kg
Approx. Roll Mass HDPE:	23.20 kg

Impact Idler Roll (133mm Dia):



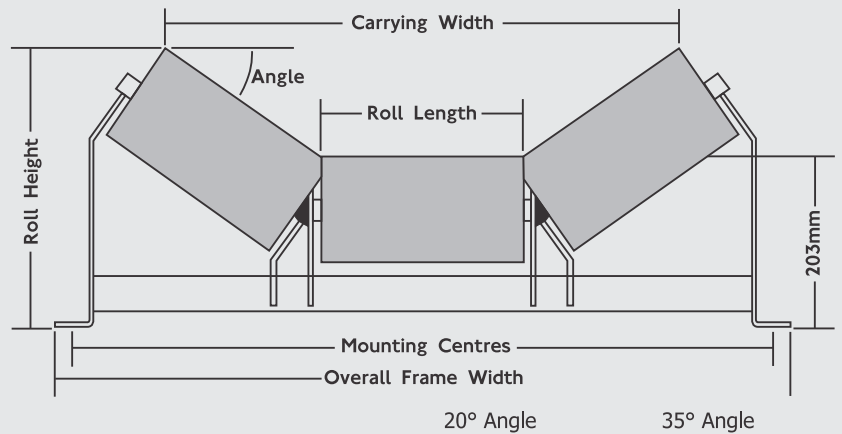
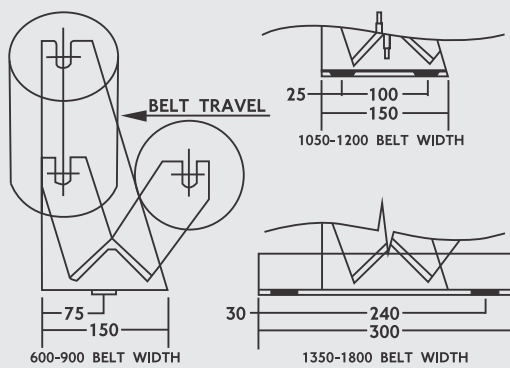
Part / Article Number:	Special
Face Length:	610 mm
Gauge Length:	620 mm
Roll Diameter:	133 mm
Approx. Roll Mass:	11.45 kg

Impact Idler Roll (152mm Dia):

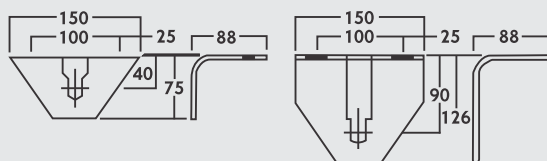


Part / Article Number:	Special
Face Length:	610 mm
Gauge Length:	620 mm
Roll Diameter:	152 mm
Approx. Roll Mass:	13.43 kg

Frames and Brackets:



Return Drop Brackets

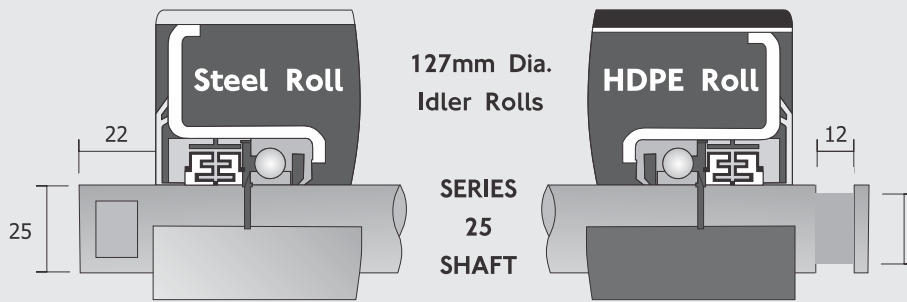


DROP BRACKET 40
1.15 kg

DROP BRACKET 90
1.27 kg

Part / Article Number:	SPECIAL 20 DEG	SPECIAL 35 DEG
Mounting Centres:	1904 mm	1904 mm
Roll Length:	610 mm	610 mm
Carrying Width:	1817 mm	1591 mm
Overall Frame Width:	1964 mm	1964 mm

SERIES 25 - 1800MM WIDE CONVEYOR



Troughing Roll Dimensions:

Part / Article Number:	T-ROLL STEEL 1800
Face Length:	660 mm
Gauge Length:	670 mm
Roll Diameter:	127 mm
Approx. Roll Mass Steel:	11.65 kg
Approx. Roll Mass HDPE:	6.10 kg

Flat Return Idler Roll:

Part / Article Number:	T-ROLL STEEL 1800
Face Length:	1908 mm
Gauge Length:	1918 mm
Roll Diameter:	127 mm
Approx. Roll Mass Steel:	30.87 kg
Approx. Roll Mass HDPE:	14.50 kg

Impact Idler Roll (133mm Dia):



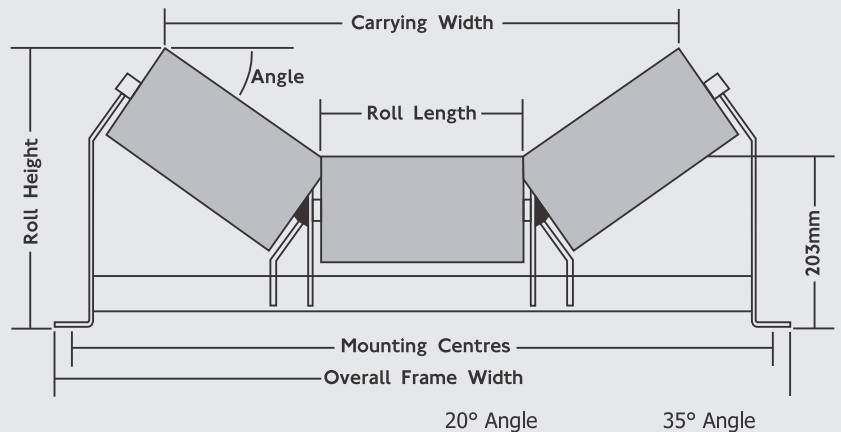
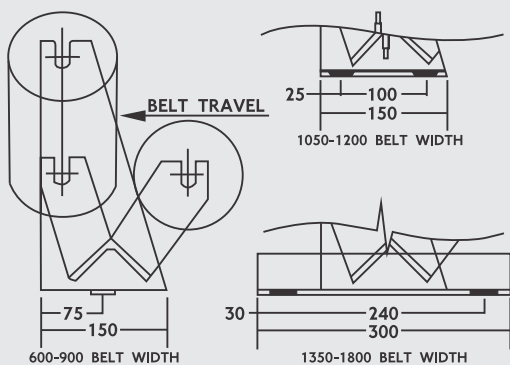
Part / Article Number:	IMPACT ROLL 1800
Face Length:	660 mm
Gauge Length:	670 mm
Roll Diameter:	133 mm
Approx. Roll Mass:	15.8 kg

Impact Idler Roll (152mm Dia):

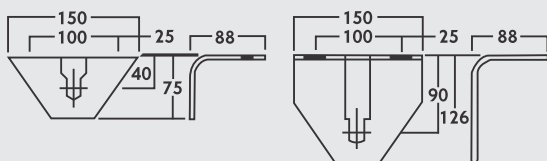


Part / Article Number:	IMPACT ROLL 1800
Face Length:	660 mm
Gauge Length:	670 mm
Roll Diameter:	152 mm
Approx. Roll Mass:	16.60 kg

Frames and Brackets:



Return Drop Brackets

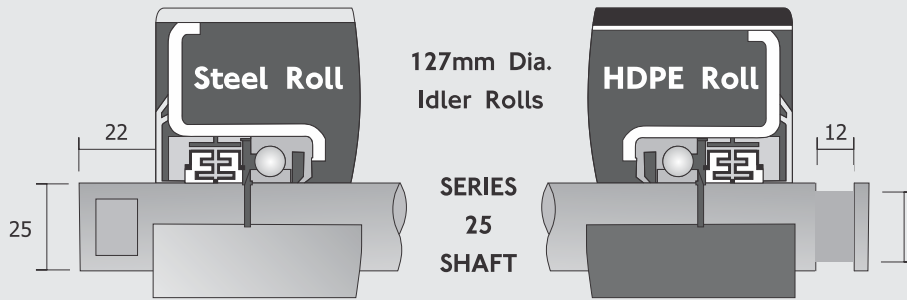


DROP BRACKET 40
1.15 kg

DROP BRACKET 90
1.27 kg

Part / Article Number:	T-FRAME-20 1800	T-FRAME 1800
Mounting Centres:	2058 mm	2058 mm
Roll Length:	660 mm	660 mm
Carrying Width:	1877 mm	1723 mm
Roll Height:	426 mm	579 mm
Overall Frame Width:	2118 mm	2118 mm
Approx. Frame Mass:	31.95 kg	36.92 kg

SERIES 25 - 2100mm WIDE CONVEYOR



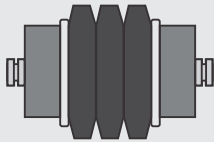
Troughing Roll Dimensions:

Part / Article Number:	T-ROLL STEEL 2100
Face Length:	765 mm
Gauge Length:	775 mm
Roll Diameter:	127 mm
Approx. Roll Mass Steel:	13.5 kg
Approx. Roll Mass HDPE:	2.90 kg

Flat Return Idler Roll:

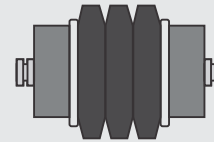
Part / Article Number:	R-ROLL STEEL 2100
Face Length:	2212 mm
Gauge Length:	2222 mm
Roll Diameter:	127 mm
Approx. Roll Mass Steel:	38 kg
Approx. Roll Mass HDPE:	5.10 kg

Impact Idler Roll (133mm Dia):



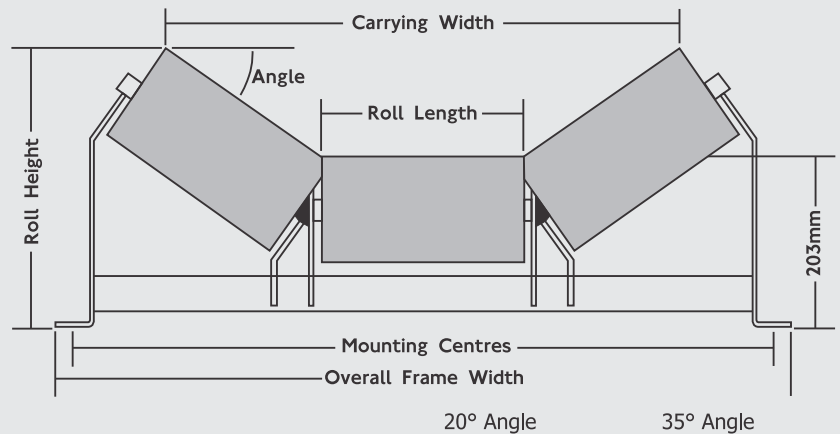
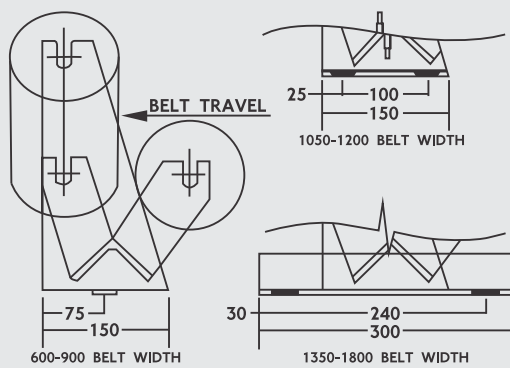
Part / Article Number:	T-ROLL STEEL 2100
Face Length:	765 mm
Gauge Length:	775 mm
Roll Diameter:	133 mm
Approx. Roll Mass:	- kg

Impact Idler Roll (152mm Dia):

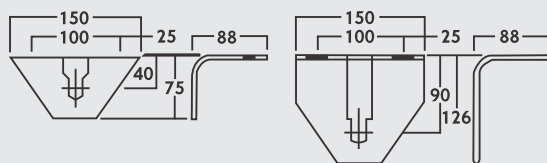


Part / Article Number:	T-ROLL STEEL 2100
Face Length:	765 mm
Gauge Length:	775 mm
Roll Diameter:	152 mm
Approx. Roll Mass:	23 kg

Frames and Brackets:



Return Drop Brackets

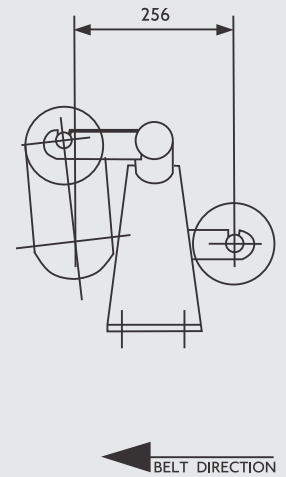
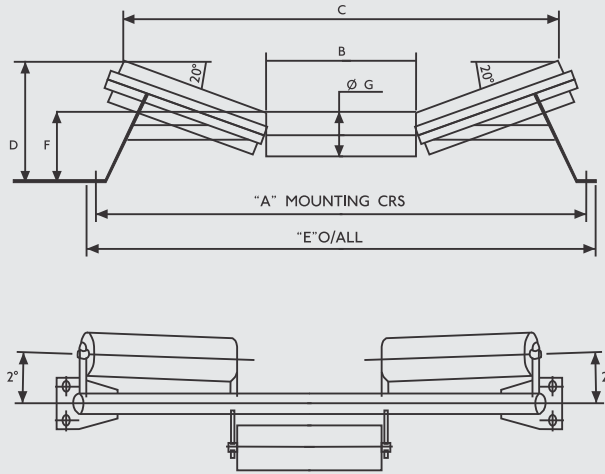
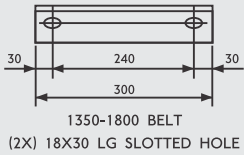
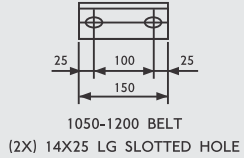
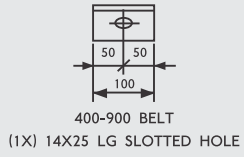


DROP BRACKET 40
1.15 kg

DROP BRACKET 90
1.27 kg

Part / Article Number:	T-FRAME-20 2100	T-FRAME-35 2100
Mounting Centres:	2362 mm	2058 mm
Roll Length:	765 mm	660 mm
Carrying Width:	2179 mm	1723 mm
Roll Height:	462 mm	579 mm
Overall Frame Width:	2442 mm	2118 mm
Approx. Frame Mass:	47 kg	36.92 kg

SERIES 25 - TUBULAR FRAME



35 DEGREE FRAME

Ø127 STEEL ROLLERS

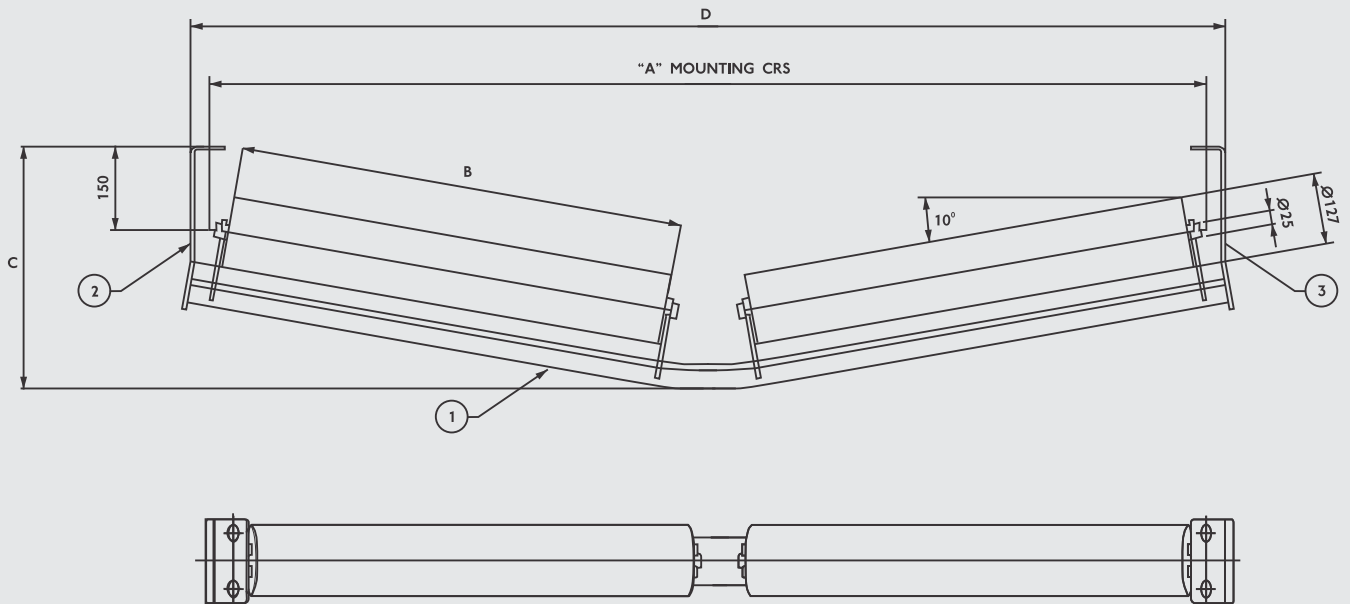
BELT WIDTH	A	B	C	D	E	F	G
400	634	170	433	300	694	203	127
450	686	190	486	312	746	203	127
500	736	200	513	318	796	203	127
600	838	240	618	341	898	203	127
750	990	290	750	369	1050	203	127
900	1144	340	882	398	1204	203	127
1050	1296	390	1014	427	1356	203	127
1200	1448	450	1172	461	1508	203	127
1350	1600	500	1304	490	1660	203	127
1500	1752	560	1462	524	1812	203	127
1650	1904	610	1594	553	1964	203	127
1800	2058	660	1726	582	2118	203	127

20 DEGREE FRAME

Ø127 STEEL ROLLERS

BELT WIDTH	A	B	C	D	E	F	G
400	634	170	480	259	694	203	127
450	686	190	538	266	746	203	127
500	736	200	567	269	796	203	127
600	838	240	682	283	898	203	127
750	990	290	826	300	1050	203	127
900	1144	340	970	317	1204	203	127
1050	1296	390	1114	333	1356	203	127
1200	1448	450	1287	354	1508	203	127
1350	1600	500	1432	370	1660	203	127
1500	1752	560	1605	391	1812	203	127
1650	1904	610	1749	408	1964	203	127
1800	2058	660	1893	424	2118	203	127

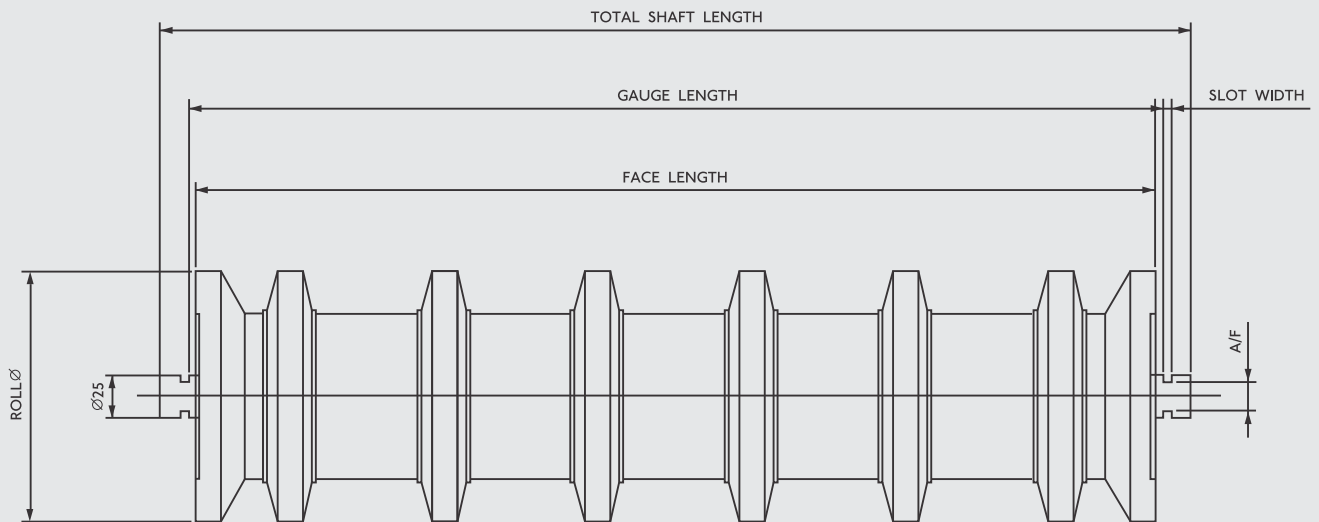
SERIES 25 - V-RETURN IDLERS



Ø 127 STEEL ROLLERS

BELT WIDTH	A	B	C	D	E	F	SLOTTED HOLES	NO. OF HOLES
600	838	300	357	908	100	150	Ø 14X25	4
750	990	400	371	1060	100	150	Ø 14X25	4
900	1144	475	384	1214	100	150	Ø 14X25	4
1050	1296	560	398	1366	100	150	Ø 14X25	4
1200	1448	635	411	1518	100	150	Ø 14X25	4
1350	1600	720	424	1670	100	150	Ø 14X25	4
1500	1752	800	438	1822	100	150	Ø 14X25	4
1650	1904	885	451	1974	100	150	Ø 14X25	4
1800	2058	965	464	2128	100	150	Ø 14X25	4
2100	2362	1146	492	2432	150	200	Ø 18X30	4
2400	2268	1298	519	2738	240	300	Ø 18X30	4

SERIES 25 - DISC-RETURN IDLERS



Rubber Disc Rollers

BELT-WIDTH	ROLL-FACE	ROLL-GAUGE	TOTAL SHAFT
400	484	494	528
450	536	546	580
500	586	594	630
600	688	698	732
750	840	850	884
900	994	1004	1038
1050	1146	1156	1190
1200	1298	1308	1342
1350	1450	1460	1494
1500	1602	1612	1646
1650	1754	1764	1798
1800	1908	1918	1952
2100	2212	2222	2256

SABS STANDARDS

SABS Published Standards

SANS NUMBER	ED	SANSIFIED	TITLE	DATE APPROVED	REAFFIRMATION DUE
SANS 1313-1:2012	4	Y	Conveyor belt idlers Part 1: Troughed belt conveyor idlers (metallic and non-metallic) for idler roller rotational speeds of up to 750 revolutions per minute.	2012-02-17	2017-02-17
SANS 1313-2:2012	2	Y	Conveyor belt idlers Part 2: Link suspended idlers and fixed-form suspended idlers (metallic and non-metallic) for idler rotational speeds of up to 750 revolutions per minute.	2012-02-17	2017-02-17
SANS 1313-3:2012	1	Y	Conveyor belt idlers Part 3: Performance specifications for troughed belt conveyor idlers (metallic and non-metallic) for idler roller rotational speeds of up to 750 revolutions per minute.	2012-02-17	2017-02-17

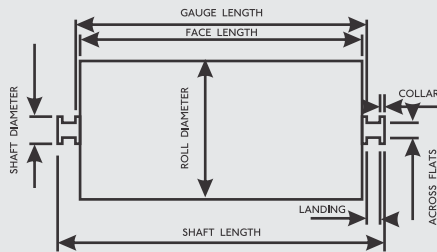
ROLLER QUESTIONNAIRE

BRANCH DETAILS

NAME:	<input type="text"/>	DATE:	<input type="text"/>
BRANCH:	<input type="text"/>	EMAIL:	<input type="text"/>
CUSTOMER:	<input type="text"/>	DATE:	<input type="text"/>
TELEPHONE:	<input type="text"/>	EMAIL:	<input type="text"/>
SIGNATURE:	<input type="text"/>	EMAIL:	<input type="text"/>
CONVEYOR NO.:	<input type="text"/>	EMAIL:	<input type="text"/>

ESSENTIAL ROLLER INFORMATION HIGHLIGHTED MUST BE COMPLETED

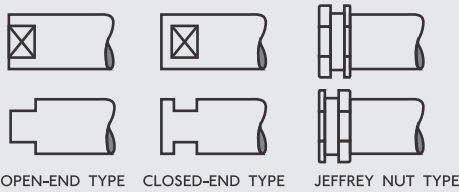
ROLLER SKETCH



DIMENSIONS REQUIRED

FACE LENGTH	<input type="text"/>	mm
GAUGE LENGTH	<input type="text"/>	mm
ROLL DIAMETER	<input type="text"/>	mm
OVERALL SHAFT LENGTH	<input type="text"/>	mm
SHAFT DIAMETER	<input type="text"/>	mm
ACROSS FLATS	<input type="text"/>	mm
LANDING	<input type="text"/>	mm
COLLAR	<input type="text"/>	mm
SHELL THICKNESS	<input type="text"/>	mm

STANDARD SHAFT CONFIGURATIONS



OPEN-END TYPE CLOSED-END TYPE JEFFREY NUT TYPE

OPEN-END SHAFT	<input type="checkbox"/>	JEFFREY NUT	<input type="checkbox"/>	ANTI-SIEZE	<input type="checkbox"/>
CLOSED-END SHAFT	<input type="checkbox"/>	ROLLER BRAKE	<input type="checkbox"/>	ANTI-STATIC	<input type="checkbox"/>

CARRYING AND RETURN ROLLERS-TYPES

3-ROLL THROUGH	<input type="checkbox"/>
5-ROLL THROUGH	<input type="checkbox"/>
STEEL	<input type="checkbox"/>
HYBRID	<input type="checkbox"/>
H.D.P.E.	<input type="checkbox"/>
COMPOSITE	<input type="checkbox"/>
IMPACT	<input type="checkbox"/>
PICKING IDLER ROLLERS	<input type="checkbox"/>
FLAT RETURN	<input type="checkbox"/>
V-RETURN	<input type="checkbox"/>
RUBBER DISC	<input type="checkbox"/>

CARRYING IDLER FRAMES

IN-LINE	<input type="checkbox"/>
OFF-SET	<input type="checkbox"/>
PICKING	<input type="checkbox"/>
20° TROUGH	<input type="checkbox"/>
35° TROUGH	<input type="checkbox"/>
45° TROUGH	<input type="checkbox"/>

RETURN IDLER FRAMES

IN-LINE	<input type="checkbox"/>
OFF-SET	<input type="checkbox"/>
PICKING	<input type="checkbox"/>

V-RETURN FRAMES

5-DEG TROUGH	<input type="checkbox"/>
10-DEG TROUGH	<input type="checkbox"/>
STEEL	<input type="checkbox"/>

STANDARD SERIES INFORMATION

20	14mm flats, 12mm wide
25	18mm flats, 12mm wide
30	22mm flats, 14mm wide
35	22mm flats, 14mm wide
40	32mm flats, 14mm wide

GARLAND ROLLERS

2-ROLL	<input type="checkbox"/>
3-ROLL	<input type="checkbox"/>
5-ROLL	<input type="checkbox"/>
SHACKLE	<input type="checkbox"/>
OPEN HOOK	<input type="checkbox"/>
CHAIN	<input type="checkbox"/>

PLEASE PROVIDE FRAME OR GARLAND ARRANGEMENT DRAWINGS FOR NON-STD EQUIPMENT

BRINGING THE WORLD'S BEST BRANDS TO YOU

In the bid to procure cutting-edge components at competitive prices, BMG is able to capitalise on long-standing relationships with leading manufacturers dedicated to excellence in design and production.

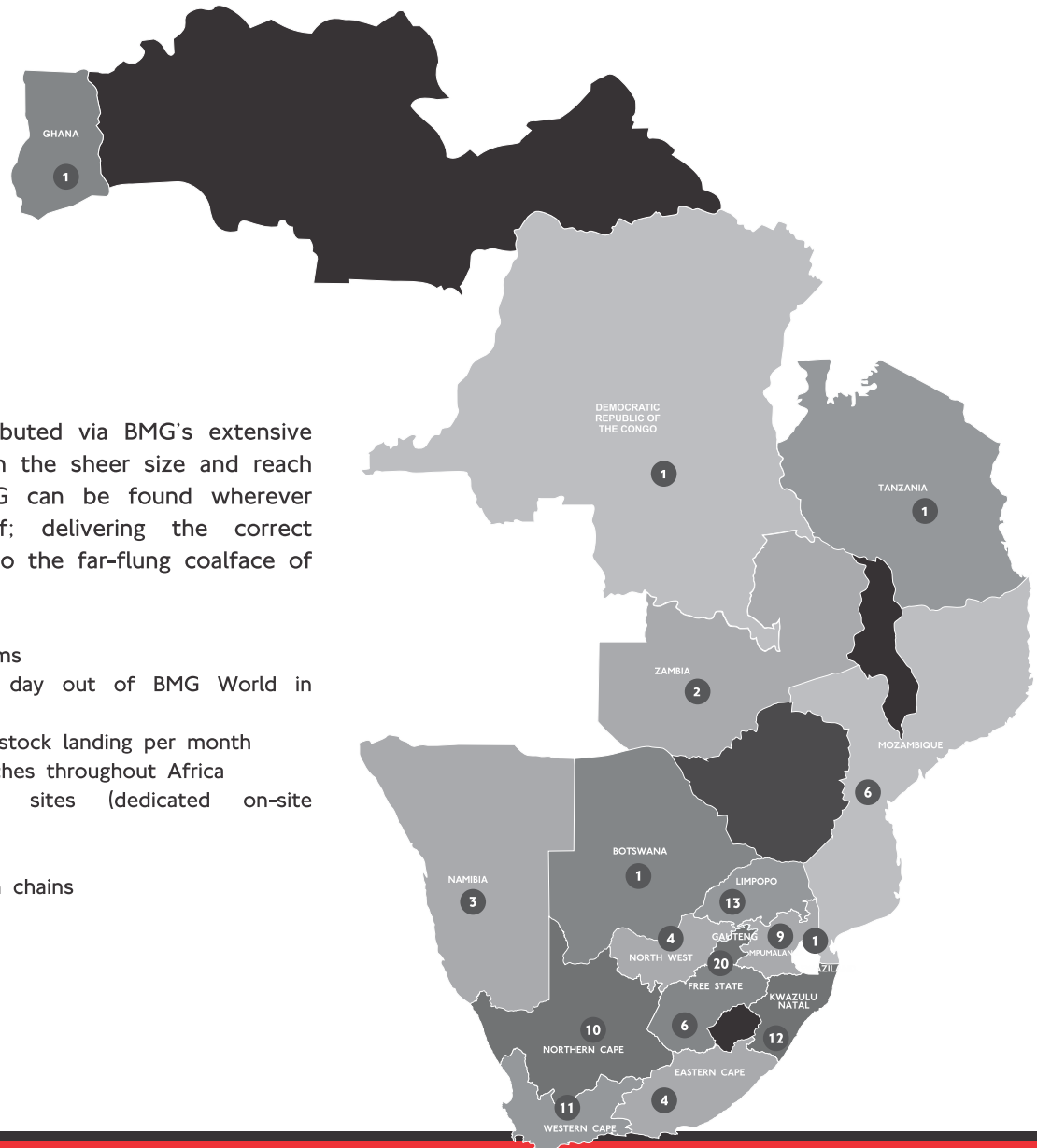
Products are imported from around the globe and brought to BMG's strategically located distribution facilities and regional service centres via the main distribution hub in Johannesburg - BMG World. A world-class facility boasting 308 000m³ of fully stocked warehouse space, an accredited training facility and unlimited engineering capabilities.

Preferred Brands:



Our Extensive Coverage Throughout Africa

105
BRANCHES



Products and services are distributed via BMG's extensive distribution network. It's through the sheer size and reach of our infrastructure, that BMG can be found wherever industry has established itself; delivering the correct components at the right time, to the far-flung coalface of our customers' operations.

- Over 300 000 product line items
- Around 4 500 transfers per day out of BMG World in Johannesburg
- Over 1 000 tons of imported stock landing per month
- 105 strategically situated branches throughout Africa
- Vendor Managed Inventory sites (dedicated on-site stockholding)
- International exports
- Locally empowered distribution chains

Be PART

24 HR TOLL-FREE EMERGENCY
BRANCH HELPLINE:

0800 022 224

WEBSITE:

www.bmgworld.net



 An Invicta Holdings Group Company

BEARINGS • SEALS • POWER TRANSMISSION • DRIVES & MOTORS
MATERIALS HANDLING • FASTENERS & TOOLS • HYDRAULICS
PNEUMATICS • FILTRATION • LUBRICATION • VALVES
TECHNICAL RESOURCES • FIELD SERVICES

